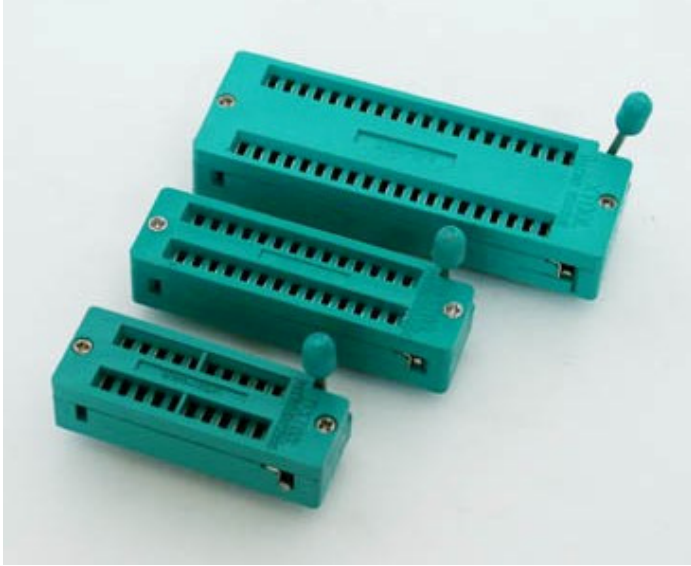


ZIP DIP SOCKET 2.54mm(0.100") / 鎖緊雙列



Features:

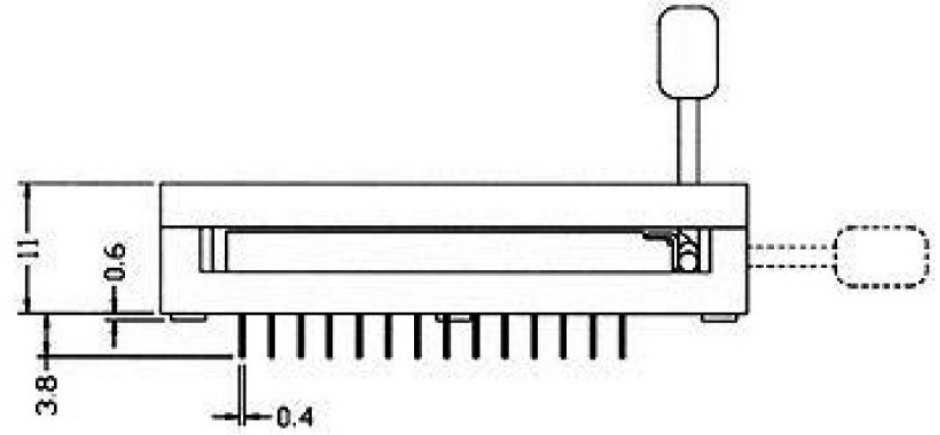
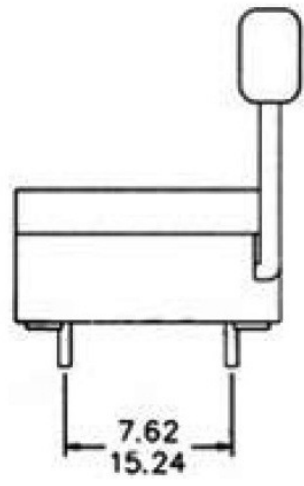
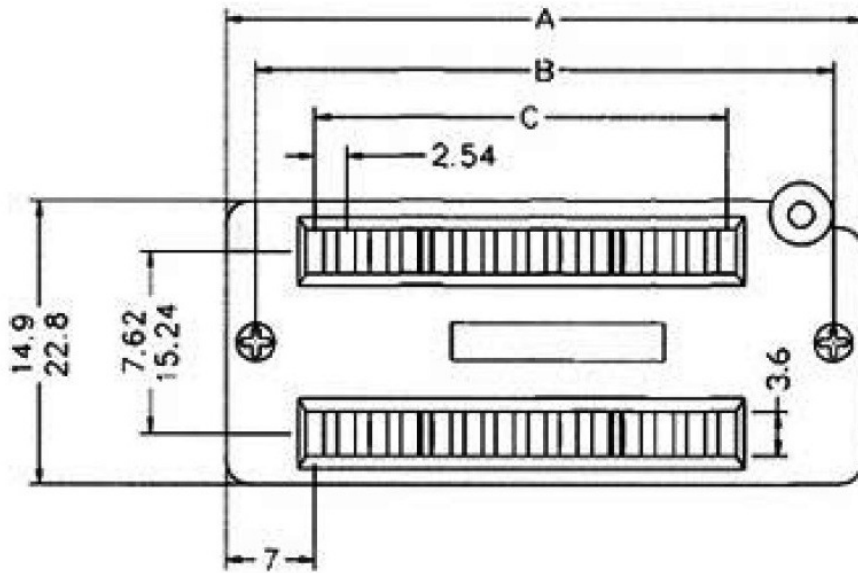
- * For DIPs with ~0.1" lead spacing
- * Lever actuated zero insertion force mechanism
- * Socket easily disassembles for reparability
- * Socket contact point of 0.110" below top surface of socket.

Material:

Housing: 30% Glass filled PBT UL94V-0
Contacts: Phosphor Bronze
Plating: Gold plated: 3 μ " over 50 μ " nickel
Tin plated: 100 μ " over 50 μ " nickel

Electrical Characteristics:

Current Rating: 1 A
Insulator Resistance: 5000 M Ω min. at DC 500 V
Contact Resistance: 20 m Ω max. at DC 100 mA
Operating Temperature: -55 $^{\circ}$ C ~ +105 $^{\circ}$ C



Position	A	B	C
14	33.2	28.7	15.24
16	35.7	31.2	17.78
20	40.8	36.3	22.86
24	45.9	41.4	27.94
24	45.9	41.4	27.94
28	51.0	46.5	33.02
32	56.1	51.6	38.10
40	66.2	61.7	48.26
48	76.4	71.9	58.42