

Subminiature Joystick - Model 802

- * **Dual Axis**
- * **Spring Return**
- * **Optional Pushbutton**
- * **Low Cost**

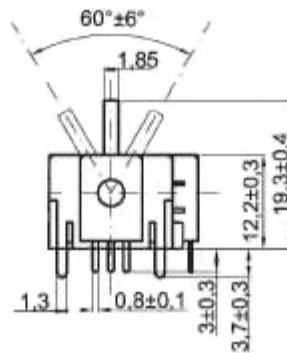
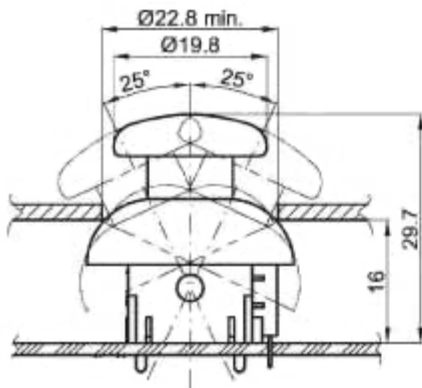


Without Pushbutton

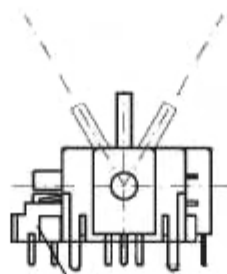
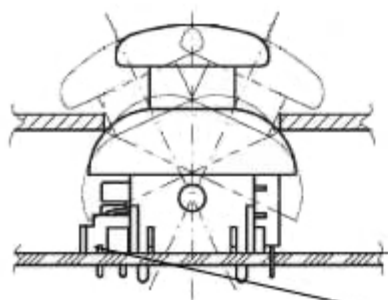
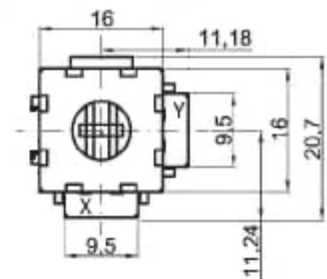


With Pusbutton

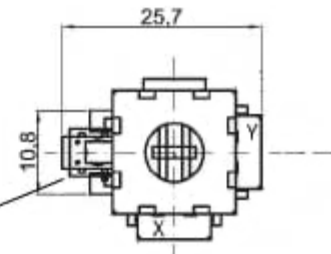
Joystick Dimensions (mm)



Without Pushbutton (Type 2)

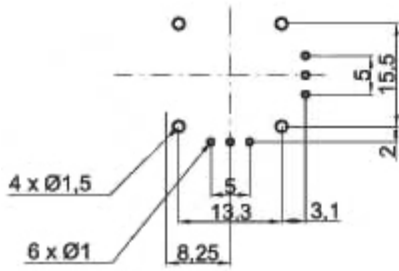


With Pushbutton (Type 3)

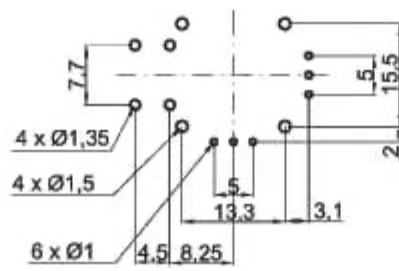


Pushbutton Switch

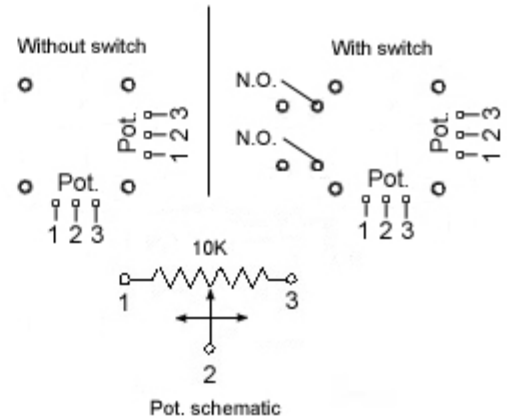
Joystick Panel Dimensions (mm) and Electrical Connections



Without Pushbutton (type 2)



With Pushbutton (type 3)



Joystick Technical Data

Handle Operating Angle	$\pm 30^\circ$ (60° overall); X & Y Axis
Center Return Accuracy	$\pm 5\%$
Handle Pattern	360° (omni-directional)
Max. Operating Force	<20 mN
Weight	6 grams
Life Span	100,000 typical

Joystick Potentiometer Specifications

Element	Carbon Film
Resistance	10K ohms $\pm 30\%$
Operating Temperature	-55°C ~ +125°C
Power	0.1W @ 70°C
Electrical Angle (type A)	50°
Electrical Angle (type B)	50° w/6° center constant zone
Maximum Wiper Current	1mA
Maximum Voltage	30 VDC
Life Span	100,000 operations (typical)

Joystick Pushbutton Switch Specifications (type 3)

Type	SPST - Momentary - Push to activate
Power	12V, 50mA
Life	100,000 operations

With Knob Removed



Without Pushbutton (type 2)



With Pushbutton (type 3)



802 Joystick Ordering Code

Model#	Description
802 - 20110 - A	Without pushbutton, standard potentiometer type A

802 - 20110 - B	Without pushbutton, potentiometer type B (6° center constant zone)
802 - 30110 - A	With pushbutton, standard potentiometer type A
802 - 30110 - B	With pushbutton, potentiometer type B (6° center constant zone)

