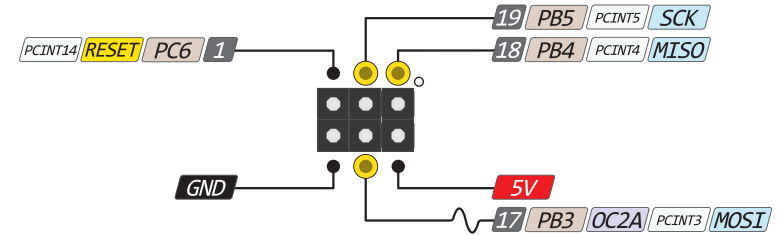
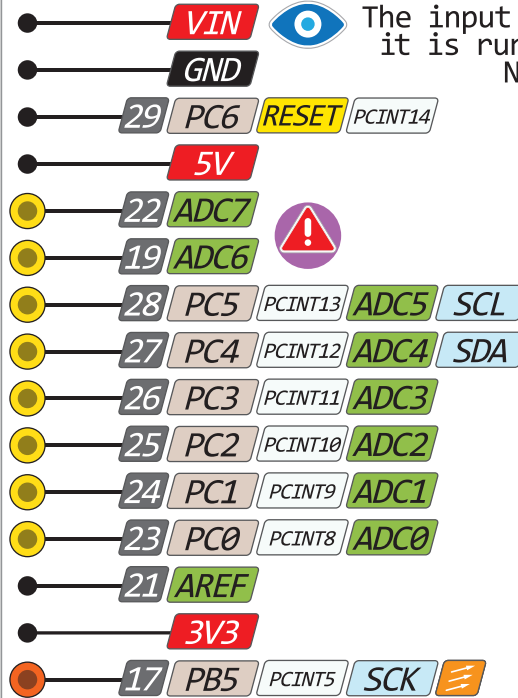
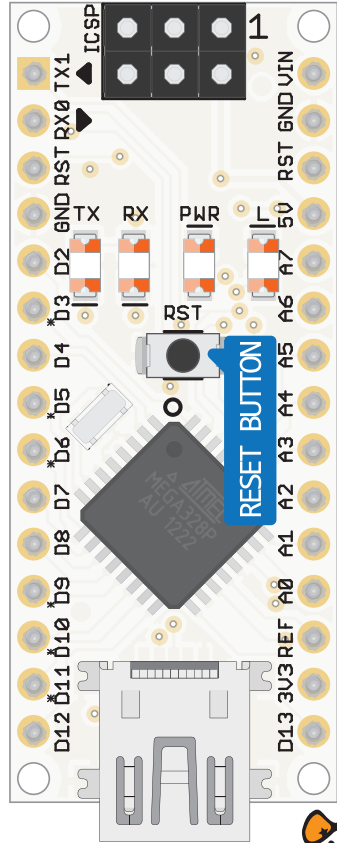
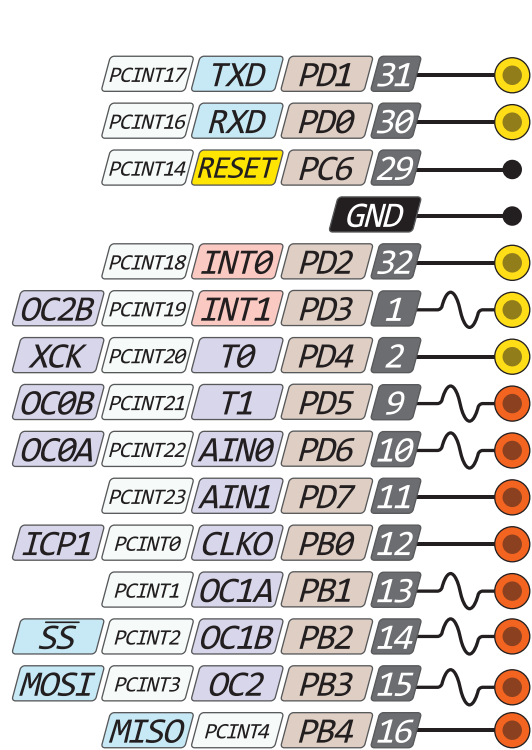


# NANO PINOUT



- 1
- 0
- 2
- 3
- 4
- 5
- 6
- 7
- 8
- 9
- 10
- 11
- 12



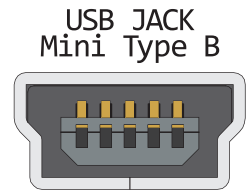
**VIN** The input voltage to the board when it is running from external power. Not USB bus power.

- Power
- GND
- Serial Pin
- Analog Pin
- Control
- INT
- Physical Pin
- Port Pin
- Pin function
- Interrupt Pin
- PWM Pin
- Port Power

The power sum for each pin's group should not exceed 100mA

Absolute MAX per pin 40mA recommended 20mA

Absolute MAX 200mA for entire package



Analog exclusively Pins