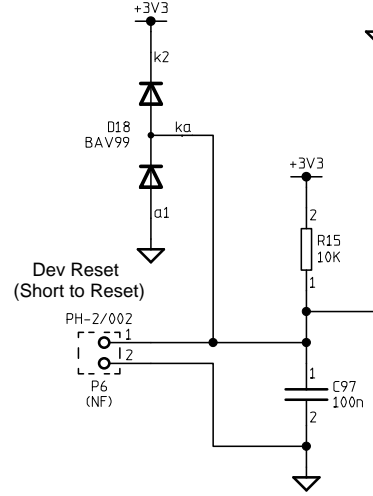
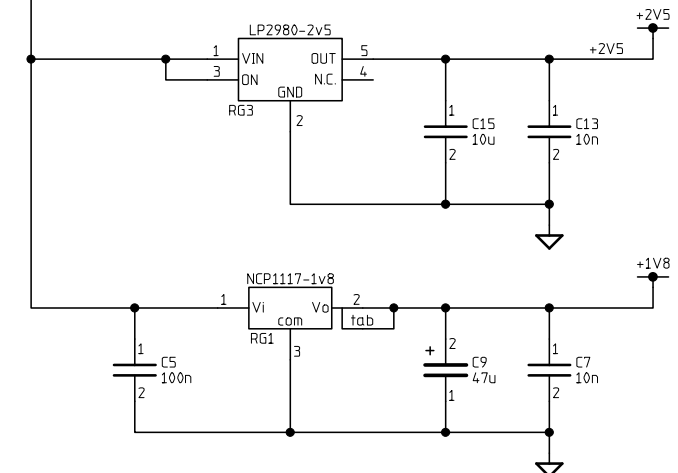
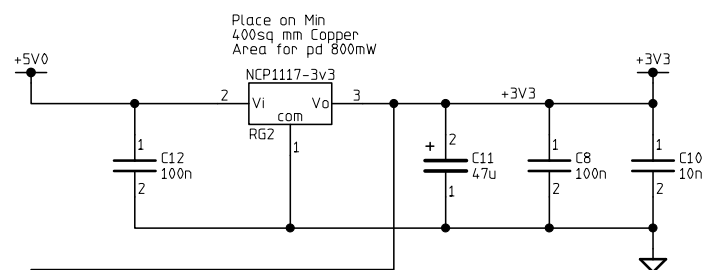
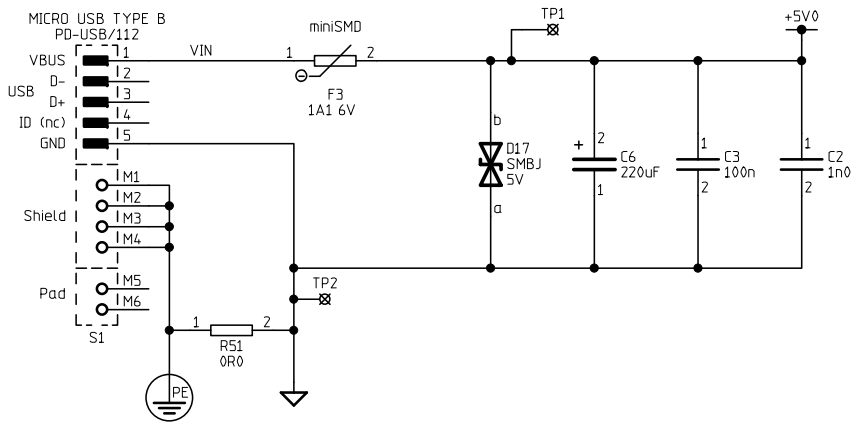
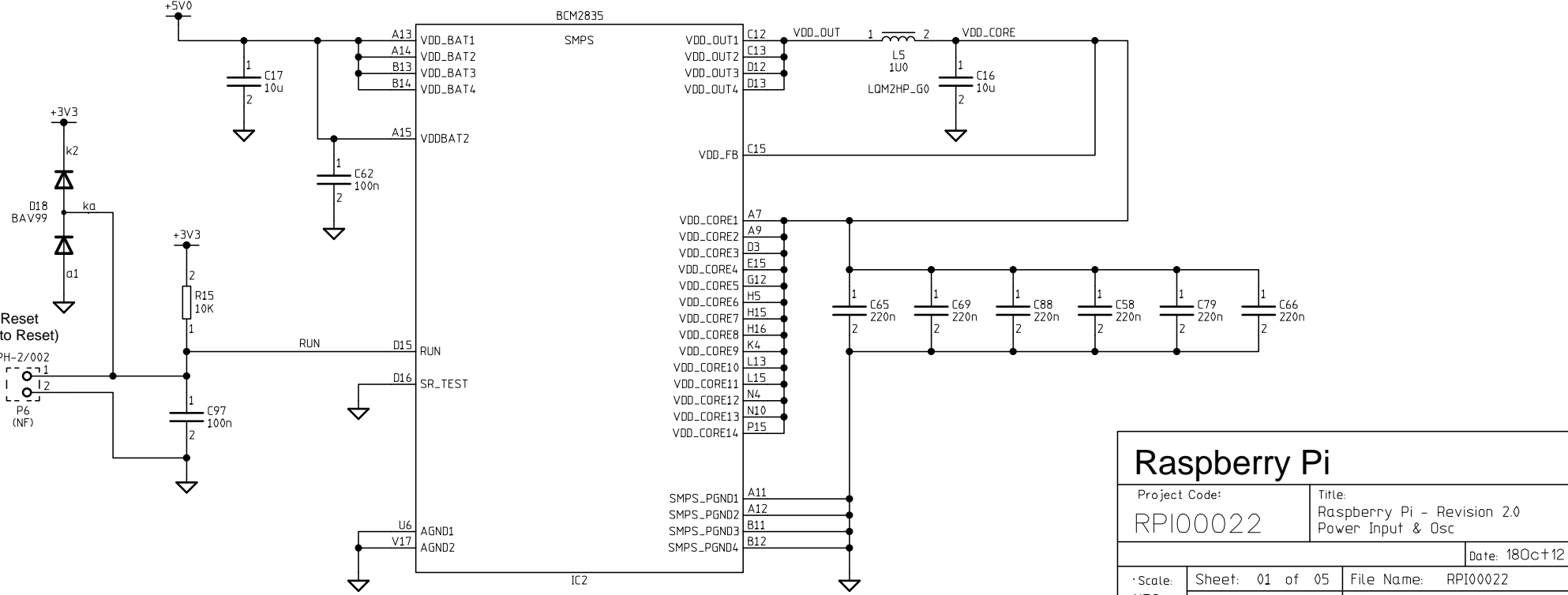
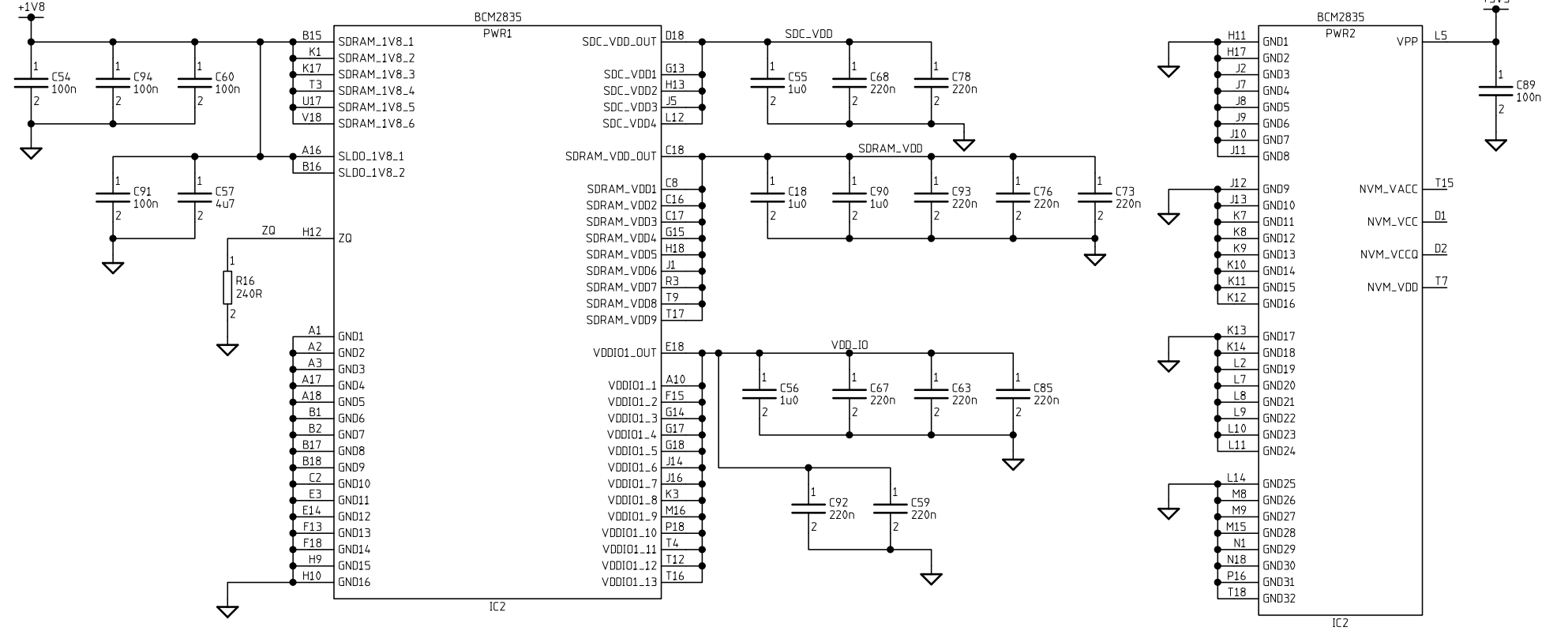


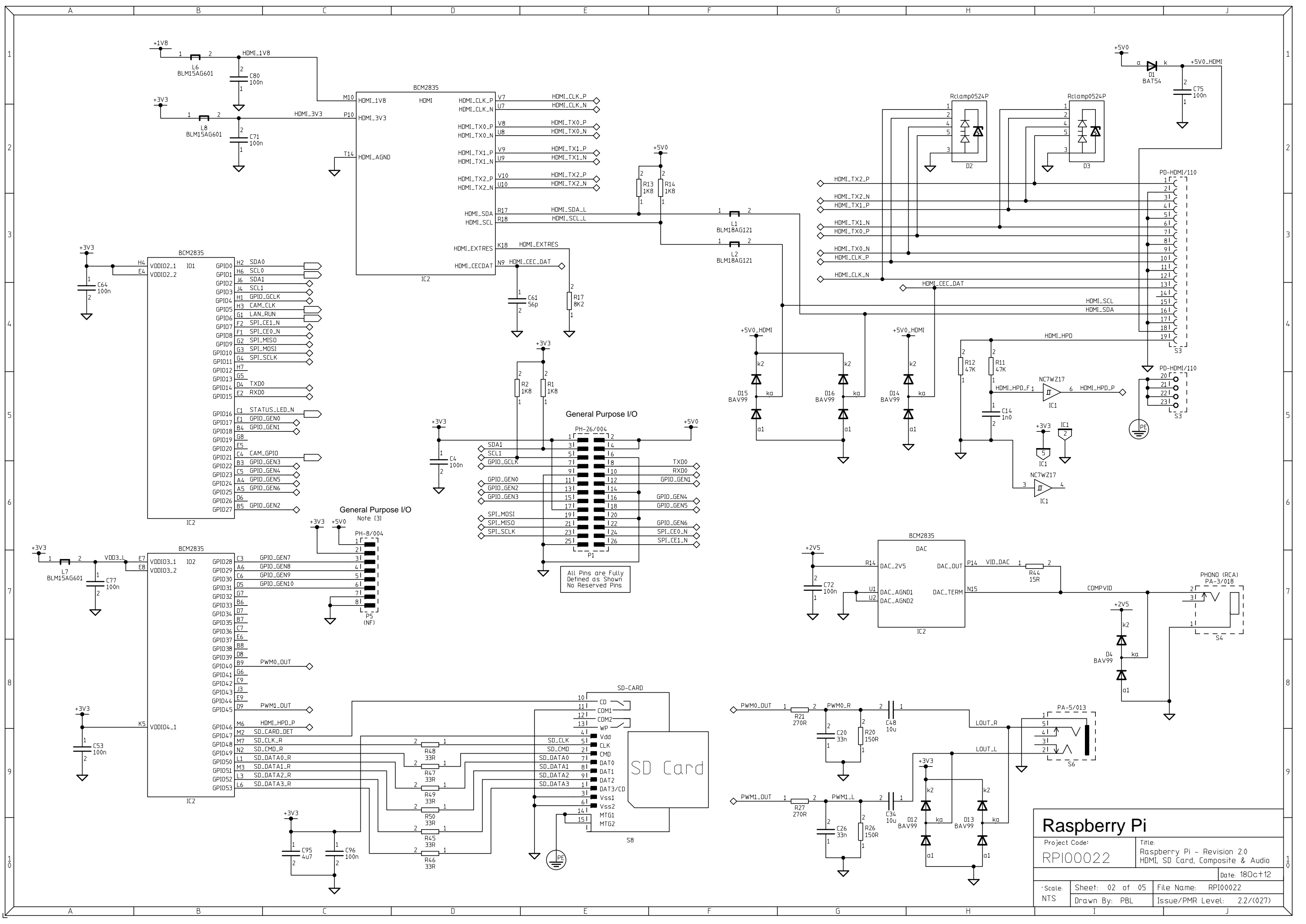
USB Power Input 5V 700mA min



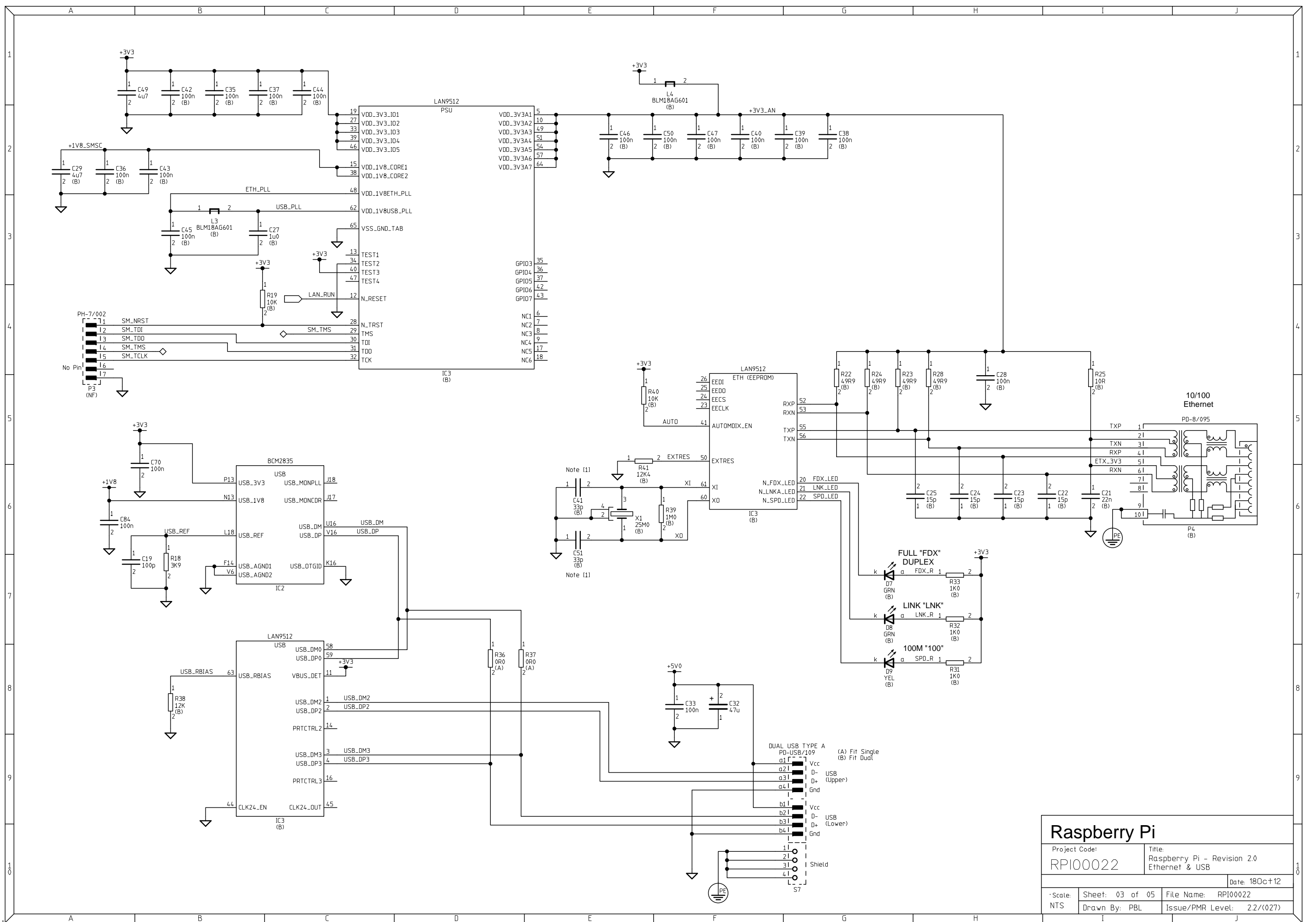
MEMORY: IC2A fitted as POP to IC2 - Note [2]  
 256Mbyte = K4P 2 G324ED  
 512Mbyte = K4P 4 G324EB



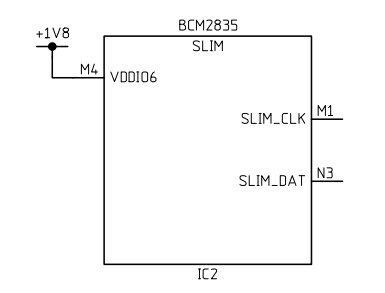
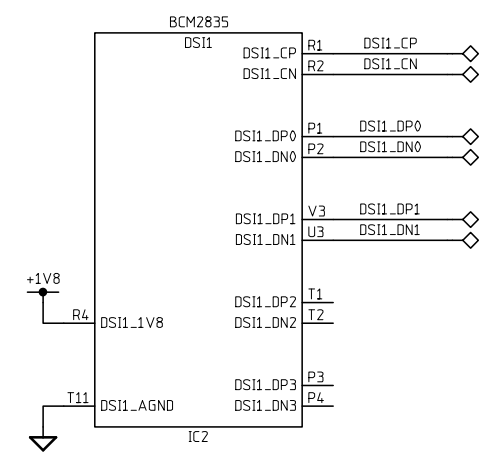
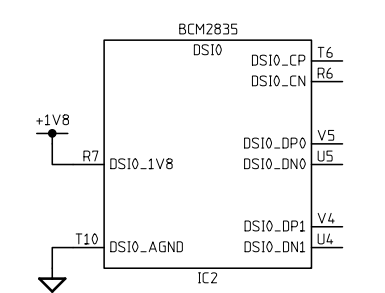
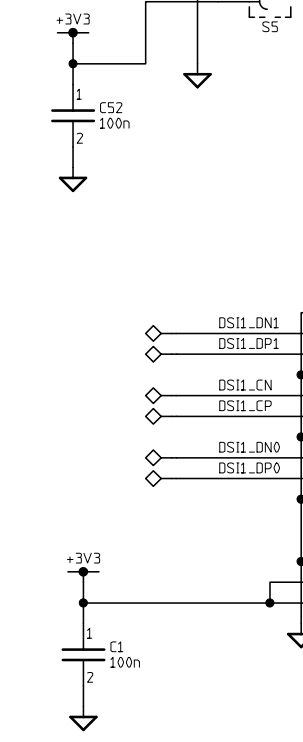
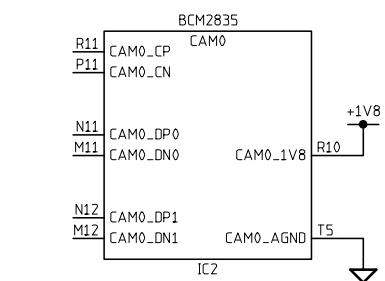
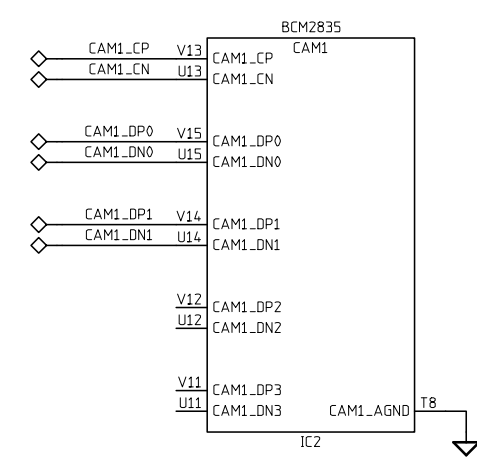
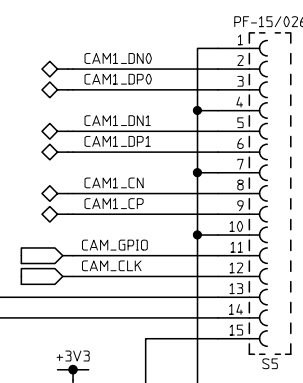
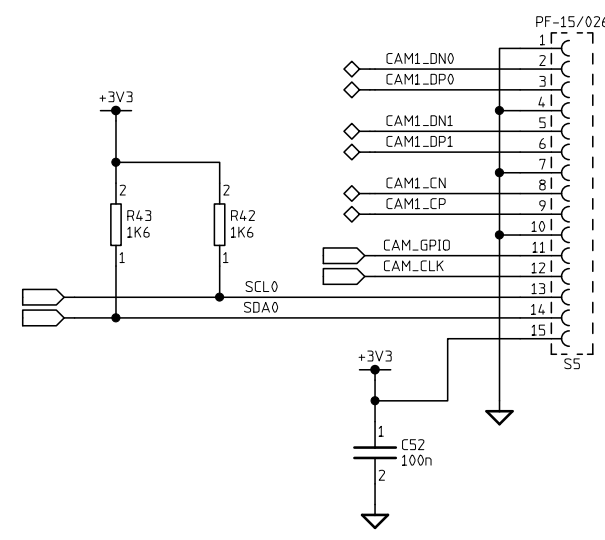
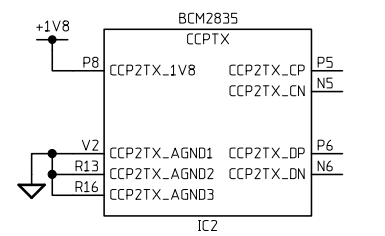
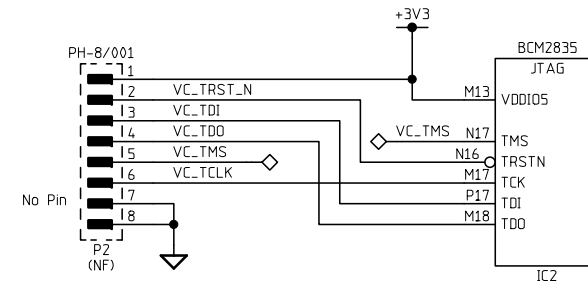
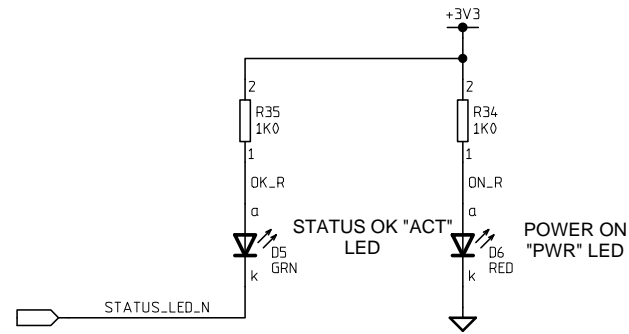
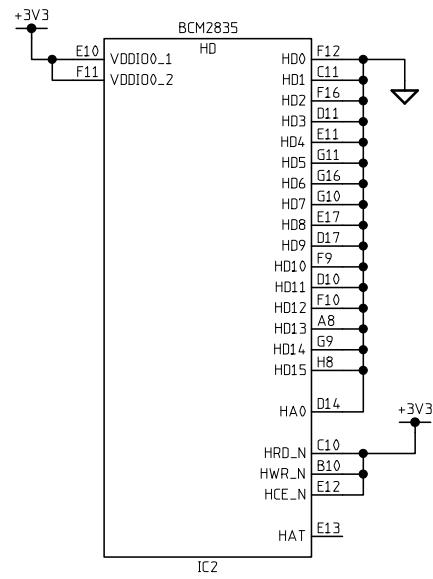
<b>Raspberry Pi</b>	
Project Code: <b>RPi00022</b>	Title: Raspberry Pi - Revision 2.0 Power Input & Osc
Date: 18Oct12	
Scale: NTS	Sheet: 01 of 05 File Name: RPi00022 Issue/PMR Level: 2.2/(027)



<b>Raspberry Pi</b>	
Project Code: RPI00022	Title: Raspberry Pi - Revision 2.0 HDMI, SD Card, Composite & Audio
Date: 18Oct12	
Scale: NTS	Sheet: 02 of 05 File Name: RPI00022 Issue/PMR Level: 2.2/(027)



<b>Raspberry Pi</b>	
Project Code: RPI00022	Title: Raspberry Pi - Revision 2.0 Ethernet & USB
Date: 18Oct12	
Scale: NTS	Sheet: 03 of 05
File Name: RPI00022	Issue/PMR Level: 2.2/(027)



<b>Raspberry Pi</b>	
Project Code: RPI00022	Title: Raspberry Pi - Revision 2.0 User I/O
Date: 18Oc+12	
Scale: NTS	Sheet: 04 of 05 Drawn By: PBL
File Name: RPI00022 Issue/PMR Level: 2.2/(027)	

PCB Build Variations	
Each Build variant is assigned a letter A-Z. Components affected by a variant have that letter, in parentheses, associated with it on the schematic pages.	
Build Variant	Build Description

Notes: A PCB assembly option ("Build Option") is formed by summing the required variants of circuit sections. Eg. A+D+G.

PCB Assembly Options	
List of Assembly options (valid combinations of Build variants, for reference only).	
Build variants	Build Description
A	Components only fitted to Model A (Basic)
B	Components only fitted to Model B (Full System)

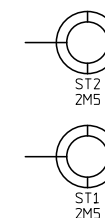
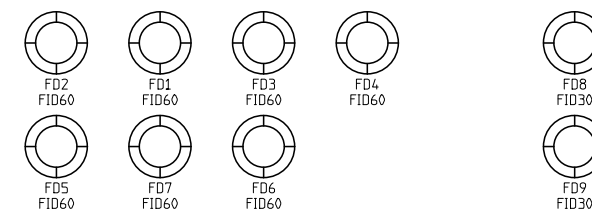
PCB Parts List Entry	
- Project Code	- Issue
BD-RPI-00022/001	

PCB Layout Requirements	
Layout notes referring to specific components or groups of components are indicated on the schematics by the note number, enclosed in braces, adjacent to the component. Eg {4}.	
Note No.	Description

General Notes	
These are general notes relating to the build of the product.	
(Number)	Details
{1}	Capacitor values tied to crystal specification. Refer to production site specific instructions and BOM for additional information.
{2}	Use flux gel or solder paste for PoP attachment process.
{3}	Connector designed to be mounted underside, DO NOT FILL holes in process.

Design (c) 2011,2012 Raspberry Pi Foundation  
All Rights Reserved

Portions of this work copyright 1979-2012 Norcott Technologies Limited  
Provided to the Raspberry Pi Foundation under a perpetual,  
royalty free, use and modify licence.



Raspberry Pi			
Project Code:	Title:		
RPI00022	Raspberry Pi - Revision 2.0 Build Options/PCB layout instructions.		
Client: n/a	Date: 18Oct12		
Scale:	Sheet: 05 of 05	File Name:	RPI00022
NTS	Drawn By: PBL	Issue/PMR Level:	2.2/(027)