

Application note of Sharp dust sensor GP2Y1010AU0F

Contents

	Page
1. Outline of this document	1
2. Features of GP2Y1010AU0F	1
3. Objects to detect	1
4. Application	1
5. Principle of dust detection	2
6. Application guidance	
6-1. Example of system connection	3
6-2. Mounting method	4
6-3. Basic output handling	5
6-4. Other cautions	5
7. Dust density characteristics (Example)	6

1. Outline of this document

This application note of Sharp dust sensor “GP2Y1010AU0F” is a document consists from Explanation how to use, cautions when using it, characteristics data, etc. for the customer’s reference when applying this device.

When designing the device, please refer to this document and also evaluate it under actual usage conditions.

2. Features of GP2Y1010AU0F

- Compact & thin package (46 × 30 × 17.6mm)
- With application of pulse output system, the device can detect even single house dust.
- House dust and cigarette smoke can be distinguished.

3. Objects to detect

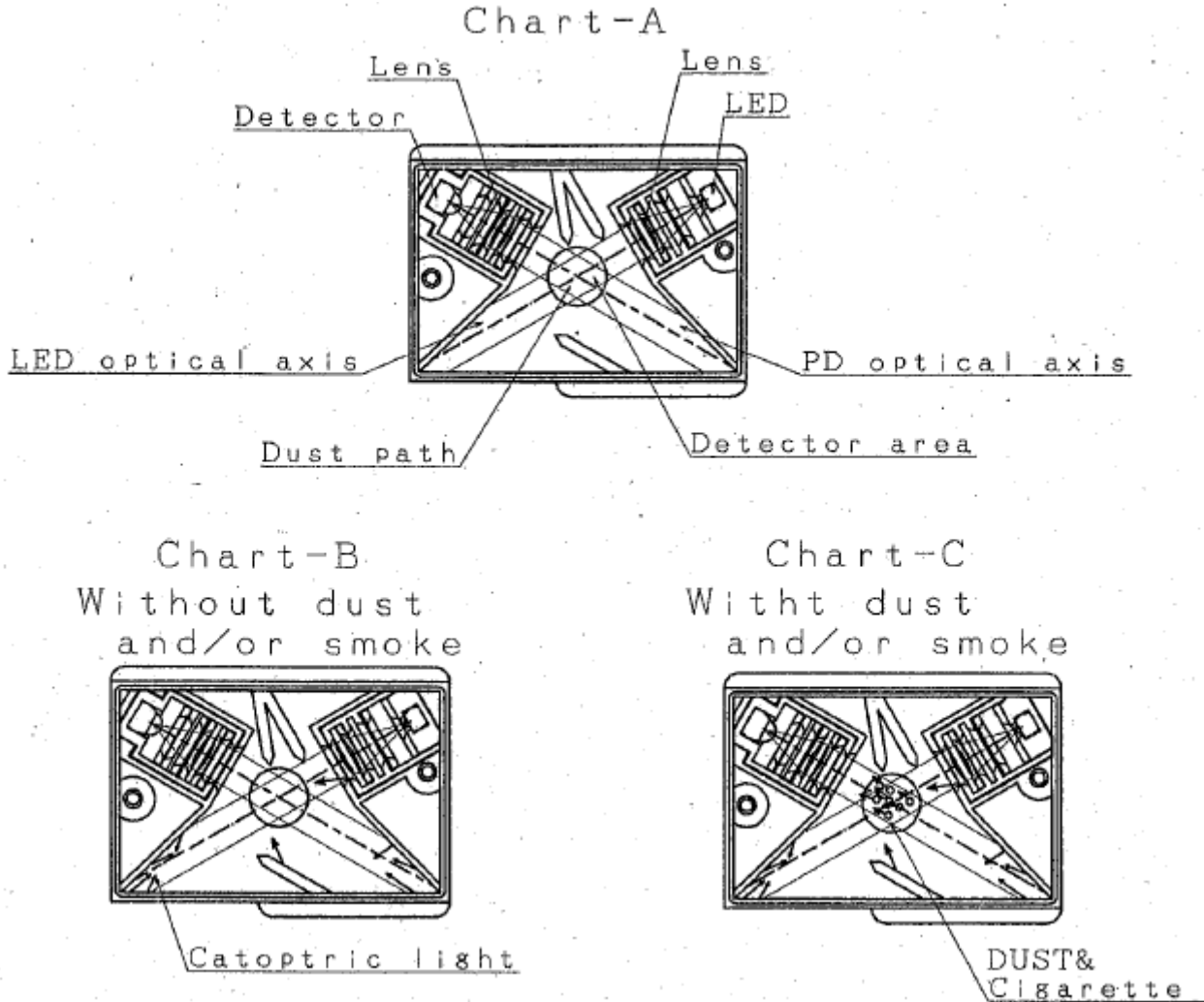
- House dust
- Cigarette smoke

4. Application

- Air conditioner
- Air purifier.

5. Principles of dust detection

This dust sensor “GP2Y1010AU0F” is the device to detect house dust, cigarette smoke, etc. and designed as a sensor for automatic running of application like air purifier and air conditioner with air purifier function.



Light from the light emitter (Light Emitting Diode) is spotted with a lens and a slit as shown on the chart-A. Also for the light detector (Photodiode), a lens and a slit is positioned in front of it to cut disturbance light and to detect light reflection (when detecting dust) efficiently. Area where those two optical axis cross is detection area of the device.

Chart-B shows what is ongoing inside of the device when no dust exists and Chart-C shows that when dust exists.

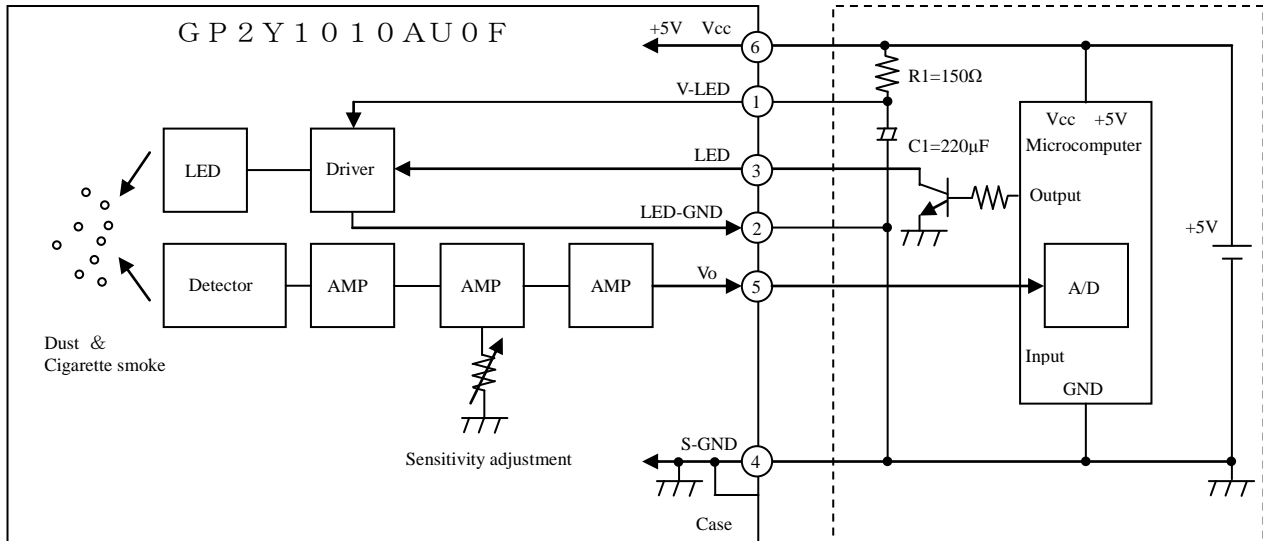
The device makes voltage output even when dust is not being detected. This output voltage at no dust condition is specified as V_{oc} on the specification. This is because light emitted from the LED reflects at case of the device & some part of it gets to the detector.

Chart-C shows how the device works when dust and/or cigarette smoke exists inside of it. In this case, the detector detects the light reflected from the dust and/or a particle of the cigarette smoke. Current in proportion to amount of the detected light comes out from the detector and the device makes analog voltage output (Pulse output) after the amplifier circuit amplifies the current from the detector.

6. Application guidance

6-1 Example of system connection

<Example>

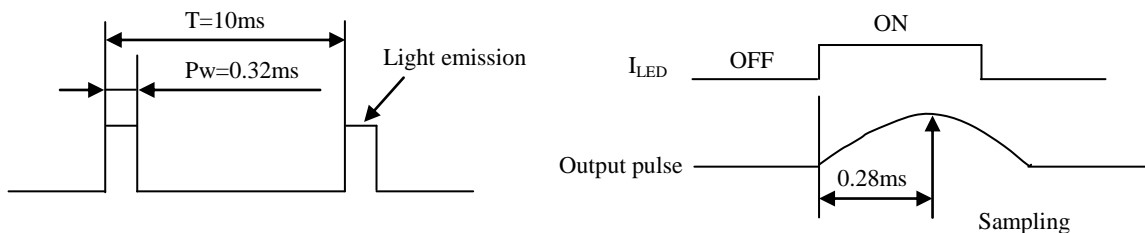


- Resistor, R1=150Ω and capacitor, C1=220uF mentioned above is required for pulse drive of the LED of GP2Y1010AU0F. Please use the ones with the above mentioned constants. Without these components, the device does not work.
- As input conditions of the LED terminal, please apply LED drive conditions mentioned in Electro-optical characteristics chart of the specification. When it is impossible to apply those conditions, please make it within the recommended input conditions mentioned in the specification. When the LED is driven under the condition beyond the specification, characteristics of the device will be affected.

Parameter	Symbol	Specified condition	Recommended condition	Unit
Pulse cycle	T	10	10±1	ms
Pulse width	Pw	0.32	0.32±0.02	ms

- The LED emits pulse light. Detected signal is amplified by the amplifier circuit and goes out as the output synchronized to the pulse mission of the LED.
- The specified output value is the one that is measured 0.28ms after the LED is turned on. Therefore, it is recommended that microcomputer to read the output 0.28ms after the LED emission also.

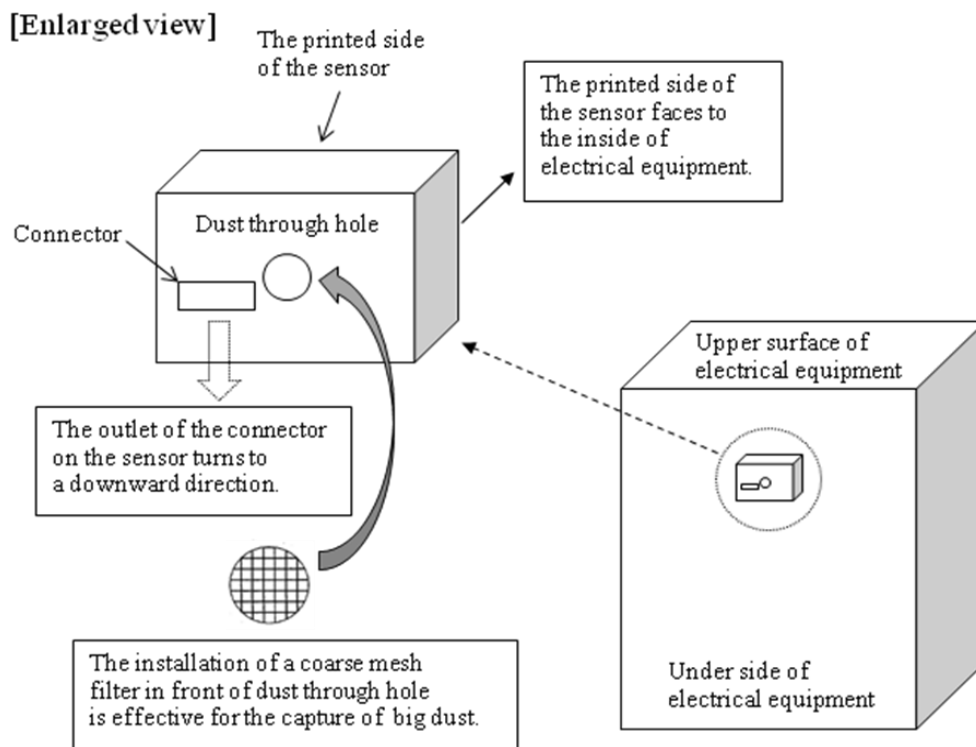
Sampling timing of output pulse



- Time required for the device to be ready to detect dust from when the system is turned on is less than 1 sec.

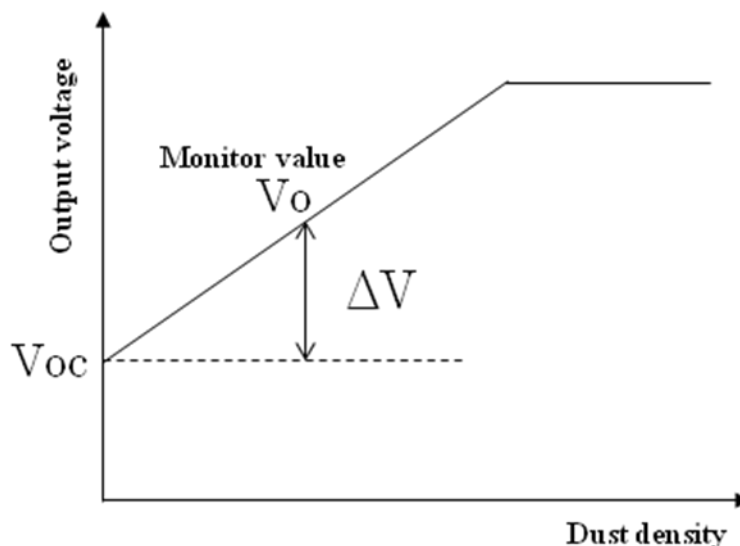
6-2 Mounting method

- There is a case that the sensor output may be affected when outer-light comes through dust through hole on the printed side.
In order to avoid any influence from outer-light, please locate the printed side of the sensor facing to inside of the application.
- In order to avoid any influence from the attachment of dust to the inside of the sensor, please mount the sensor to the application so that the outlet of the connector on the sensor turns to a downward direction.
- Please consider the structure and the mechanism of the equipment so that big dust (string dust, etc.) should not enter the inside of the sensor. The installation of a coarse mesh filter in front of dust through hole is effective for the capture of big dust .
- Please consider the maintenance by vacuum cleaner in preparation for the false sensor output by the attachment of dust to the inside of the sensor.



6-3 Basic output handling

- The output voltage V_o of this sensor is the sum of output voltage at no dust V_{oc} and output proportional to dust density ΔV .
Output proportional to dust density ΔV is shown as follows.
$$\Delta V = V_o - V_{oc} \quad (V_o : \text{monitor value})$$
- Output voltage at no dust V_{oc} is caused by the stray light occurring in this sensor.
This sensor makes V_{oc} voltage even at dust density 0mg/m^3 .
If dust attached within this sensor increases, V_{oc} becomes bigger. On the other hand, if dust attached within this sensor decreases, V_{oc} becomes smaller.
- To store V_{oc} in the memory of application is necessary to calculate ΔV from monitor value V_o .
If monitor value V_o lower than the memorized V_{oc} appears, this monitor value V_o should be stored in the memory of application as a new V_{oc} .
- If monitor value V_o maintains a bigger value than the memorized V_{oc} for a certain period of time, this monitor value V_o should be stored in the memory of application as a new V_{oc} .



6-4 Other cautions

- Please do not clean the device since cleaning may affect characteristics of the device and it may result in operation failure of the device.
- VR for sensitivity adjustment is adjusted in accordance to the specification at the time of shipment from Sharp. Therefore, please do not change value of it, or the value may become out of the specifications.
- Please do not disassemble the device. Once disassembled, the device may not have the same characteristics that it has had before the disassembly even if it is assembled again.
- Vibration may affect the characteristics of the device. Therefore, please make sure that the device works properly under actual usage conditions.
- The device does not work properly if bedewing occurs inside of it. Please design products so that the bedewing does not occur inside of the device.
- If the device is placed close to a noise generator (Electric dust collector, etc.), the sensor output may fluctuate due to inductive noise from the noise generator. Please consider the effect of the noise generator to the device when designing products.

7. Dust density characteristics (Example)

Test condition : According to "Electro-optical characteristics" of the specification of GP2Y1010AU0F.

