



DATA SHEET

(DOC No. HX8347-A(T)-DS)

HX8347-A(T)

240RGB x 320 dot, 262K color,
with internal GRAM,
TFT Mobile Single Chip Driver
Preliminary version 01 April, 2007

HX8347-A(T)

240RGB x 320 dot, 262K color, with internal GRAM, TFT Mobile Single Chip Driver



Himax Technologies, Inc.
<http://www.himax.com.tw>

List of Contents

April, 2007

1. General Description	9
2. Features	10
2.1 Display	10
2.2 Display Module	10
2.3 Display/Control Interface	10
2.4 Miscellaneous	11
3. Block Diagram	12
4. Pin Description	13
4.1 Pin Description	13
4.2 Pin Assignment	17
4.3 PAD Coordinates	18
4.4 Alignment Mark	24
4.5 Bump Size	25
5. Function Description	26
5.1 Interface Control Mode	26
5.1.1 Register-Content Interface Mode	27
5.1.2 Serial Bus System Interface	37
5.1.3 RGB Interface	41
5.2 Address Counter (AC)	44
5.2.1 MCU to Memory Write/Read Direction	45
5.3 Source, Gate and Memory Map	47
5.4 Tearing Effect Output Line	48
5.4.1 Tearing Effect Line Modes	48
5.4.2 Tearing Effect Line Timing	49
5.4.3 Example 1: MPU Write is faster than Panel Read	50
5.4.4 Example 2: MPU Write is slower than Panel Read	51
5.5 Oscillator	52
5.6 Source Driver	52
5.7 Gate Driver	52
5.8 LCD Power Generation Circuit	53
5.8.1 LCD Power Generation Scheme	53
5.8.2 Various Boosting Steps	54
5.9 Gray Voltage Generator for Source Driver	55
5.9.1 Structure of Grayscale Voltage Generator	56
5.9.2 Gamma-Characteristics Adjustment Register	57
5.9.3 Gamma Macro Adjustment Registers	57
5.9.4 Gamma Resister Stream and 8 to 1 Selector	58
5.9.5 Variable Resister	60
5.10 Scan Mode Setting	66
5.11 Oscillator	67
5.12 Register Setting Flow (Register-Content Interface mode only)	68
5.13 Power Supply Setting	70
5.14 Input / Output Pin State	71
5.14.1 Output or Bi-directional (I/O) Pins	71
5.14.2 Input Pins	71
Programming sequence	73
Programming circuitry	73
5.16 Free Running Mode Specification	74
6. Command	77
6.1 Command Set	77
6.2 Index Register	80
6.3 Display Mode Control Register (R01h)	80
6.4 Column Address Start Register (R02~03h)	81
6.5 Column Address End Register (R04~05h)	81
6.6 Row Address Start Register (R06~07h)	81

Himax Confidential

This information contained herein is the exclusive property of Himax and shall not be distributed, reproduced, or disclosed in whole or in part without prior written permission of Himax.

-P.1-

April, 2007

» HX8347-A(T)

240RGB x 320 dot, 262K color, with internal GRAM, TFT Mobile Single Chip Driver



Himax Technologies, Inc.
<http://www.himax.com.tw>

List of Contents

April, 2007

6.7 Row Address End Register (R08~09h)	82
6.8 Partial Area Start Row Register (R0A~0Bh)	82
6.9 Partial Area End Row Register (R0C~0Dh)	83
6.10 Vertical Scroll Top Fixed Area Register (R0E~0Fh)	84
6.11 Vertical Scroll Height Area Register (R10~11h)	84
6.12 Vertical Scroll Button Fixed Area Register (R12~13h)	84
6.13 Vertical Scroll Start Address Register (R14~15h)	85
6.14 Memory Access Control Register (R16h)	87
6.15 Gate scan Control Register (R18h)	89
6.16 OSC Control 1 Register (R19h)	89
6.17 OSC Control Register 2 (R1Ah)	90
6.18 Power Control 1 Register (R1Bh)	90
6.19 Power Control 2 Register (R1Ch)	91
6.20 Power Control 3 Register (R1Dh)	92
6.21 Power Control 4 Register (R1Eh)	92
6.22 Power Control 5 Register (R1Fh)	93
6.23 Power Control 6 Register (R20h)	93
6.24 Power Control 7 Register (R21h)	94
6.25 Read Data Register (R22h)	95
6.26 Cycle Control 1~3 Register (R23~25h)	96
6.27 Display Control 1 Register (R26h)	97
6.28 Display Control 2~7 Register (R27h~R2Ah, R2Ch, R2Dh)	98
6.29 Power Control 11 Register (R2Bh)	100
6.30 Version ID Register (R2Fh)	100
6.31 Display Control 9 Register (R35h)	100
6.32 Display Control 10 Register (R36h)	101
6.33 Display Control 12 Register (R37h)	102
6.34 RGB Interface Control 1 Register (R38h)	103
6.35 RGB Interface Control 2 Register (R39h)	104
6.36 Cycle Control 1~3 Register (R3A~3Ch)	104
6.37 Cycle Control 4 Register (R3Dh)	106
6.38 Cycle Control 5 Register (R3Eh)	107
6.39 Cycle Control 6 Register (R40h)	107
6.40 Display Control 14 Register (R41h)	107
6.41 BGP Control Register (R42h)	108
6.42 Vcom Control 1 Register (R43h)	109
6.43 Vcom Control 2 Register (R44h)	110
6.44 Vcom Control 3 Register (R45h)	113
6.45 GAMMA Control 1~12 Register (R46~51h)	114
6.46 Internal Use 1(R55h)	116
6.47 Internal Use 2 (R56h)	116
6.48 Internal Use 3 (R57h)	116
6.49 Internal Use 4 (R58h)	117
6.50 Internal Use 5 (R59h)	117
6.51 Internal Use 6 (R5Ah)	117
6.52 Internal Use 7(R5Bh)	117
6.53 Internal Use 8 (R5Ch)	118
6.54 Internal Use 9 (R5Dh)	118
6.55 Internal Use 10 (R5Eh)	118
6.56 Internal Use 11 (R5Fh)	118
6.57 Internal Use 12 (R60h)	118
6.58 Internal Use 13 (R61h)	119
6.59 Internal Use 14 (R62h)	119
6.60 Internal Use 15 (R63h)	119
6.61 Internal Use 16 (R64h)	119

>> HX8347-A(T)

240RGB x 320 dot, 262K color, with internal GRAM, TFT Mobile Single Chip Driver



Himax Technologies, Inc.
<http://www.himax.com.tw>

List of Contents

April, 2007

6.62 Internal Use 17 (R65h)	120
6.63 Internal Use 18 (R66h)	120
6.64 Internal Use 19 (R67h)	120
6.65 Internal Use 20 (R68h)	120
6.66 Internal Use 21 (R69h)	121
6.67 Internal Use 22 (R6Ah)	121
6.68 Internal Use 23 (R6Bh)	121
6.69 Internal Use 28 (R70h)	121
6.70 Data control register (R72h)	123
6.71 Internal Use 31 (R73h)	123
6.72 Internal Use 32 (R74h)	123
6.73 Internal Use 33 (R75h)	123
6.74 Internal Use 34 (R76h)	124
6.75 Internal Use 35 (R77h)	124
6.76 Internal Use 36 (R78h)	124
6.77 Internal Use 37 (R79h)	124
6.78 Internal Use 38 (R7Ah)	125
6.79 Internal Use 39 (R7Bh)	125
6.80 Internal Use 47 (R83h)	125
6.81 Internal Use 48 (R84h)	125
6.82 Internal Use 35 (R85h)	126
6.83 Internal Use 47 (R87h)	126
6.84 Display Control 8 (R90h)	126
6.85 Display Control 11 (R91h)	126
6.86 CPCRC Setting (R92h)	127
6.87 OSC Control 3 (R93h)	127
6.88 SAP Idle Mode (R94h)	128
6.89 DCCLK SYNC TO CL1 (R95h)	128
7. Electrical Characteristic	129
7.1 Absolute Maximum Ratings	129
7.2 ESD Protection Level	129
7.3 Latch-Up Protection Level	129
7.4 Light Sensitivity	129
7.5 Maximum Series Resistance	130
7.6 DC Characteristics	131
7.7 AC CHARACTERISTICS	132
7.7.1 Parallel Interface Characteristics (8080-series MPU)	132
7.7.2 Parallel Interface Characteristics (6800-series MPU)	134
7.7.3 Serial Interface Characteristics	135
7.7.4 RGB Interface Characteristics	136
7.7.5 Reset Input Timing	137
8. Reference Applications	138
8.1 Register-Content Interface Mode	138
8.2 External Components Connection	139
9. Ordering Information	140
10. Revision History	140

HX8347-A(T)

240RGB x 320 dot, 262K color, with internal GRAM, TFT Mobile Single Chip Driver



Himax Technologies, Inc.
<http://www.himax.com.tw>

List of Figures

April, 2007

Figure 5. 1 Register Read/Write Timing in Parallel Bus System Interface (for I80 Series MPU).....	28
Figure 5. 2 GRAM Read/Write Timing in 16-/18-Bit Parallel Bus System Interface (for I80 Series MPU).....	29
Figure 5. 3 GRAM Read/Write Timing in 8-Bit Parallel Bus System Interface (for I80 Series MPU)	30
Figure 5. 4 Register Read/Write Timing in Parallel Bus System Interface (for M68 Series MPU)....	31
Figure 5. 5 GRAM Read/Write Timing in 16-/18-Bit Parallel Bus System Interface (for M68 Series MPU).....	32
Figure 5. 6 GRAM Read/Write Timing in 8-bit Parallel Bus System Interface (for M68 Series MPU).....	33
Figure 5. 7 Example of I80- / M68- System 16-Bit Parallel Bus Interface.....	34
Figure 5. 8 Input Data Bus and GRAM Data Mapping in 18-Bit Bus System Interface (“BS2, BS1, BS0”=“010” or “101”).....	34
Figure 5. 9 Example of I80- / M68- System 16-bit Parallel Bus Interface.....	35
Figure 5. 10 Input Data Bus and GRAM Data Mapping in 16-Bit Bus System Interface with 16 Bit-Data Input (“BS2, BS1, BS0”=“000”).....	35
Figure 5. 11 Input Data Bus and GRAM Data Mapping in 16-Bit Bus System Interface with 18(16+2) Bit-Data Input (“BS2, BS1, BS0”=“001”).....	35
Figure 5. 12 Input Data Bus and GRAM Data Mapping in 16-Bit Bus System Interface with 18(6+6+6) Bit-Data Input (“BS2, BS1, BS0”=“100”).....	36
Figure 5. 13 Example of I80- / M68- System 8-Bit Parallel Bus Interface.....	36
Figure 5. 14 Input Data Bus and GRAM Data Mapping in 8-Bit Bus System Interface with 18(6 + 6 + 6) Bit-Data Input (“BS2, BS1, BS0”=“100”).....	36
Figure 5. 15 Data Write Timing in Serial Bus System Interface.....	38
Figure 5. 16 Data Read Timing in Serial Bus System Interface.....	40
Figure 5. 17 RGB Interface Circuit Input Timing.....	41
Figure 5. 18 16-Bit / Pixel Data Input of RGB Interface.....	42
Figure 5. 19 18-Bit / Pixel Data Input of RGB Interface.....	43
Figure 5. 20 MCU to Memory Write/Read Direction.....	45
Figure 5. 21 MY, MX, MV Setting.....	45
Figure 5. 22 Address Direction Settings.....	46
Figure 5. 23 Memory Map (240RGBx320).....	47
Figure 5. 24 TE mode 1 output.....	48
Figure 5. 25 TE mode 2 output.....	48
Figure 5. 26 TE output waveform.....	48
Figure 5. 27 Waveform of Tearing Effect Signal.....	49
Figure 5. 28 Timing of Tearing Effect Signal.....	49
Figure 5. 29.....	50
Figure 5. 30.....	50
Figure 5. 31.....	51
Figure 5. 32.....	51
Figure 5. 33 LCD Power Generation Scheme.....	53
Figure 5. 34 Various Boosting Steps.....	54
Figure 5. 35 Grayscale Control.....	55
Figure 5. 36 Structure of Grayscale Voltage Generator.....	56
Figure 5. 37 Gamma Resistor Stream and Gamma Reference Voltage.....	59
Figure 5. 38 Relationship between Source Output and Vcom.....	65
Figure 5. 39 Relationship between GRAM Data and Output Level.....	65
Figure 5. 40 Scan Function.....	66
Figure 5. 41 Oscillation Circuit.....	67
Figure 5. 42 Display On/Off Set Sequence.....	68
Figure 5. 43 Standby Mode Setting Sequence.....	69
Figure 5. 44 Power Supply Setting Flow.....	70
Figure 5. 45 OTP Programming Flow.....	72
Figure 5. 46 Power On Sequence of FR-mode (for Normally-White Panel).....	75
Figure 5. 47 Power Off Sequence of FR-mode.....	75

» HX8347-A(T)

240RGB x 320 dot, 262K color, with internal GRAM, TFT Mobile Single Chip Driver



Himax Technologies, Inc.
<http://www.himax.com.tw>

List of Figures

April, 2007

Figure 6. 1 Index Register.....	80
Figure 6. 2 Display Mode Control Register (R01h).....	80
Figure 6. 3 Column Address Start Register Upper Byte (R02h).....	81
Figure 6. 4 Column Address Start Register Low Byte (R03h).....	81
Figure 6. 5 Column Address End Register Upper Byte (R04h).....	81
Figure 6. 6 Column Address End Register Low Byte (R05h).....	81
Figure 6. 7 Row Address Start Register Upper Byte (R06h).....	81
Figure 6. 8 Row Address Start Register Low Byte (R07h).....	81
Figure 6. 9 Row Address End Register Upper Byte (R08h).....	82
Figure 6. 10 Row Address End Register Low Byte (R09h).....	82
Figure 6. 11 Partial Area Start Row Register Upper Byte (R0Ah).....	82
Figure 6. 12 Partial Area Start Row Register Low Byte (R0Bh).....	82
Figure 6. 13 Partial Area End Row Register Upper Byte (R0Ch).....	83
Figure 6. 14 Partial Area End Row Register Low Byte (R0Dh).....	83
Figure 6. 15 Vertical Scroll Top Fixed Area Register Upper Byte (R0Eh).....	84
Figure 6. 16 Vertical Scroll Top Fixed Area Register Low Byte (R0Fh).....	84
Figure 6. 17 Vertical Scroll Height Area Register Upper Byte (R10h).....	84
Figure 6. 18 Vertical Scroll Height Area Register Low Byte (R11h).....	84
Figure 6. 19 Vertical Scroll Button Fixed Area Register Upper Byte (R12h).....	84
Figure 6. 20 Vertical Scroll Button Fixed Area Register Low Byte (R13h).....	84
Figure 6. 21 Vertical Scroll Start Address Register Upper Byte (R14h).....	85
Figure 6. 22 Vertical Scroll Start Address Register Low Byte (R15h).....	85
Figure 6. 23 Memory Access Control Register (R16h).....	87
Figure 6. 24 Gate Scan Control Register (R18h).....	89
Figure 6. 25 OSC Control 1 Register (R12h).....	89
Figure 6. 26 OSC Control Register 2 (R1Ah).....	90
Figure 6. 27 Power Control 1 Register (R1Bh).....	90
Figure 6. 28 Power Control 3 Register (R1Ch).....	91
Figure 6. 29 Power Control 3 Register (R1Dh).....	92
Figure 6. 30 VREG3 Control Register (R1Eh).....	92
Figure 6. 31 Power Control 5 Register (R1Fh).....	93
Figure 6. 32 Power Control 6 Register (R20h).....	93
Figure 6. 33 Power Control 7 Register (R21h).....	94
Figure 6. 34 Read Data Register (R22h).....	95
Figure 6. 35 Write Data Register (R22h).....	95
Figure 6. 36 Cycle Control 1 Register (R23h).....	96
Figure 6. 37 Cycle Control 2 Register (R24h).....	96
Figure 6. 38 Cycle Control 3 Register (R25h).....	96
Figure 6. 39 Display Control 1 Register (R26h).....	97
Figure 6. 40 Display Control 2 Register (R27h).....	98
Figure 6. 41 Display Control 3 Register (R28h).....	98
Figure 6. 42 Display Control 4 Register (R29h).....	98
Figure 6. 43 Display Control 5 Register (R2Ah).....	98
Figure 6. 44 Display Control 6 Register (R2Ch).....	98
Figure 6. 45 Display Control 7 Register (R2Dh).....	98
Figure 6. 46 Power Control 11 Register (R2Bh).....	100
Figure 6. 47 Display Control 9 Register (R2Fh).....	100
Figure 6. 48 Display Control 9 Register (R35h).....	100
Figure 6. 49 Display Control 9 Register (R36h).....	101
Figure 6. 50 Display Control 6 Register (R37h).....	102
Figure 6. 51 RGB Interface Control 1 Register (R39h).....	103
Figure 6. 52 RGB Interface Control 2 Register (R39h).....	104
Figure 6. 53 Cycle Control 1 Register (R3Ah).....	104
Figure 6. 54 Cycle Control 2 Register (R3Bh).....	104

HX8347-A(T)

240RGB x 320 dot, 262K color, with internal GRAM, TFT Mobile Single Chip Driver



Himax Technologies, Inc.
<http://www.himax.com.tw>

List of Figures

April, 2007

Figure 6. 55 Cycle Control 3 Register (R3Ch)	104
Figure 6. 56 Cycle Control 4 Register (R3Dh)	106
Figure 6. 57 Display Control 5 Register (R3Eh)	107
Figure 6. 58 Display Control 6 Register (R40h)	107
Figure 6. 59 Display Control 3 Register (R41h)	107
Figure 6. 60 BGP Control 1 Register (R42h)	108
Figure 6. 61 Vcom Control 1 Register (R43h)	109
Figure 6. 62 Vcom Control 2 Register	110
Figure 6. 63 Vcom Control 3 Register (R45h)	113
Figure 6. 64 GAMMA Control 1 Register (R46h)	114
Figure 6. 65 GAMMA Control 2 Register (R47h)	114
Figure 6. 66 GAMMA Control 3 Register (R48h)	114
Figure 6. 67 GAMMA Control 4 Register (R49h)	114
Figure 6. 68 GAMMA Control 5 Register (R4Ah)	114
Figure 6. 69 GAMMA Control 6 Register (R4Bh)	114
Figure 6. 70 GAMMA Control 7 Register (R4Ch)	115
Figure 6. 71 GAMMA Control 8 Register (R4Dh)	115
Figure 6. 72 GAMMA Control 9 Register (R4Eh)	115
Figure 6. 73 GAMMA Control 10 Register (R4Fh)	115
Figure 6. 74 GAMMA Control 11 Register (R50h)	115
Figure 6. 75 GAMMA Control 12 Register (R51h)	115
Figure 6. 76 Internal Use 1(R55h)	116
Figure 6. 77 Internal Use 2(R56h)	116
Figure 6. 78 Internal Register Access Enable (R57h)	116
Figure 6. 79 Internal Use 4 (R58h)	117
Figure 6. 80 Internal Use 5 (R59h)	117
Figure 6. 81 Internal Use 6 (R5Ah)	117
Figure 6. 82 Internal Use 7(R5Bh)	117
Figure 6. 83 Internal Use 9 (R5Ch)	118
Figure 6. 84 Internal Use 9 (R5Dh)	118
Figure 6. 85 Internal Use 10 (R5Eh)	118
Figure 6. 86 Internal Use 11 (R5Fh)	118
Figure 6. 87 Internal Use 12 (R60h)	118
Figure 6. 88 Internal Use 13 (R61h)	119
Figure 6. 89 Internal Use 14 (R62h)	119
Figure 6. 90 Internal Use 15 (R63h)	119
Figure 6. 91 Internal Use 16 (R64h)	119
Figure 6. 92 Internal Use 17 (R65h)	120
Figure 6. 93 Internal Use 18 (R66h)	120
Figure 6. 94 Internal Use 19 (R67h)	120
Figure 6. 95 Internal Use 20 (R68h)	120
Figure 6. 96 Internal Use 21 (R69h)	121
Figure 6. 97 Internal Use 22 (R6Ah)	121
Figure 6. 98 Internal Use 23 (R6Bh)	121
Figure 6. 99 Internal Use 28 (R70h)	121
Figure 6. 100 Serial Bus Interface Control Register (R72h)	123
Figure 6. 101 Internal Use 31 (R73h)	123
Figure 6. 102 Internal Use 32 (R74h)	123
Figure 6. 103 Internal Use 33 (R75h)	123
Figure 6. 104 Internal Use 34 (R76h)	124
Figure 6. 105 Internal Use 35 (R77h)	124
Figure 6. 106 Internal Use 36 (R78h)	124
Figure 6. 107 Internal Use 37 (R79h)	124
Figure 6. 108 Internal Use 38 (R7Ah)	125
Figure 6. 109 Internal Use 39 (R7Bh)	125

» HX8347-A(T)

240RGB x 320 dot, 262K color, with internal GRAM, TFT Mobile Single Chip Driver



Himax Technologies, Inc.
<http://www.himax.com.tw>

List of Figures

April, 2007

Figure 6. 110 Internal Use 47 (R83h).....	125
Figure 6. 111 Internal Use 48 (R84h).....	125
Figure 6. 112 Internal Use 35 (R85h).....	126
Figure 6. 113 Internal Use 47 (R87h).....	126
Figure 6. 114 Display Control 8 (R90h).....	126
Figure 6. 115 Display Control 11 (R91h).....	126
Figure 6. 116 CPCRC Setting (R92h).....	127
Figure 6. 117 OSC Control 3 (R93h).....	127
Figure 6. 118 SAP Idle Mode (R94h).....	128
Figure 6. 119 DCCLK SYNC TO CL1 (R95h).....	128
Figure 7. 1 Parallel Interface Characteristics (8080-series MPU).....	132
Figure 7. 2 Chip Select Timing.....	133
Figure 7. 3 Write to Read and Read to Write Timing.....	133

Himax Confidential
Do Not Copy

» HX8347-A(T)

240RGB x 320 dot, 262K color, with internal GRAM, TFT Mobile Single Chip Driver



Himax Technologies, Inc.
<http://www.himax.com.tw>

List of Tables

April, 2007

Table 5. 1 Interface Mode Selection.....	26
Table 5. 2 MPU Selection in Command-Parameter Interface Circuit.....	27
Table 5. 3 Interface Selection in Register-Content Interface Mode	27
Table 5. 4 Data Pin Function for I80 Series CPU.....	28
Table 5. 5 Data Pin Function for M68 Series CPU.....	28
Table 5. 6 The Function of RS and R/W Bit bus	37
Table 5. 7 EPL Bit Setting and Valid Enable Signal	41
Table 5. 8 MY, MX, MV Setting	45
Table 5. 9 AC characteristics of Tearing Effect Signal.....	49
Table 5. 10 Gamma-Adjustment Registers	57
Table 5. 11 Offset Adjustment 0 Table 5. 12 Offset Adjustment 1 Table 5. 13 Center Adjustment	60
Table 5. 14 Output Voltage of 8 to 1 Selector	60
Table 5. 15 Voltage Calculation Formula (Positive Polarity)	61
Table 5. 16 Voltage Calculation Formula of Grayscale Voltage (Positive Polarity)	62
Table 5. 17 Voltage Calculation Formula (Negative Polarity)	63
Table 5. 18 Voltage Calculation Formula of Grayscale Voltage (Negative Polarity)	64
Table 5. 19 State of Output or Bi-directional (I/O) Pins.....	71
Table 5. 20 State of Input Pins	71
Table 5. 21 OTP memory table.....	72
Table 5. 22 Pin Information	74
Table 5. 23 Frequency Definition of Free Running Mode Display.....	76
Table 7. 1.....	129
Table 7. 2.....	130
Table 7. 3.....	136
Table 8. 1 Connect Capacitors.....	139
Table 8. 2 Connected Schottky Diode and Resistor.....	139

>> HX8347-A

240RGB x 320 dot, 262K color, with internal GRAM, TFT Mobile Single Chip Driver



Himax Technologies, Inc.
<http://www.himax.com.tw>

Preliminary Version 01

April, 2007

1. General Description

This document describes HX8347-A 240RGBx320 dots resolution driving controller. The HX8347-A is designed to provide a single-chip solution that combines a gate driver, a source driver, power supply circuit for 262,144 colors to drive a TFT panel with 240RGBx320 dots at maximum.

The HX8347-A can be operated in low-voltage (1.65V) condition for the interface and integrated internal boosters that produce the liquid crystal voltage, breeder resistance and the voltage follower circuit for liquid crystal driver. In addition, The HX8347-A also supports various functions to reduce the power consumption of a LCD system via software control.

The HX8347-A is suitable for any small portable battery-driven and long-term driving products, such as small PDAs, digital cellular phones and bi-directional pagers.

The HX8347-A supports three interface modes: Command-Parameter interface mode, Register-Content interface mode and RGB interface mode. Command-Parameter interface mode and Register-Content interface mode are selected by the external pins IFSEL0 setting, and RGB interface mode is selected by internal bit RGB_EN.

This manual description focuses on Register-Content interface mode and RGB interface mode, about the Command-Parameter interface mode, please refer to the HX8347-A(N) datasheet for detail.

2. Features

2.1 Display

- Resolution: 240(H) x RGB(H) x 320(V)
- Display Color modes
 - A. Normal Display Mode On
 - a. Command-Parameter interface mode
 - i. 262,144(R(6),G(6),B(6)) colors
 - b. Register-Content interface mode
 - i. 262,144(R(6),G(6),B(6)) colors
 - ii. 65,536(R(5),G(6),B(5)) colors
 - B. Idle Mode On
 - a. 8 (R(1),G(1),B(1)) colors.

2.2 Display Module

- AM-LCD glass 240xRGBx320
- Gamma correction (4 preset gamma curves)
- On module VCOM control (-2.0 to 5.5V Common electrode output voltage range)
- On module DC/DC converter
 - A. DDVDH = 3.0 to 6.0V (Source output voltage range)
 - B. VGH = +9.0 to +16.5V (Positive Gate output voltage range)
 - C. VGL = -6.0 to -13.5V (Negative Gate output voltage range)
- Frame Memory area 240 (H) x 320 (V) x 18 bit

2.3 Display/Control Interface

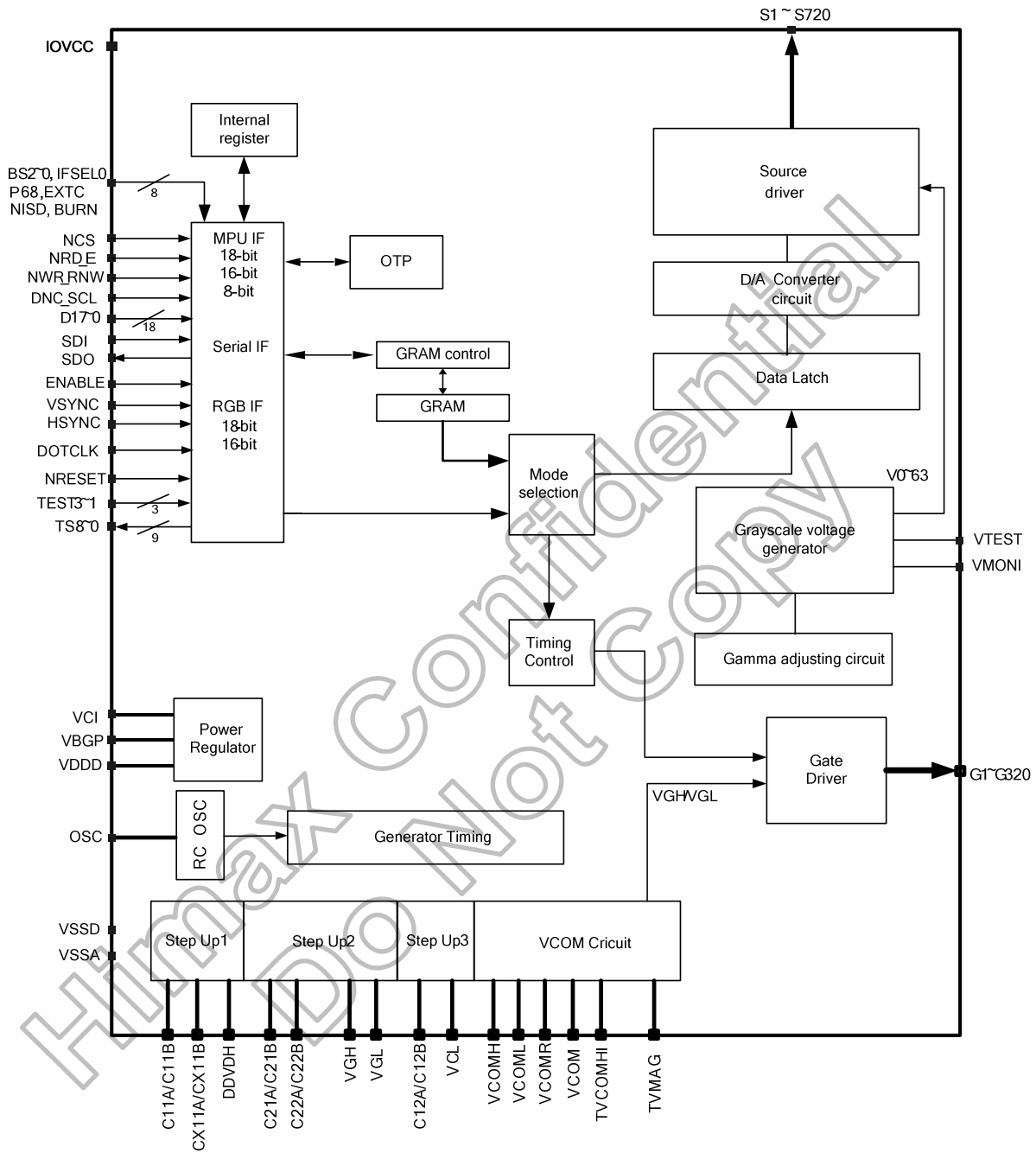
- Display Interface types supported
 - A. Command-Parameter interface mode
 - 8-/16-bit MPU parallel interface.
 - Serial data transfer interface.
 - 16, 18 data lines parallel video (RGB) interface.
 - B. Register-Content interface mode
 - 8-/16-/18-bit MPU parallel interface.
 - Serial data transfer interface.
 - 16, 18 data lines parallel video (RGB) interface.
- Control Interface types supported
 - A. Command-Parameter interface mode.(IFSEL0= 0)
 - B. Register-Content interface mode (IFSEL0 = 1)
- Logic voltage (IOVCC): 1.65 ~ 3.0V
- Driver power supply (VCI): 2.3 ~ 3.3V
- Color modes
 - A. 16 bit/pixel: R(5), G(6), B(5)
 - B. 18 bit/pixel: R(6), G(6), B(6)

2.4 Miscellaneous

- Low power consumption, suitable for battery operated systems
- Image sticking eliminated function
- CMOS compatible inputs
- Optimized layout for COG assembly
- Temperature range: -40 ~ +85 °C
- Suitable for all brand LCM module
 - Command set :
 - A. DMIF-S50AP-K124(RGB_EN=0)
 - B. DMIF-S50AP-P01(RGB_EN=1)
 - Himax defined command set
- Proprietary multi phase driving for lower power consumption
- Support external VDDD for lower power consumption (such as 1.8 volts input)
- Support RGB through mode with lower power consumption
- Support normal black/normal white LCD
- Support wide view angle display
- Support burn-in mode for efficient test in module production
- On-chip OTP (one-time-programming) non-volatile memory

Himax Confidential
Do Not Copy

3. Block Diagram



4. Pin Description

4.1 Pin Description

Input Parts																																																																																																																																											
Signals	I/O	Pin Number	Connected with	Description																																																																																																																																							
P68, BS2,BS1,BS0	I	4	VSSD/ IOVCC	Select the MPU interface mode as listed below Use with IFSELO=1 Register-content interface mode																																																																																																																																							
				<table border="1"> <thead> <tr> <th>P68</th> <th>BS2</th> <th>BS1</th> <th>BS0</th> <th>Interface mode</th> <th>DB pins</th> </tr> </thead> <tbody> <tr> <td>0</td> <td>0</td> <td>0</td> <td>0</td> <td>16-bit bus interface, 80-system, 65K-Color</td> <td>D17-D16: Unused, D15-D0: Data</td> </tr> <tr> <td>0</td> <td>0</td> <td>0</td> <td>1</td> <td>16-bit bus interface, 80-system, 262K-color</td> <td>D17-D16: Unused, D15-D0: Data</td> </tr> <tr> <td>0</td> <td>0</td> <td>1</td> <td>0</td> <td>18-bit bus interface, 80-system, 262K-color</td> <td>D17-D0: Data</td> </tr> <tr> <td>0</td> <td>0</td> <td>1</td> <td>1</td> <td>8-bit bus interface, 80-system, 262K-Color</td> <td>D17-D8: Unused D7-D0: Data</td> </tr> <tr> <td>0</td> <td>1</td> <td>0</td> <td>0</td> <td>16-bit bus interface, 80-system, 262K-Color</td> <td>D17-D8: Unused D7-D0: Data</td> </tr> <tr> <td>0</td> <td>1</td> <td>0</td> <td>1</td> <td>18-bit bus interface, 80-system, 262K-color</td> <td>D17-D0: Data</td> </tr> <tr> <td>1</td> <td>0</td> <td>0</td> <td>0</td> <td>16-bit bus interface, 68-system, 65K-Color</td> <td>D17-D16: Unused, D15-D0: Data</td> </tr> <tr> <td>1</td> <td>0</td> <td>0</td> <td>1</td> <td>16-bit bus interface, 68-system, 262K-color</td> <td>D17-D16: Unused, D15-D0: Data</td> </tr> <tr> <td>1</td> <td>0</td> <td>1</td> <td>0</td> <td>18-bit bus interface, 68-system, 262K-Color</td> <td>D17-D0: Data</td> </tr> <tr> <td>1</td> <td>0</td> <td>1</td> <td>1</td> <td>8-bit bus interface, 68-system, 262K-color</td> <td>D17-D8:Unused D7-D0: Data</td> </tr> <tr> <td>1</td> <td>1</td> <td>0</td> <td>0</td> <td>16-bit bus interface, 68-system, 262K-Color</td> <td>D17-D8: Unused D7-D0: Data</td> </tr> <tr> <td>1</td> <td>1</td> <td>0</td> <td>1</td> <td>18-bit bus interface, 68-system, 262K-color</td> <td>D17-D0: Data</td> </tr> <tr> <td>X</td> <td>1</td> <td>1</td> <td>ID</td> <td>Serial bus IF</td> <td>DNC_SCL, SDO,SDI</td> </tr> <tr> <td>IFSELO</td> <td>I</td> <td>1</td> <td>MPU</td> <td> Interface format select pin <table border="1"> <thead> <tr> <th>IFSELO</th> <th>Interface Format Selection</th> </tr> </thead> <tbody> <tr> <td>0</td> <td>Command-Parameter interface mode</td> </tr> <tr> <td>1</td> <td>Register-content interface mode</td> </tr> </tbody> </table> In this case, the IFSELO has to be connected to IOVCC. </td> </tr> <tr> <td>EXTC</td> <td>I</td> <td>1</td> <td>MPU</td> <td>When operate in Register-content interface mode, the EXTC has to be connected to IOVCC or VSSD.</td> </tr> <tr> <td>NCS</td> <td>I</td> <td>1</td> <td>MPU</td> <td>Chip select signal. Low: chip can be accessed; High: chip cannot be accessed. Must be connected to VSSD if not in use.</td> </tr> <tr> <td>NWR_RNW</td> <td>I</td> <td>1</td> <td>MPU</td> <td>I80 system: Serves as a write signal and writes data at the rising edge. M68 system: 0: Write, 1: Read. Fix it to IOVCC or VSSD level when using serial buss interface.</td> </tr> <tr> <td>NRD_E</td> <td>I</td> <td>1</td> <td>MPU</td> <td>I80 system: Serves as a read signal and read data at the low level. M68 system: 0: Read/Write disable, 1: Read/Write enable. Fix it to IOVCC or VSSD level when using serial buss interface.</td> </tr> <tr> <td>BURN</td> <td>I</td> <td>1</td> <td>MPU</td> <td>Free Running mode If BURN=Hi, this can enable free running mode for burn in test. The display data alternates between full black and full white independent of input data in free running mode.</td> </tr> <tr> <td>SDI</td> <td>I/O</td> <td>1</td> <td>MPU</td> <td>Serial data pin. When IFSELO=0, it is Serial data input/output pin(SDA). When IFSELO=1, it is Serial data input pin. If not used, please let it connected to IOVCC or VSSD.</td> </tr> <tr> <td>DNC_SCL</td> <td>I</td> <td>1</td> <td>MPU</td> <td>The signal for command or parameter select under parallel mode(i.e. Not serial interface): Low: command. High: parameter. When under serial interface, it servers as SCL.</td> </tr> <tr> <td>VSYNC</td> <td>I</td> <td>1</td> <td>MPU</td> <td>Frame synchronizing signal. Has to be fixed to IOVCC level if is not used.</td> </tr> </tbody> </table>	P68	BS2	BS1	BS0	Interface mode	DB pins	0	0	0	0	16-bit bus interface, 80-system, 65K-Color	D17-D16: Unused, D15-D0: Data	0	0	0	1	16-bit bus interface, 80-system, 262K-color	D17-D16: Unused, D15-D0: Data	0	0	1	0	18-bit bus interface, 80-system, 262K-color	D17-D0: Data	0	0	1	1	8-bit bus interface, 80-system, 262K-Color	D17-D8: Unused D7-D0: Data	0	1	0	0	16-bit bus interface, 80-system, 262K-Color	D17-D8: Unused D7-D0: Data	0	1	0	1	18-bit bus interface, 80-system, 262K-color	D17-D0: Data	1	0	0	0	16-bit bus interface, 68-system, 65K-Color	D17-D16: Unused, D15-D0: Data	1	0	0	1	16-bit bus interface, 68-system, 262K-color	D17-D16: Unused, D15-D0: Data	1	0	1	0	18-bit bus interface, 68-system, 262K-Color	D17-D0: Data	1	0	1	1	8-bit bus interface, 68-system, 262K-color	D17-D8:Unused D7-D0: Data	1	1	0	0	16-bit bus interface, 68-system, 262K-Color	D17-D8: Unused D7-D0: Data	1	1	0	1	18-bit bus interface, 68-system, 262K-color	D17-D0: Data	X	1	1	ID	Serial bus IF	DNC_SCL, SDO,SDI	IFSELO	I	1	MPU	Interface format select pin <table border="1"> <thead> <tr> <th>IFSELO</th> <th>Interface Format Selection</th> </tr> </thead> <tbody> <tr> <td>0</td> <td>Command-Parameter interface mode</td> </tr> <tr> <td>1</td> <td>Register-content interface mode</td> </tr> </tbody> </table> In this case, the IFSELO has to be connected to IOVCC.	IFSELO	Interface Format Selection	0	Command-Parameter interface mode	1	Register-content interface mode	EXTC	I	1	MPU	When operate in Register-content interface mode, the EXTC has to be connected to IOVCC or VSSD.	NCS	I	1	MPU	Chip select signal. Low: chip can be accessed; High: chip cannot be accessed. Must be connected to VSSD if not in use.	NWR_RNW	I	1	MPU	I80 system: Serves as a write signal and writes data at the rising edge. M68 system: 0: Write, 1: Read. Fix it to IOVCC or VSSD level when using serial buss interface.	NRD_E	I	1	MPU	I80 system: Serves as a read signal and read data at the low level. M68 system: 0: Read/Write disable, 1: Read/Write enable. Fix it to IOVCC or VSSD level when using serial buss interface.	BURN	I	1	MPU	Free Running mode If BURN=Hi, this can enable free running mode for burn in test. The display data alternates between full black and full white independent of input data in free running mode.	SDI	I/O	1	MPU	Serial data pin. When IFSELO=0, it is Serial data input/output pin(SDA). When IFSELO=1, it is Serial data input pin. If not used, please let it connected to IOVCC or VSSD.	DNC_SCL	I	1	MPU	The signal for command or parameter select under parallel mode(i.e. Not serial interface): Low: command. High: parameter. When under serial interface, it servers as SCL.	VSYNC	I	1	MPU	Frame synchronizing signal. Has to be fixed to IOVCC level if is not used.
				P68	BS2	BS1	BS0	Interface mode	DB pins																																																																																																																																		
				0	0	0	0	16-bit bus interface, 80-system, 65K-Color	D17-D16: Unused, D15-D0: Data																																																																																																																																		
				0	0	0	1	16-bit bus interface, 80-system, 262K-color	D17-D16: Unused, D15-D0: Data																																																																																																																																		
				0	0	1	0	18-bit bus interface, 80-system, 262K-color	D17-D0: Data																																																																																																																																		
				0	0	1	1	8-bit bus interface, 80-system, 262K-Color	D17-D8: Unused D7-D0: Data																																																																																																																																		
				0	1	0	0	16-bit bus interface, 80-system, 262K-Color	D17-D8: Unused D7-D0: Data																																																																																																																																		
				0	1	0	1	18-bit bus interface, 80-system, 262K-color	D17-D0: Data																																																																																																																																		
				1	0	0	0	16-bit bus interface, 68-system, 65K-Color	D17-D16: Unused, D15-D0: Data																																																																																																																																		
				1	0	0	1	16-bit bus interface, 68-system, 262K-color	D17-D16: Unused, D15-D0: Data																																																																																																																																		
				1	0	1	0	18-bit bus interface, 68-system, 262K-Color	D17-D0: Data																																																																																																																																		
				1	0	1	1	8-bit bus interface, 68-system, 262K-color	D17-D8:Unused D7-D0: Data																																																																																																																																		
1	1	0	0	16-bit bus interface, 68-system, 262K-Color	D17-D8: Unused D7-D0: Data																																																																																																																																						
1	1	0	1	18-bit bus interface, 68-system, 262K-color	D17-D0: Data																																																																																																																																						
X	1	1	ID	Serial bus IF	DNC_SCL, SDO,SDI																																																																																																																																						
IFSELO	I	1	MPU	Interface format select pin <table border="1"> <thead> <tr> <th>IFSELO</th> <th>Interface Format Selection</th> </tr> </thead> <tbody> <tr> <td>0</td> <td>Command-Parameter interface mode</td> </tr> <tr> <td>1</td> <td>Register-content interface mode</td> </tr> </tbody> </table> In this case, the IFSELO has to be connected to IOVCC.	IFSELO	Interface Format Selection	0	Command-Parameter interface mode	1	Register-content interface mode																																																																																																																																	
IFSELO	Interface Format Selection																																																																																																																																										
0	Command-Parameter interface mode																																																																																																																																										
1	Register-content interface mode																																																																																																																																										
EXTC	I	1	MPU	When operate in Register-content interface mode, the EXTC has to be connected to IOVCC or VSSD.																																																																																																																																							
NCS	I	1	MPU	Chip select signal. Low: chip can be accessed; High: chip cannot be accessed. Must be connected to VSSD if not in use.																																																																																																																																							
NWR_RNW	I	1	MPU	I80 system: Serves as a write signal and writes data at the rising edge. M68 system: 0: Write, 1: Read. Fix it to IOVCC or VSSD level when using serial buss interface.																																																																																																																																							
NRD_E	I	1	MPU	I80 system: Serves as a read signal and read data at the low level. M68 system: 0: Read/Write disable, 1: Read/Write enable. Fix it to IOVCC or VSSD level when using serial buss interface.																																																																																																																																							
BURN	I	1	MPU	Free Running mode If BURN=Hi, this can enable free running mode for burn in test. The display data alternates between full black and full white independent of input data in free running mode.																																																																																																																																							
SDI	I/O	1	MPU	Serial data pin. When IFSELO=0, it is Serial data input/output pin(SDA). When IFSELO=1, it is Serial data input pin. If not used, please let it connected to IOVCC or VSSD.																																																																																																																																							
DNC_SCL	I	1	MPU	The signal for command or parameter select under parallel mode(i.e. Not serial interface): Low: command. High: parameter. When under serial interface, it servers as SCL.																																																																																																																																							
VSYNC	I	1	MPU	Frame synchronizing signal. Has to be fixed to IOVCC level if is not used.																																																																																																																																							

Input Parts				
Signals	I/O	Pin Number	Connected with	Description
HSYNC	I	1	MPU	Frame synchronizing signal. Has to be fixed to IOVCC level if is not used.
ENABLE	I	1	MPU	A data ENABLE signal in RGB I/F mode. Has to be fixed to VSSD level if unused (High active, if EPL=0).
DOTCLK	I	1	MPU	Dot clock signal. Has to be fixed to VSSD level if is not used.
NRESET	I	1	MPU or reset circuit	Reset pin. Setting either pin low initializes the LSI. Must be reset after power is supplied.
OSC	I	1	Oscillation Resistor	Oscillator input for test purpose. If not used, please let it open or connected to VSSD.
VCOMR	I	1	Resistor or open	A VcomH reference voltage. When adjusting VcomH externally, set registers to halt the VcomH internal adjusting circuit and place a variable resistor between VREG1 and VSSD. Otherwise, leave this pin open and adjust VcomH by setting the internal register of the HX8347-A.
VGS	I	1	VSSD or external resistor	Connect to a variable resistor to adjusting internal gamma reference voltage for matching the characteristic of different panel used.

Output Part				
Signals	I/O	Pin Number	Connected with	Description
S1~S720	O	720	LCD	Output voltages applied to the liquid crystal.
G1~G320	O	320	LCD	Gate driver output pins. These pins output VGH, VGL.(If not used, should be open)
VCOM	O	1	TFT common electrode	The power supply of common voltage in TFT driving. The voltage amplitude between VCOMH and VCOML is output. Connect this pin to the common electrode in TFT panel.
TE	O	1	MPU	Tearing effect output. If not used, please open this pin.
SDO	O	1	MPU	Serial data output. If not use, let it to open.
NISD	O	1	Open	Image Sticking Discharge signal. This pin is used for monitoring image sticking discharge phenomena. When the NISD goes low, the VGL, Source and VCOM would be discharged to VSSA. When the NISD goes high, the VGL, Source and VCOM are normal operation.

Input/Output Part				
Signals	I/O	Pin Number	Connected with	Description
C11A,C11B C12A,C12B	I/O	4	Step-up Capacitor	Connect to the step-up capacitors according to the step-up factor. Leave this pin open if the internal step-up circuit is not used.
CX11A, CX11B	I/O	2	Step-up Capacitor	Connect to the step-up capacitors for step up circuit 1 operation. Leave this pin open if the internal step-up circuit is not used.
C21A,C21B C22A,C22B	I/O	4	Step-up Capacitor	Connect these pins to the capacitors for the step-up circuit 2. According to the step-up rate. When not using the step-up circuit2, disconnect them.
D17~0	I/O	18	MPU	1. 18-bit bi-directional data bus for system interface. 8-bit bus: use D7-D0 and D17-D8 unused. 16-bit bus: use D15-D0 and D17-D16 unused. 18-bit bus: use D17-D0 2. 18-bit data bus for RGB interface 16-bit bus: use D15-D0 and D17-D16 unused. 18-bit bus: use D17-D0 Connected unused pins to the VSSD level. Notice: When register RGB_EN=1 and pin ENABLE=1, D[17:0] is used as stream image data for display. It means MPU data bus and RGB data bus is shared.

Power Part				
Signals	I/O	Pin Number	Connected with	Description
IOVCC	P	1	Power Supply	Digital IO Pad power supply
VCI	P	1	Power Supply	Analog power supply
VSSD	P	1	Ground	Digital ground
VSSA	P	1	Ground	Analog ground
VDDD	O	1	Stabilizing Capacitor	Output from internal logic voltage (1.6V). Connect to a stabilizing capacitor
REGVDD	I	1	MPU	If REGVDD = high, the internal VDDD regulator will be turned on. If REGVDD = low, the internal VDDD regulator will be turned off, VDDD should connect to external power supply, the voltage range 1.65~1.95V. Must be connected to IOVCC or VSSD.
VBGP	-	1	Open	Band Gap Voltage. Let it to be open.
VREG1	P	1	Stabilizing Capacitor	Internal generated stable power for source driver unit.
VREG3	P	1	Stabilizing Capacitor	A reference voltage for VGH&VGL.
VCOMH	P	1	Stabilizing capacitor	Connect this pin to the capacitor for stabilization. This pin indicates a high level of VCOM amplitude generated in driving the VCOM alternation.
VCOML	P	1	Stabilizing capacitor	When the VCOM alternation is driven, this pin indicates a low level of VCOM amplitude. Connect this pin to a capacitor for stabilization.
VCL	P	1	Stabilizing capacitor	A negative voltage for VCOML circuit, VCL=-VCI
DDVDH	P	1	Stabilizing capacitor	An output from the step-up circuit1. Connect to a stabilizing capacitor between VSSA and DDVDH. Place a schottkey barrier diode (see "configuration of the power supply"). DDVDH =4.5 to 5.5V
VGH	P	1	Stabilizing capacitor	An output from the step-up circuit2. or 4 ~ 6 time the VCI level. The step-up rate is determined with BT3-0 bits. Connect to a stabilizing capacitor between VSSD and VGH. Place a schottkey barrier diode between VCI and VGH. Place a schottkey barrier diode (see "configuration of the power supply"). VGH=16.5V
VGL	P	1	Stabilizing capacitor	An output from the step-up circuit2. or -3 ~ -5 time the VCI level. The step-up rate is determined with BT3-0 bits. Connect to a stabilizing capacitor between VSSD and VGL. Place a schottkey barrier diode between VSSD and VGL. Place a schottkey barrier diode (see "configuration of the power supply"). VGL=min -16.5V

>> HX8347-A(T)

240RGB x 320 dot, 262K color, TFT Mobile Single Chip Driver



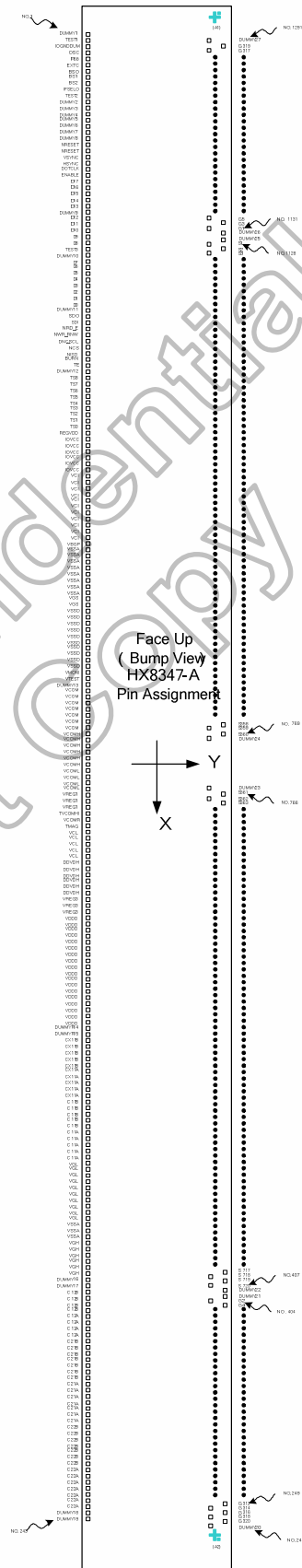
DATA SHEET Preliminary V01

Test pin and others				
Signals	I/O	Pin Number	Connected with	Description
TEST3-1	I	3	GND	Test pin input (Internal pull low)
TS8~0	O	9	Open	A test pin. Disconnect it.
VMONI	O	1	Open	A test pin. Disconnect it.
VTEST	O	1	Open	Gamma voltage of Panel test pin output. Must be left open.
TVCOMHI	O	1	Open	A test pin output. Must be left open.
TVMAG	O	1	Open	A test pin output. Must be left open.
DUMMYR14-15	-	2	Open	Dummy pads. Available for measuring the COG contact resistance. DUMMYR14 and DUMMYR15 are short-circuited within the chip.
DUMMY1-13 DUMMY16-27	-	25	Open	Dummy pads
IOGNDUM	O	1	Open	Short-circuited within the chip

Himax Confidential
Do Not Copy

4.2 Pin Assignment

- Chip Size: 17820 um x 865 um
(Including Seal-ring 20 um *2,
Scribe line 40 um *2)
- Chip Thickness: 400 um (typ.)
- Pad Location: Pad center
- Coordinate Origin: Chip center
- Au Bump Size:
 1. 50 um x 120 um
Input/Output
(No. 1~ No. 243)
 2. 16 um x 98 um
Staggered LCD output side
(No. 244 ~ No. 1291)



4.3 PAD Coordinates

No.	Pad name	X	Y	No.	Pad name	X	Y	No.	Pad name	X	Y	No.	Pad name	X	Y
1	DUMMY1	-8610	-307.5	61	TS4	-4130	-307.5	121	VCOML	70	-307.5	181	C11A	4270	-307.5
2	TEST1	-8540	-307.5	62	TS3	-4060	-307.5	122	VCOML	140	-307.5	182	C11A	4340	-307.5
3	IOGNDUM	-8470	-307.5	63	TS2	-3990	-307.5	123	VCOML	210	-307.5	183	C11A	4410	-307.5
4	OSC	-8400	-307.5	64	TS1	-3920	-307.5	124	VCOML	280	-307.5	184	C11A	4480	-307.5
5	P68	-8330	-307.5	65	TS0	-3850	-307.5	125	VREG1	350	-307.5	185	VGL	4550	-307.5
6	EXTC	-8260	-307.5	66	REGVDD	-3780	-307.5	126	VREG1	420	-307.5	186	VGL	4620	-307.5
7	BS0	-8190	-307.5	67	IOVCC	-3710	-307.5	127	VREG1	490	-307.5	187	VGL	4690	-307.5
8	BS1	-8120	-307.5	68	IOVCC	-3640	-307.5	128	TVCOMHI	560	-307.5	188	VGL	4760	-307.5
9	BS2	-8050	-307.5	69	IOVCC	-3570	-307.5	129	VCOMR	630	-307.5	189	VGL	4830	-307.5
10	IFSEL0	-7980	-307.5	70	IOVCC	-3500	-307.5	130	TMAG	700	-307.5	190	VGL	4900	-307.5
11	TEST2	-7910	-307.5	71	IOVCC	-3430	-307.5	131	VCL	770	-307.5	191	VGL	4970	-307.5
12	DUMMY2	-7840	-307.5	72	IOVCC	-3360	-307.5	132	VCL	840	-307.5	192	VGL	5040	-307.5
13	DUMMY3	-7770	-307.5	73	VCI	-3290	-307.5	133	VCL	910	-307.5	193	VGL	5110	-307.5
14	DUMMY4	-7700	-307.5	74	VCI	-3220	-307.5	134	VCL	980	-307.5	194	VGL	5180	-307.5
15	DUMMY5	-7630	-307.5	75	VCI	-3150	-307.5	135	VCL	1050	-307.5	195	VSSA	5250	-307.5
16	DUMMY6	-7560	-307.5	76	VCI	-3080	-307.5	136	DDVDH	1120	-307.5	196	VSSA	5320	-307.5
17	DUMMY7	-7490	-307.5	77	VCI	-3010	-307.5	137	DDVDH	1190	-307.5	197	VSSA	5390	-307.5
18	DUMMY8	-7420	-307.5	78	VCI	-2940	-307.5	138	DDVDH	1260	-307.5	198	VGH	5460	-307.5
19	NRESET	-7350	-307.5	79	VCI	-2870	-307.5	139	DDVDH	1330	-307.5	199	VGH	5530	-307.5
20	NRESET	-7280	-307.5	80	VCI	-2800	-307.5	140	DDVDH	1400	-307.5	200	VGH	5600	-307.5
21	VSYN	-7210	-307.5	81	VCI	-2730	-307.5	141	DDVDH	1470	-307.5	201	VGH	5670	-307.5
22	HSYN	-7140	-307.5	82	VCI	-2660	-307.5	142	VREG3	1540	-307.5	202	VGH	5740	-307.5
23	DOTCLK	-7070	-307.5	83	VCI	-2590	-307.5	143	VREG3	1610	-307.5	203	VGH	5810	-307.5
24	ENABLE	-7000	-307.5	84	VGBP	-2520	-307.5	144	VREG3	1680	-307.5	204	DUMMY16	5880	-307.5
25	D17	-6905	-307.5	85	VSSA	-2450	-307.5	145	VDDD	1750	-307.5	205	DUMMY17	5950	-307.5
26	D16	-6825	-307.5	86	VSSA	-2380	-307.5	146	VDDD	1820	-307.5	206	C12B	6020	-307.5
27	D15	-6745	-307.5	87	VSSA	-2310	-307.5	147	VDDD	1890	-307.5	207	C12B	6090	-307.5
28	D14	-6665	-307.5	88	VSSA	-2240	-307.5	148	VDDD	1960	-307.5	208	C12B	6160	-307.5
29	D13	-6585	-307.5	89	VSSA	-2170	-307.5	149	VDDD	2030	-307.5	209	C12B	6230	-307.5
30	DUMMY9	-6495	-307.5	90	VSSA	-2100	-307.5	150	VDDD	2100	-307.5	210	C12A	6300	-307.5
31	D12	-6405	-307.5	91	VSSA	-2030	-307.5	151	VDDD	2170	-307.5	211	C12A	6370	-307.5
32	D11	-6325	-307.5	92	VSSA	-1960	-307.5	152	VDDD	2240	-307.5	212	C12A	6440	-307.5
33	D10	-6245	-307.5	93	VGS	-1890	-307.5	153	VDDD	2310	-307.5	213	C12A	6510	-307.5
34	D9	-6165	-307.5	94	VGS	-1820	-307.5	154	VDDD	2380	-307.5	214	C21B	6580	-307.5
35	D8	-6085	-307.5	95	VSSD	-1750	-307.5	155	VDDD	2450	-307.5	215	C21B	6650	-307.5
36	TEST3	-5990	-307.5	96	VSSD	-1680	-307.5	156	VDDD	2520	-307.5	216	C21B	6720	-307.5
37	DUMMY10	-5920	-307.5	97	VSSD	-1610	-307.5	157	VDDD	2590	-307.5	217	C21B	6790	-307.5
38	D7	-5825	-307.5	98	VSSD	-1540	-307.5	158	VDDD	2660	-307.5	218	C21B	6860	-307.5
39	D6	-5745	-307.5	99	VSSD	-1470	-307.5	159	VDDD	2730	-307.5	219	C21B	6930	-307.5
40	D5	-5665	-307.5	100	VSSD	-1400	-307.5	160	VDDD	2800	-307.5	220	C21B	7000	-307.5
41	D4	-5585	-307.5	101	VSSD	-1330	-307.5	161	VDDD	2870	-307.5	221	C21A	7070	-307.5
42	D3	-5505	-307.5	102	VSSD	-1260	-307.5	162	VDDD	2940	-307.5	222	C21A	7140	-307.5
43	D2	-5425	-307.5	103	VSSD	-1190	-307.5	163	DUMMYR14	3010	-307.5	223	C21A	7210	-307.5
44	D1	-5345	-307.5	104	VSSD	-1120	-307.5	164	DUMMYR15	3080	-307.5	224	C21A	7280	-307.5
45	D0	-5265	-307.5	105	VMONI	-1050	-307.5	165	CX11B	3150	-307.5	225	C21A	7350	-307.5
46	DUMMY11	-5180	-307.5	106	VTEST	-980	-307.5	166	CX11B	3220	-307.5	226	C21A	7420	-307.5
47	SDO	-5110	-307.5	107	DUMMY13	-910	-307.5	167	CX11B	3290	-307.5	227	C21A	7490	-307.5
48	SDI	-5040	-307.5	108	VCOM	-840	-307.5	168	CX11B	3360	-307.5	228	C22B	7560	-307.5
49	NRD_E	-4970	-307.5	109	VCOM	-770	-307.5	169	CX11B	3430	-307.5	229	C22B	7630	-307.5
50	NWR_RNW	-4900	-307.5	110	VCOM	-700	-307.5	170	CX11A	3500	-307.5	230	C22B	7700	-307.5
51	DNC_SCL	-4830	-307.5	111	VCOM	-630	-307.5	171	CX11A	3570	-307.5	231	C22B	7770	-307.5
52	NCS	-4760	-307.5	112	VCOM	-560	-307.5	172	CX11A	3640	-307.5	232	C22B	7840	-307.5
53	NISD	-4690	-307.5	113	VCOM	-490	-307.5	173	CX11A	3710	-307.5	233	C22B	7910	-307.5
54	BURN	-4620	-307.5	114	VCOM	-420	-307.5	174	CX11A	3780	-307.5	234	C22B	7980	-307.5
55	TE	-4550	-307.5	115	VCOMH	-350	-307.5	175	C11B	3850	-307.5	235	C22A	8050	-307.5
56	DUMMY12	-4480	-307.5	116	VCOMH	-280	-307.5	176	C11B	3920	-307.5	236	C22A	8120	-307.5
57	TS8	-4410	-307.5	117	VCOMH	-210	-307.5	177	C11B	3990	-307.5	237	C22A	8190	-307.5
58	TS7	-4340	-307.5	118	VCOMH	-140	-307.5	178	C11B	4060	-307.5	238	C22A	8260	-307.5
59	TS6	-4270	-307.5	119	VCOMH	-70	-307.5	179	C11B	4130	-307.5	239	C22A	8330	-307.5
60	TS5	-4200	-307.5	120	VCOMH	0	-307.5	180	C11A	4200	-307.5	240	C22A	8400	-307.5

No.	Pad name	X	Y	No.	Pad name	X	Y	No.	Pad name	X	Y	No.	Pad name	X	Y
241	C22A	8470	-307.5	301	G208	7747	319.5	361	G88	6787	319.5	421	S706	5807	202.5
242	DUMMY18	8540	-307.5	302	G206	7731	202.5	362	G86	6771	202.5	422	S705	5791	319.5
243	DUMMY19	8610	-307.5	303	G204	7715	319.5	363	G84	6755	319.5	423	S704	5775	202.5
244	DUMMY20	8659	202.5	304	G202	7699	202.5	364	G82	6739	202.5	424	S703	5759	319.5
245	G320	8643	319.5	305	G200	7683	319.5	365	G80	6723	319.5	425	S702	5743	202.5
246	G318	8627	202.5	306	G198	7667	202.5	366	G78	6707	202.5	426	S701	5727	319.5
247	G316	8611	319.5	307	G196	7651	319.5	367	G76	6691	319.5	427	S700	5711	202.5
248	G314	8595	202.5	308	G194	7635	202.5	368	G74	6675	202.5	428	S699	5695	319.5
249	G312	8579	319.5	309	G192	7619	319.5	369	G72	6659	319.5	429	S698	5679	202.5
250	G310	8563	202.5	310	G190	7603	202.5	370	G70	6643	202.5	430	S697	5663	319.5
251	G308	8547	319.5	311	G188	7587	319.5	371	G68	6627	319.5	431	S696	5647	202.5
252	G306	8531	202.5	312	G186	7571	202.5	372	G66	6611	202.5	432	S695	5631	319.5
253	G304	8515	319.5	313	G184	7555	319.5	373	G64	6595	319.5	433	S694	5615	202.5
254	G302	8499	202.5	314	G182	7539	202.5	374	G62	6579	202.5	434	S693	5599	319.5
255	G300	8483	319.5	315	G180	7523	319.5	375	G60	6563	319.5	435	S692	5583	202.5
256	G298	8467	202.5	316	G178	7507	202.5	376	G58	6547	202.5	436	S691	5567	319.5
257	G296	8451	319.5	317	G176	7491	319.5	377	G56	6531	319.5	437	S690	5551	202.5
258	G294	8435	202.5	318	G174	7475	202.5	378	G54	6515	202.5	438	S689	5535	319.5
259	G292	8419	319.5	319	G172	7459	319.5	379	G52	6499	319.5	439	S688	5519	202.5
260	G290	8403	202.5	320	G170	7443	202.5	380	G50	6483	202.5	440	S687	5503	319.5
261	G288	8387	319.5	321	G168	7427	319.5	381	G48	6467	319.5	441	S686	5487	202.5
262	G286	8371	202.5	322	G166	7411	202.5	382	G46	6451	202.5	442	S685	5471	319.5
263	G284	8355	319.5	323	G164	7395	319.5	383	G44	6435	319.5	443	S684	5455	202.5
264	G282	8339	202.5	324	G162	7379	202.5	384	G42	6419	202.5	444	S683	5439	319.5
265	G280	8323	319.5	325	G160	7363	319.5	385	G40	6403	319.5	445	S682	5423	202.5
266	G278	8307	202.5	326	G158	7347	202.5	386	G38	6387	202.5	446	S681	5407	319.5
267	G276	8291	319.5	327	G156	7331	319.5	387	G36	6371	319.5	447	S680	5391	202.5
268	G274	8275	202.5	328	G154	7315	202.5	388	G34	6355	202.5	448	S679	5375	319.5
269	G272	8259	319.5	329	G152	7299	319.5	389	G32	6339	319.5	449	S678	5359	202.5
270	G270	8243	202.5	330	G150	7283	202.5	390	G30	6323	202.5	450	S677	5343	319.5
271	G268	8227	319.5	331	G148	7267	319.5	391	G28	6307	319.5	451	S676	5327	202.5
272	G266	8211	202.5	332	G146	7251	202.5	392	G26	6291	202.5	452	S675	5311	319.5
273	G264	8195	319.5	333	G144	7235	319.5	393	G24	6275	319.5	453	S674	5295	202.5
274	G262	8179	202.5	334	G142	7219	202.5	394	G22	6259	202.5	454	S673	5279	319.5
275	G260	8163	319.5	335	G140	7203	319.5	395	G20	6243	319.5	455	S672	5263	202.5
276	G258	8147	202.5	336	G138	7187	202.5	396	G18	6227	202.5	456	S671	5247	319.5
277	G256	8131	319.5	337	G136	7171	319.5	397	G16	6211	319.5	457	S670	5231	202.5
278	G254	8115	202.5	338	G134	7155	202.5	398	G14	6195	202.5	458	S669	5215	319.5
279	G252	8099	319.5	339	G132	7139	319.5	399	G12	6179	319.5	459	S668	5199	202.5
280	G250	8083	202.5	340	G130	7123	202.5	400	G10	6163	202.5	460	S667	5183	319.5
281	G248	8067	319.5	341	G128	7107	319.5	401	G8	6147	319.5	461	S666	5167	202.5
282	G246	8051	202.5	342	G126	7091	202.5	402	G6	6131	202.5	462	S665	5151	319.5
283	G244	8035	319.5	343	G124	7075	319.5	403	G4	6115	319.5	463	S664	5135	202.5
284	G242	8019	202.5	344	G122	7059	202.5	404	G2	6099	202.5	464	S663	5119	319.5
285	G240	8003	319.5	345	G120	7043	319.5	405	DUMMY21	6083	319.5	465	S662	5103	202.5
286	G238	7987	202.5	346	G118	7027	202.5	406	DUMMY22	6047	319.5	466	S661	5087	319.5
287	G236	7971	319.5	347	G116	7011	319.5	407	S720	6031	202.5	467	S660	5071	202.5
288	G234	7955	202.5	348	G114	6995	202.5	408	S719	6015	319.5	468	S659	5055	319.5
289	G232	7939	319.5	349	G112	6979	319.5	409	S718	5999	202.5	469	S658	5039	202.5
290	G230	7923	202.5	350	G110	6963	202.5	410	S717	5983	319.5	470	S657	5023	319.5
291	G228	7907	319.5	351	G108	6947	319.5	411	S716	5967	202.5	471	S656	5007	202.5
292	G226	7891	202.5	352	G106	6931	202.5	412	S715	5951	319.5	472	S655	4991	319.5
293	G224	7875	319.5	353	G104	6915	319.5	413	S714	5935	202.5	473	S654	4975	202.5
294	G222	7859	202.5	354	G102	6899	202.5	414	S713	5919	319.5	474	S653	4959	319.5
295	G220	7843	319.5	355	G100	6883	319.5	415	S712	5903	202.5	475	S652	4943	202.5
296	G218	7827	202.5	356	G98	6867	202.5	416	S711	5887	319.5	476	S651	4927	319.5
297	G216	7811	319.5	357	G96	6851	319.5	417	S710	5871	202.5	477	S650	4911	202.5
298	G214	7795	202.5	358	G94	6835	202.5	418	S709	5855	319.5	478	S649	4895	319.5
299	G212	7779	319.5	359	G92	6819	319.5	419	S708	5839	202.5	479	S648	4879	202.5
300	G210	7763	202.5	360	G90	6803	202.5	420	S707	5823	319.5	480	S647	4863	319.5

➤ HX8347-A(T)

240RGB x 320 dot, 262K color, TFT Mobile Single Chip Driver



DATA SHEET Preliminary V01

No.	Pad name	X	Y	No.	Pad name	X	Y	No.	Pad name	X	Y	No.	Pad name	X	Y
481	S646	4847	202.5	541	S586	3887	202.5	601	S526	2927	202.5	661	S466	1967	202.5
482	S645	4831	319.5	542	S585	3871	319.5	602	S525	2911	319.5	662	S465	1951	319.5
483	S644	4815	202.5	543	S584	3855	202.5	603	S524	2895	202.5	663	S464	1935	202.5
484	S643	4799	319.5	544	S583	3839	319.5	604	S523	2879	319.5	664	S463	1919	319.5
485	S642	4783	202.5	545	S582	3823	202.5	605	S522	2863	202.5	665	S462	1903	202.5
486	S641	4767	319.5	546	S581	3807	319.5	606	S521	2847	319.5	666	S461	1887	319.5
487	S640	4751	202.5	547	S580	3791	202.5	607	S520	2831	202.5	667	S460	1871	202.5
488	S639	4735	319.5	548	S579	3775	319.5	608	S519	2815	319.5	668	S459	1855	319.5
489	S638	4719	202.5	549	S578	3759	202.5	609	S518	2799	202.5	669	S458	1839	202.5
490	S637	4703	319.5	550	S577	3743	319.5	610	S517	2783	319.5	670	S457	1823	319.5
491	S636	4687	202.5	551	S576	3727	202.5	611	S516	2767	202.5	671	S456	1807	202.5
492	S635	4671	319.5	552	S575	3711	319.5	612	S515	2751	319.5	672	S455	1791	319.5
493	S634	4655	202.5	553	S574	3695	202.5	613	S514	2735	202.5	673	S454	1775	202.5
494	S633	4639	319.5	554	S573	3679	319.5	614	S513	2719	319.5	674	S453	1759	319.5
495	S632	4623	202.5	555	S572	3663	202.5	615	S512	2703	202.5	675	S452	1743	202.5
496	S631	4607	319.5	556	S571	3647	319.5	616	S511	2687	319.5	676	S451	1727	319.5
497	S630	4591	202.5	557	S570	3631	202.5	617	S510	2671	202.5	677	S450	1711	202.5
498	S629	4575	319.5	558	S569	3615	319.5	618	S509	2655	319.5	678	S449	1695	319.5
499	S628	4559	202.5	559	S568	3599	202.5	619	S508	2639	202.5	679	S448	1679	202.5
500	S627	4543	319.5	560	S567	3583	319.5	620	S507	2623	319.5	680	S447	1663	319.5
501	S626	4527	202.5	561	S566	3567	202.5	621	S506	2607	202.5	681	S446	1647	202.5
502	S625	4511	319.5	562	S565	3551	319.5	622	S505	2591	319.5	682	S445	1631	319.5
503	S624	4495	202.5	563	S564	3535	202.5	623	S504	2575	202.5	683	S444	1615	202.5
504	S623	4479	319.5	564	S563	3519	319.5	624	S503	2559	319.5	684	S443	1599	319.5
505	S622	4463	202.5	565	S562	3503	202.5	625	S502	2543	202.5	685	S442	1583	202.5
506	S621	4447	319.5	566	S561	3487	319.5	626	S501	2527	319.5	686	S441	1567	319.5
507	S620	4431	202.5	567	S560	3471	202.5	627	S500	2511	202.5	687	S440	1551	202.5
508	S619	4415	319.5	568	S559	3455	319.5	628	S499	2495	319.5	688	S439	1535	319.5
509	S618	4399	202.5	569	S558	3439	202.5	629	S498	2479	202.5	689	S438	1519	202.5
510	S617	4383	319.5	570	S557	3423	319.5	630	S497	2463	319.5	690	S437	1503	319.5
511	S616	4367	202.5	571	S556	3407	202.5	631	S496	2447	202.5	691	S436	1487	202.5
512	S615	4351	319.5	572	S555	3391	319.5	632	S495	2431	319.5	692	S435	1471	319.5
513	S614	4335	202.5	573	S554	3375	202.5	633	S494	2415	202.5	693	S434	1455	202.5
514	S613	4319	319.5	574	S553	3359	319.5	634	S493	2399	319.5	694	S433	1439	319.5
515	S612	4303	202.5	575	S552	3343	202.5	635	S492	2383	202.5	695	S432	1423	202.5
516	S611	4287	319.5	576	S551	3327	319.5	636	S491	2367	319.5	696	S431	1407	319.5
517	S610	4271	202.5	577	S550	3311	202.5	637	S490	2351	202.5	697	S430	1391	202.5
518	S609	4255	319.5	578	S549	3295	319.5	638	S489	2335	319.5	698	S429	1375	319.5
519	S608	4239	202.5	579	S548	3279	202.5	639	S488	2319	202.5	699	S428	1359	202.5
520	S607	4223	319.5	580	S547	3263	319.5	640	S487	2303	319.5	700	S427	1343	319.5
521	S606	4207	202.5	581	S546	3247	202.5	641	S486	2287	202.5	701	S426	1327	202.5
522	S605	4191	319.5	582	S545	3231	319.5	642	S485	2271	319.5	702	S425	1311	319.5
523	S604	4175	202.5	583	S544	3215	202.5	643	S484	2255	202.5	703	S424	1295	202.5
524	S603	4159	319.5	584	S543	3199	319.5	644	S483	2239	319.5	704	S423	1279	319.5
525	S602	4143	202.5	585	S542	3183	202.5	645	S482	2223	202.5	705	S422	1263	202.5
526	S601	4127	319.5	586	S541	3167	319.5	646	S481	2207	319.5	706	S421	1247	319.5
527	S600	4111	202.5	587	S540	3151	202.5	647	S480	2191	202.5	707	S420	1231	202.5
528	S599	4095	319.5	588	S539	3135	319.5	648	S479	2175	319.5	708	S419	1215	319.5
529	S598	4079	202.5	589	S538	3119	202.5	649	S478	2159	202.5	709	S418	1199	202.5
530	S597	4063	319.5	590	S537	3103	319.5	650	S477	2143	319.5	710	S417	1183	319.5
531	S596	4047	202.5	591	S536	3087	202.5	651	S476	2127	202.5	711	S416	1167	202.5
532	S595	4031	319.5	592	S535	3071	319.5	652	S475	2111	319.5	712	S415	1151	319.5
533	S594	4015	202.5	593	S534	3055	202.5	653	S474	2095	202.5	713	S414	1135	202.5
534	S593	3999	319.5	594	S533	3039	319.5	654	S473	2079	319.5	714	S413	1119	319.5
535	S592	3983	202.5	595	S532	3023	202.5	655	S472	2063	202.5	715	S412	1103	202.5
536	S591	3967	319.5	596	S531	3007	319.5	656	S471	2047	319.5	716	S411	1087	319.5
537	S590	3951	202.5	597	S530	2991	202.5	657	S470	2031	202.5	717	S410	1071	202.5
538	S589	3935	319.5	598	S529	2975	319.5	658	S469	2015	319.5	718	S409	1055	319.5
539	S588	3919	202.5	599	S528	2959	202.5	659	S468	1999	202.5	719	S408	1039	202.5
540	S587	3903	319.5	600	S527	2943	319.5	660	S467	1983	319.5	720	S407	1023	319.5

No.	Pad name	X	Y	No.	Pad name	X	Y	No.	Pad name	X	Y	No.	Pad name	X	Y
721	S406	1007	202.5	781	S348	-479	319.5	841	S288	-1439	319.5	901	S228	-2399	319.5
722	S405	991	319.5	782	S347	-495	202.5	842	S287	-1455	202.5	902	S227	-2415	202.5
723	S404	975	202.5	783	S346	-511	319.5	843	S286	-1471	319.5	903	S226	-2431	319.5
724	S403	959	319.5	784	S345	-527	202.5	844	S285	-1487	202.5	904	S225	-2447	202.5
725	S402	943	202.5	785	S344	-543	319.5	845	S284	-1503	319.5	905	S224	-2463	319.5
726	S401	927	319.5	786	S343	-559	202.5	846	S283	-1519	202.5	906	S223	-2479	202.5
727	S400	911	202.5	787	S342	-575	319.5	847	S282	-1535	319.5	907	S222	-2495	319.5
728	S399	895	319.5	788	S341	-591	202.5	848	S281	-1551	202.5	908	S221	-2511	202.5
729	S398	879	202.5	789	S340	-607	319.5	849	S280	-1567	319.5	909	S220	-2527	319.5
730	S397	863	319.5	790	S339	-623	202.5	850	S279	-1583	202.5	910	S219	-2543	202.5
731	S396	847	202.5	791	S338	-639	319.5	851	S278	-1599	319.5	911	S218	-2559	319.5
732	S395	831	319.5	792	S337	-655	202.5	852	S277	-1615	202.5	912	S217	-2575	202.5
733	S394	815	202.5	793	S336	-671	319.5	853	S276	-1631	319.5	913	S216	-2591	319.5
734	S393	799	319.5	794	S335	-687	202.5	854	S275	-1647	202.5	914	S215	-2607	202.5
735	S392	783	202.5	795	S334	-703	319.5	855	S274	-1663	319.5	915	S214	-2623	319.5
736	S391	767	319.5	796	S333	-719	202.5	856	S273	-1679	202.5	916	S213	-2639	202.5
737	S390	751	202.5	797	S332	-735	319.5	857	S272	-1695	319.5	917	S212	-2655	319.5
738	S389	735	319.5	798	S331	-751	202.5	858	S271	-1711	202.5	918	S211	-2671	202.5
739	S388	719	202.5	799	S330	-767	319.5	859	S270	-1727	319.5	919	S210	-2687	319.5
740	S387	703	319.5	800	S329	-783	202.5	860	S269	-1743	202.5	920	S209	-2703	202.5
741	S386	687	202.5	801	S328	-799	319.5	861	S268	-1759	319.5	921	S208	-2719	319.5
742	S385	671	319.5	802	S327	-815	202.5	862	S267	-1775	202.5	922	S207	-2735	202.5
743	S384	655	202.5	803	S326	-831	319.5	863	S266	-1791	319.5	923	S206	-2751	319.5
744	S383	639	319.5	804	S325	-847	202.5	864	S265	-1807	202.5	924	S205	-2767	202.5
745	S382	623	202.5	805	S324	-863	319.5	865	S264	-1823	319.5	925	S204	-2783	319.5
746	S381	607	319.5	806	S323	-879	202.5	866	S263	-1839	202.5	926	S203	-2799	202.5
747	S380	591	202.5	807	S322	-895	319.5	867	S262	-1855	319.5	927	S202	-2815	319.5
748	S379	575	319.5	808	S321	-911	202.5	868	S261	-1871	202.5	928	S201	-2831	202.5
749	S378	559	202.5	809	S320	-927	319.5	869	S260	-1887	319.5	929	S200	-2847	319.5
750	S377	543	319.5	810	S319	-943	202.5	870	S259	-1903	202.5	930	S199	-2863	202.5
751	S376	527	202.5	811	S318	-959	319.5	871	S258	-1919	319.5	931	S198	-2879	319.5
752	S375	511	319.5	812	S317	-975	202.5	872	S257	-1935	202.5	932	S197	-2895	202.5
753	S374	495	202.5	813	S316	-991	319.5	873	S256	-1951	319.5	933	S196	-2911	319.5
754	S373	479	319.5	814	S315	-1007	202.5	874	S255	-1967	202.5	934	S195	-2927	202.5
755	S372	463	202.5	815	S314	-1023	319.5	875	S254	-1983	319.5	935	S194	-2943	319.5
756	S371	447	319.5	816	S313	-1039	202.5	876	S253	-1999	202.5	936	S193	-2959	202.5
757	S370	431	202.5	817	S312	-1055	319.5	877	S252	-2015	319.5	937	S192	-2975	319.5
758	S369	415	319.5	818	S311	-1071	202.5	878	S251	-2031	202.5	938	S191	-2991	202.5
759	S368	399	202.5	819	S310	-1087	319.5	879	S250	-2047	319.5	939	S190	-3007	319.5
760	S367	383	319.5	820	S309	-1103	202.5	880	S249	-2063	202.5	940	S189	-3023	202.5
761	S366	367	202.5	821	S308	-1119	319.5	881	S248	-2079	319.5	941	S188	-3039	319.5
762	S365	351	319.5	822	S307	-1135	202.5	882	S247	-2095	202.5	942	S187	-3055	202.5
763	S364	335	202.5	823	S306	-1151	319.5	883	S246	-2111	319.5	943	S186	-3071	319.5
764	S363	319	319.5	824	S305	-1167	202.5	884	S245	-2127	202.5	944	S185	-3087	202.5
765	S362	303	202.5	825	S304	-1183	319.5	885	S244	-2143	319.5	945	S184	-3103	319.5
766	S361	287	319.5	826	S303	-1199	202.5	886	S243	-2159	202.5	946	S183	-3119	202.5
767	DUMMY23	271	202.5	827	S302	-1215	319.5	887	S242	-2175	319.5	947	S182	-3135	319.5
768	DUMMY24	-271	202.5	828	S301	-1231	202.5	888	S241	-2191	202.5	948	S181	-3151	202.5
769	S360	-287	319.5	829	S300	-1247	319.5	889	S240	-2207	319.5	949	S180	-3167	319.5
770	S359	-303	202.5	830	S299	-1263	202.5	890	S239	-2223	202.5	950	S179	-3183	202.5
771	S358	-319	319.5	831	S298	-1279	319.5	891	S238	-2239	319.5	951	S178	-3199	319.5
772	S357	-335	202.5	832	S297	-1295	202.5	892	S237	-2255	202.5	952	S177	-3215	202.5
773	S356	-351	319.5	833	S296	-1311	319.5	893	S236	-2271	319.5	953	S176	-3231	319.5
774	S355	-367	202.5	834	S295	-1327	202.5	894	S235	-2287	202.5	954	S175	-3247	202.5
775	S354	-383	319.5	835	S294	-1343	319.5	895	S234	-2303	319.5	955	S174	-3263	319.5
776	S353	-399	202.5	836	S293	-1359	202.5	896	S233	-2319	202.5	956	S173	-3279	202.5
777	S352	-415	319.5	837	S292	-1375	319.5	897	S232	-2335	319.5	957	S172	-3295	319.5
778	S351	-431	202.5	838	S291	-1391	202.5	898	S231	-2351	202.5	958	S171	-3311	202.5
779	S350	-447	319.5	839	S290	-1407	319.5	899	S230	-2367	319.5	959	S170	-3327	319.5
780	S349	-463	202.5	840	S289	-1423	202.5	900	S229	-2383	202.5	960	S169	-3343	202.5

No.	Pad name	X	Y	No.	Pad name	X	Y	No.	Pad name	X	Y	No.	Pad name	X	Y
961	S168	-3359	319.5	1021	S108	-4319	319.5	1081	S48	-5279	319.5	1141	G21	-6259	202.5
962	S167	-3375	202.5	1022	S107	-4335	202.5	1082	S47	-5295	202.5	1142	G23	-6275	319.5
963	S166	-3391	319.5	1023	S106	-4351	319.5	1083	S46	-5311	319.5	1143	G25	-6291	202.5
964	S165	-3407	202.5	1024	S105	-4367	202.5	1084	S45	-5327	202.5	1144	G27	-6307	319.5
965	S164	-3423	319.5	1025	S104	-4383	319.5	1085	S44	-5343	319.5	1145	G29	-6323	202.5
966	S163	-3439	202.5	1026	S103	-4399	202.5	1086	S43	-5359	202.5	1146	G31	-6339	319.5
967	S162	-3455	319.5	1027	S102	-4415	319.5	1087	S42	-5375	319.5	1147	G33	-6355	202.5
968	S161	-3471	202.5	1028	S101	-4431	202.5	1088	S41	-5391	202.5	1148	G35	-6371	319.5
969	S160	-3487	319.5	1029	S100	-4447	319.5	1089	S40	-5407	319.5	1149	G37	-6387	202.5
970	S159	-3503	202.5	1030	S99	-4463	202.5	1090	S39	-5423	202.5	1150	G39	-6403	319.5
971	S158	-3519	319.5	1031	S98	-4479	319.5	1091	S38	-5439	319.5	1151	G41	-6419	202.5
972	S157	-3535	202.5	1032	S97	-4495	202.5	1092	S37	-5455	202.5	1152	G43	-6435	319.5
973	S156	-3551	319.5	1033	S96	-4511	319.5	1093	S36	-5471	319.5	1153	G45	-6451	202.5
974	S155	-3567	202.5	1034	S95	-4527	202.5	1094	S35	-5487	202.5	1154	G47	-6467	319.5
975	S154	-3583	319.5	1035	S94	-4543	319.5	1095	S34	-5503	319.5	1155	G49	-6483	202.5
976	S153	-3599	202.5	1036	S93	-4559	202.5	1096	S33	-5519	202.5	1156	G51	-6499	319.5
977	S152	-3615	319.5	1037	S92	-4575	319.5	1097	S32	-5535	319.5	1157	G53	-6515	202.5
978	S151	-3631	202.5	1038	S91	-4591	202.5	1098	S31	-5551	202.5	1158	G55	-6531	319.5
979	S150	-3647	319.5	1039	S90	-4607	319.5	1099	S30	-5567	319.5	1159	G57	-6547	202.5
980	S149	-3663	202.5	1040	S89	-4623	202.5	1100	S29	-5583	202.5	1160	G59	-6563	319.5
981	S148	-3679	319.5	1041	S88	-4639	319.5	1101	S28	-5599	319.5	1161	G61	-6579	202.5
982	S147	-3695	202.5	1042	S87	-4655	202.5	1102	S27	-5615	202.5	1162	G63	-6595	319.5
983	S146	-3711	319.5	1043	S86	-4671	319.5	1103	S26	-5631	319.5	1163	G65	-6611	202.5
984	S145	-3727	202.5	1044	S85	-4687	202.5	1104	S25	-5647	202.5	1164	G67	-6627	319.5
985	S144	-3743	319.5	1045	S84	-4703	319.5	1105	S24	-5663	319.5	1165	G69	-6643	202.5
986	S143	-3759	202.5	1046	S83	-4719	202.5	1106	S23	-5679	202.5	1166	G71	-6659	319.5
987	S142	-3775	319.5	1047	S82	-4735	319.5	1107	S22	-5695	319.5	1167	G73	-6675	202.5
988	S141	-3791	202.5	1048	S81	-4751	202.5	1108	S21	-5711	202.5	1168	G75	-6691	319.5
989	S140	-3807	319.5	1049	S80	-4767	319.5	1109	S20	-5727	319.5	1169	G77	-6707	202.5
990	S139	-3823	202.5	1050	S79	-4783	202.5	1110	S19	-5743	202.5	1170	G79	-6723	319.5
991	S138	-3839	319.5	1051	S78	-4799	319.5	1111	S18	-5759	319.5	1171	G81	-6739	202.5
992	S137	-3855	202.5	1052	S77	-4815	202.5	1112	S17	-5775	202.5	1172	G83	-6755	319.5
993	S136	-3871	319.5	1053	S76	-4831	319.5	1113	S16	-5791	319.5	1173	G85	-6771	202.5
994	S135	-3887	202.5	1054	S75	-4847	202.5	1114	S15	-5807	202.5	1174	G87	-6787	319.5
995	S134	-3903	319.5	1055	S74	-4863	319.5	1115	S14	-5823	319.5	1175	G89	-6803	202.5
996	S133	-3919	202.5	1056	S73	-4879	202.5	1116	S13	-5839	202.5	1176	G91	-6819	319.5
997	S132	-3935	319.5	1057	S72	-4895	319.5	1117	S12	-5855	319.5	1177	G93	-6835	202.5
998	S131	-3951	202.5	1058	S71	-4911	202.5	1118	S11	-5871	202.5	1178	G95	-6851	319.5
999	S130	-3967	319.5	1059	S70	-4927	319.5	1119	S10	-5887	319.5	1179	G97	-6867	202.5
1000	S129	-3983	202.5	1060	S69	-4943	202.5	1120	S9	-5903	202.5	1180	G99	-6883	319.5
1001	S128	-3999	319.5	1061	S68	-4959	319.5	1121	S8	-5919	319.5	1181	G101	-6899	202.5
1002	S127	-4015	202.5	1062	S67	-4975	202.5	1122	S7	-5935	202.5	1182	G103	-6915	319.5
1003	S126	-4031	319.5	1063	S66	-4991	319.5	1123	S6	-5951	319.5	1183	G105	-6931	202.5
1004	S125	-4047	202.5	1064	S65	-5007	202.5	1124	S5	-5967	202.5	1184	G107	-6947	319.5
1005	S124	-4063	319.5	1065	S64	-5023	319.5	1125	S4	-5983	319.5	1185	G109	-6963	202.5
1006	S123	-4079	202.5	1066	S63	-5039	202.5	1126	S3	-5999	202.5	1186	G111	-6979	319.5
1007	S122	-4095	319.5	1067	S62	-5055	319.5	1127	S2	-6015	319.5	1187	G113	-6995	202.5
1008	S121	-4111	202.5	1068	S61	-5071	202.5	1128	S1	-6031	202.5	1188	G115	-7011	319.5
1009	S120	-4127	319.5	1069	S60	-5087	319.5	1129	DUMMY25	-6047	319.5	1189	G117	-7027	202.5
1010	S119	-4143	202.5	1070	S59	-5103	202.5	1130	DUMMY26	-6063	319.5	1190	G119	-7043	319.5
1011	S118	-4159	319.5	1071	S58	-5119	319.5	1131	G1	-6079	202.5	1191	G121	-7059	202.5
1012	S117	-4175	202.5	1072	S57	-5135	202.5	1132	G3	-6115	319.5	1192	G123	-7075	319.5
1013	S116	-4191	319.5	1073	S56	-5151	319.5	1133	G5	-6131	202.5	1193	G125	-7091	202.5
1014	S115	-4207	202.5	1074	S55	-5167	202.5	1134	G7	-6147	319.5	1194	G127	-7107	319.5
1015	S114	-4223	319.5	1075	S54	-5183	319.5	1135	G9	-6163	202.5	1195	G129	-7123	202.5
1016	S113	-4239	202.5	1076	S53	-5199	202.5	1136	G11	-6179	319.5	1196	G131	-7139	319.5
1017	S112	-4255	319.5	1077	S52	-5215	319.5	1137	G13	-6195	202.5	1197	G133	-7155	202.5
1018	S111	-4271	202.5	1078	S51	-5231	202.5	1138	G15	-6211	319.5	1198	G135	-7171	319.5
1019	S110	-4287	319.5	1079	S50	-5247	319.5	1139	G17	-6227	202.5	1199	G137	-7187	202.5
1020	S109	-4303	202.5	1080	S49	-5263	202.5	1140	G19	-6243	319.5	1200	G139	-7203	319.5

HX8347-A(T)

240RGB x 320 dot, 262K color, TFT Mobile Single Chip Driver



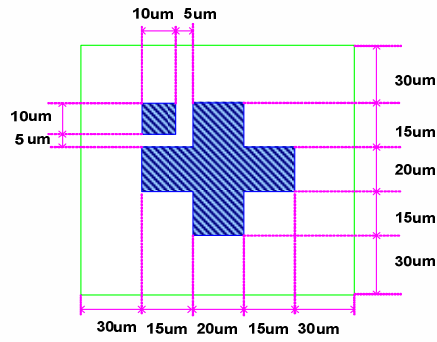
DATA SHEET Preliminary V01

No.	Pad name	X	Y	No.	Pad name	X	Y
1201	G141	-7219	202.5	1261	G261	-8179	202.5
1202	G143	-7235	319.5	1262	G263	-8195	319.5
1203	G145	-7251	202.5	1263	G265	-8211	202.5
1204	G147	-7267	319.5	1264	G267	-8227	319.5
1205	G149	-7283	202.5	1265	G269	-8243	202.5
1206	G151	-7299	319.5	1266	G271	-8259	319.5
1207	G153	-7315	202.5	1267	G273	-8275	202.5
1208	G155	-7331	319.5	1268	G275	-8291	319.5
1209	G157	-7347	202.5	1269	G277	-8307	202.5
1210	G159	-7363	319.5	1270	G279	-8323	319.5
1211	G161	-7379	202.5	1271	G281	-8339	202.5
1212	G163	-7395	319.5	1272	G283	-8355	319.5
1213	G165	-7411	202.5	1273	G285	-8371	202.5
1214	G167	-7427	319.5	1274	G287	-8387	319.5
1215	G169	-7443	202.5	1275	G289	-8403	202.5
1216	G171	-7459	319.5	1276	G291	-8419	319.5
1217	G173	-7475	202.5	1277	G293	-8435	202.5
1218	G175	-7491	319.5	1278	G295	-8451	319.5
1219	G177	-7507	202.5	1279	G297	-8467	202.5
1220	G179	-7523	319.5	1280	G299	-8483	319.5
1221	G181	-7539	202.5	1281	G301	-8499	202.5
1222	G183	-7555	319.5	1282	G303	-8515	319.5
1223	G185	-7571	202.5	1283	G305	-8531	202.5
1224	G187	-7587	319.5	1284	G307	-8547	319.5
1225	G189	-7603	202.5	1285	G309	-8563	202.5
1226	G191	-7619	319.5	1286	G311	-8579	319.5
1227	G193	-7635	202.5	1287	G313	-8595	202.5
1228	G195	-7651	319.5	1288	G315	-8611	319.5
1229	G197	-7667	202.5	1289	G317	-8627	202.5
1230	G199	-7683	319.5	1290	G319	-8643	319.5
1231	G201	-7699	202.5	1291	DUMMY27	-8659	202.5
1232	G203	-7715	319.5				
1233	G205	-7731	202.5				
1234	G207	-7747	319.5				
1235	G209	-7763	202.5				
1236	G211	-7779	319.5				
1237	G213	-7795	202.5				
1238	G215	-7811	319.5				
1239	G217	-7827	202.5				
1240	G219	-7843	319.5				
1241	G221	-7859	202.5				
1242	G223	-7875	319.5				
1243	G225	-7891	202.5				
1244	G227	-7907	319.5				
1245	G229	-7923	202.5				
1246	G231	-7939	319.5				
1247	G233	-7955	202.5				
1248	G235	-7971	319.5				
1249	G237	-7987	202.5				
1250	G239	-8003	319.5				
1251	G241	-8019	202.5				
1252	G243	-8035	319.5				
1253	G245	-8051	202.5				
1254	G247	-8067	319.5				
1255	G249	-8083	202.5				
1256	G251	-8099	319.5				
1257	G253	-8115	202.5				
1258	G255	-8131	319.5				
1259	G257	-8147	202.5				
1260	G259	-8163	319.5				

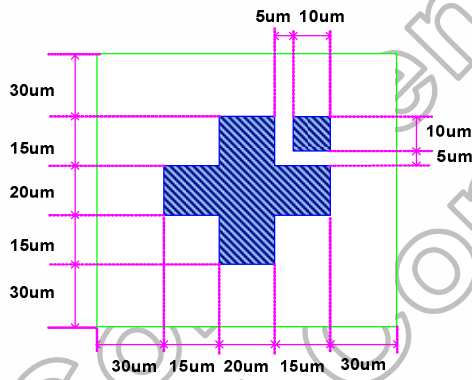
Alignment mark	X	Y
A1	-8751	269
A2	8751	269

4.4 Alignment Mark

A_MARK (A1)

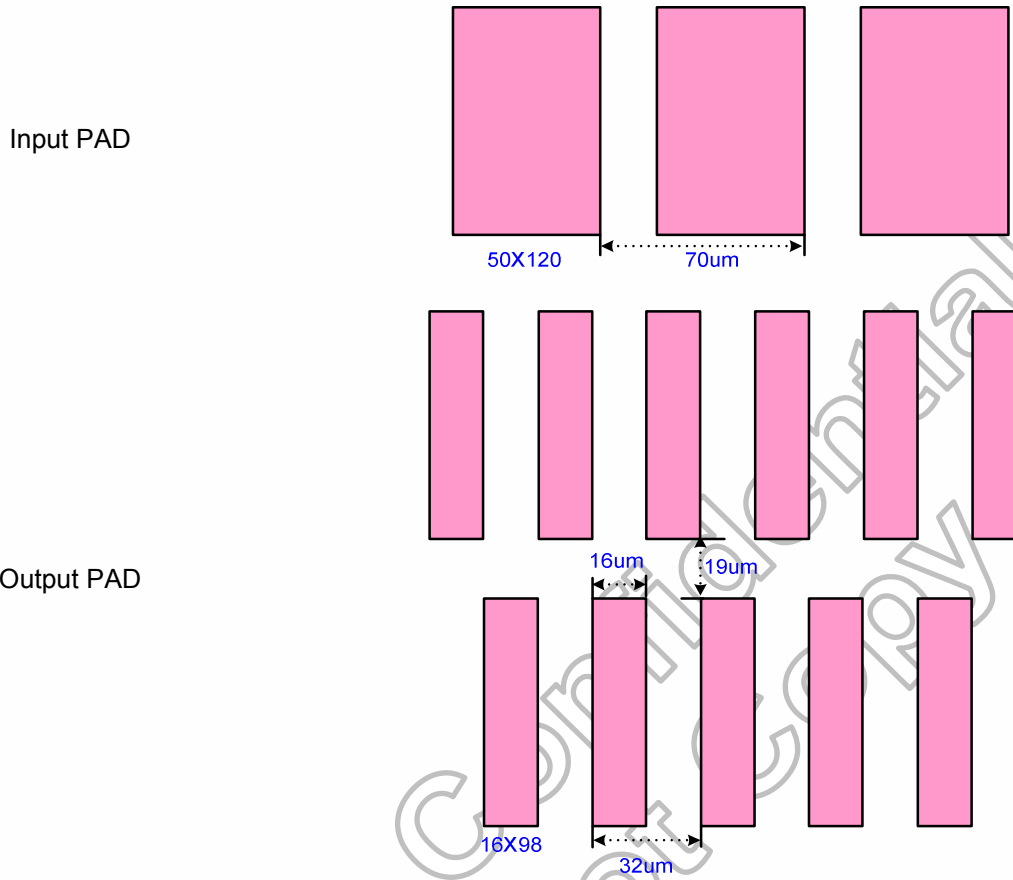


A_MARK (A2)



Himax Confidential
Do Not Copy

4.5 Bump Size



5. Function Description

5.1 Interface Control Mode

The HX8347-A supports three-type interface mode: Command-Parameter interface mode, Register-Content interface mode, and RGB interface mode

Command-Parameter interface mode or Register-Content interface mode is active by the external pins IFSEL0.

RGB interface mode is active by internal bit RGB_EN setting as shown in Table5.1. There are two-type chip access formats in HX8347-A. One is register command for chip internal operation; the other is display data for chip display.

REG_EN is stored in OTP for user application.

IFSEL0	RGB_EN	Register Data	Display Data	Referenced Nokia spec
0	0	Command-parameter interface	From SRAM	Follow DMIF-S50AP-K124
0	1	Command-parameter interface	Sleep out Normal Display On From RGB interface Sleep out Partial Mode On From SRAM	Follow DMIF-S50AP-P01 Except Full memory instead of Partial memory
1	0	Register-Content interface mode	From SRAM	No
1	1	Register-Content interface mode	Normal display From RGB interface Partial Mode From SRAM	No

Table 5. 1 Interface Mode Selection

There are two-type register groups in HX8347-A. One is accessed only via Command-Parameter interface. The other is accessed only via Register-Content interface.

This manual description focuses on Register-Content interface mode and RGB interface mode, about the Command-Parameter interface mode, please refer to the HX8347-A(N) datasheet for detail.

5.1.1 Register-Content Interface Mode

The register-content interface circuit in HX8347-A supports 18-/16-/8-bit bus width parallel bus system interface for I80 series and M68 series CPU, and serial bus system interface for serial data input. When NCS = “L”, the parallel and serial bus system interface of the HX8347-A become active and data transfer through the interface circuit is available. The DNC_SCL pin specifies whether the system interface circuit access is to the register command or to the GRAM. The input bus width format of system interface circuit is selected by external pins BS (2-0) setting. For selecting the input bus format, please refer to Table5.7 and Table5.8.

In Register-Content interface, it includes an Index Register (IR) to store index data of internal control register and GRAM. Therefore, the IR can be written with the index pointer of the control register through data bus by setting DNC_SCL=0. Then the command or GRAM data can be written to register at which that index pointer pointed by setting DNC_SCL=1.

Furthermore, there are two 18-bit bus control registers used to temporarily store the data written to or read from the GRAM. When the data is written into the GRAM from the MPU, it is first written into the write-data latch and then automatically written into the GRAM by internal operation. Data is read through the read-data latch when reading from the GRAM. Therefore, the first read data operation is invalid and the following read data operations are valid.

P68	Input Signal Format Selection
0	Format for I80 series MPU
1	Format for M68 series MPU

Table 5. 2 MPU Selection in Command-Parameter Interface Circuit

BS2	BS1	BS0	Interface	Transferring Method of GRAM data	Transferring Method of Command
0	0	0	16-bit system interface	16-bit 65K-color	8-bit collective
0	0	1	16-bit system interface	18-bit 262K-color (16+2)	
0	1	0	18-bit system interface	18-bit 262K-color	
0	1	1	8-bit system interface	18-bit 262K-color (8+8+8)	
1	0	0	16-bit system interface	18-bit 262K-color (16+2)	
1	0	1	18-bit system interface	18-bit 262K-color	
1	1	ID	Serial interface	Select by register 3Ah	

Table 5. 3 Interface Selection in Register-Content Interface Mode

5.1.2.1 Parallel Bus System Interface

The input / output data from data pins (D17-0) and signal operation of the I80/M68 series parallel bus interface are listed in Table 5.9 and Table 5.10.

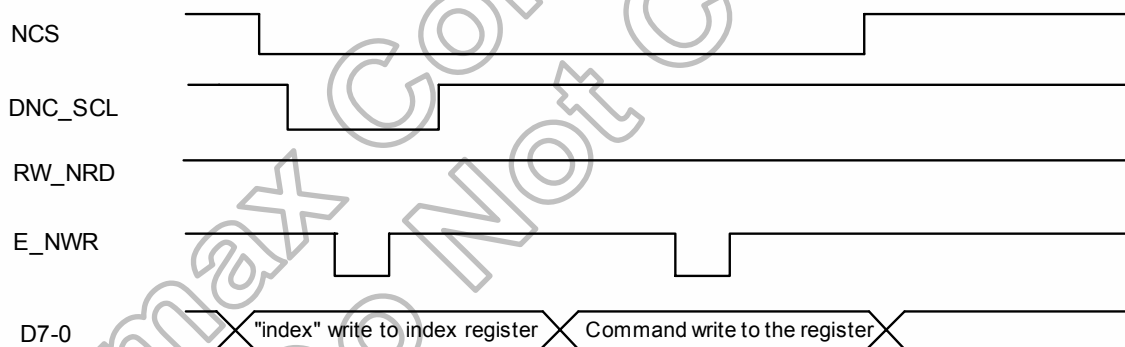
Operations	E_NWR	RW_NRD	DNC_SCL
Writes Indexes into IR	0	1	0
Reads internal status	1	0	0
Writes command into register or data into GRAM	0	1	1
Reads command from register or data from GRAM	1	0	1

Table 5. 4 Data Pin Function for I80 Series CPU

Operations	E_NWR	RW_NRD	DNC_SCL
Writes Indexes into IR	1	0	0
Reads internal status	1	1	0
Writes command into register or data into GRAM	1	0	1
Reads command from register or data from GRAM	1	1	1

Table 5. 5 Data Pin Function for M68 Series CPU

Write to the register



Read the register

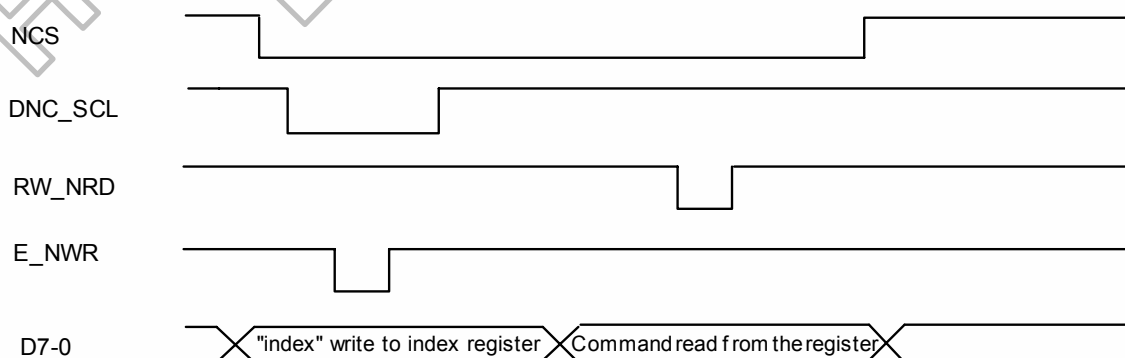
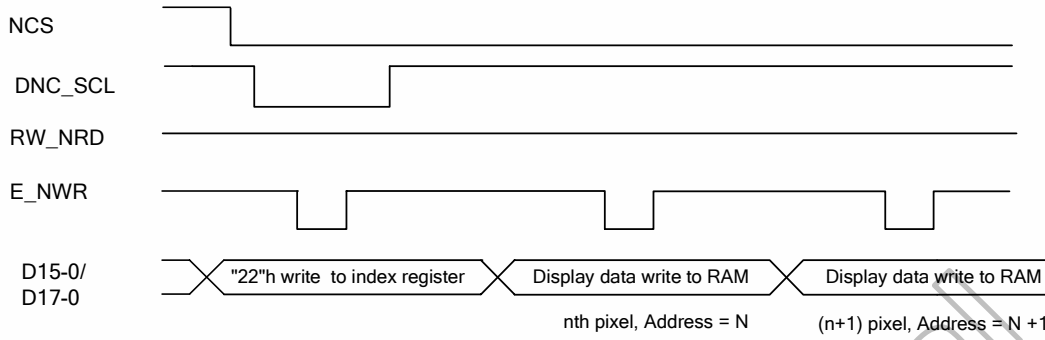
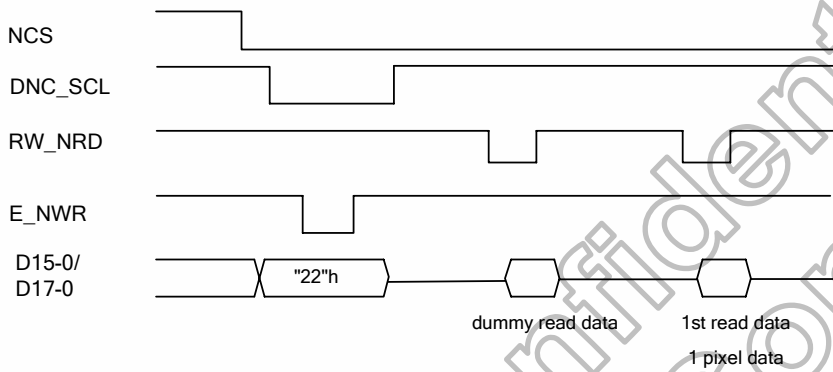


Figure 5. 1 Register Read/Write Timing in Parallel Bus System Interface (for I80 Series MPU)

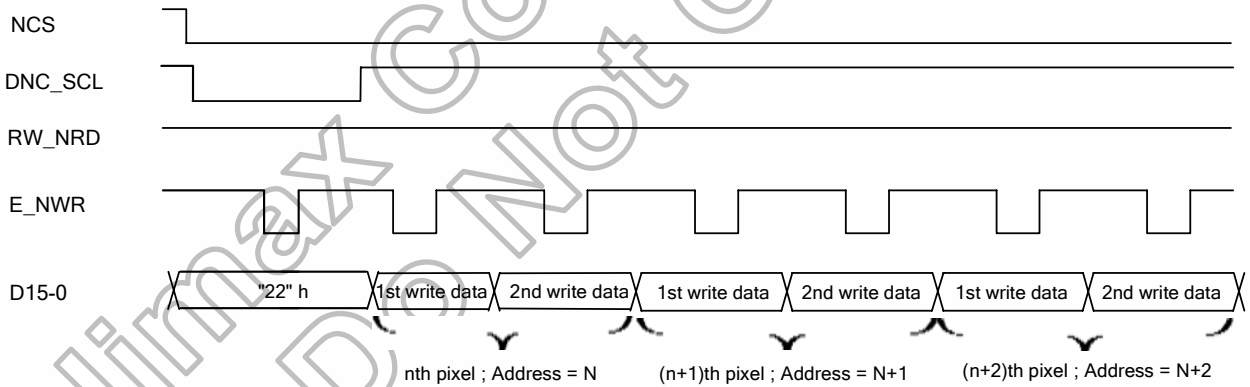
Write to the graphic RAM (16-bit 65K Color / 18-bit bit 262K Color)



Read the graphic RAM (16-bit 65K Color / 18-bit bit 262K Color)



Write to the graphic RAM (16+2-bit 262K Color)



Read the graphic RAM (16+2 bit 262K Color)

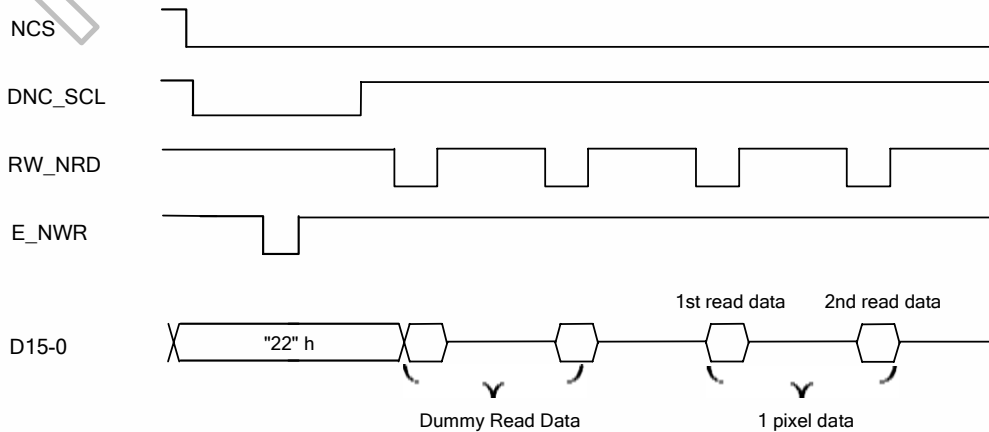
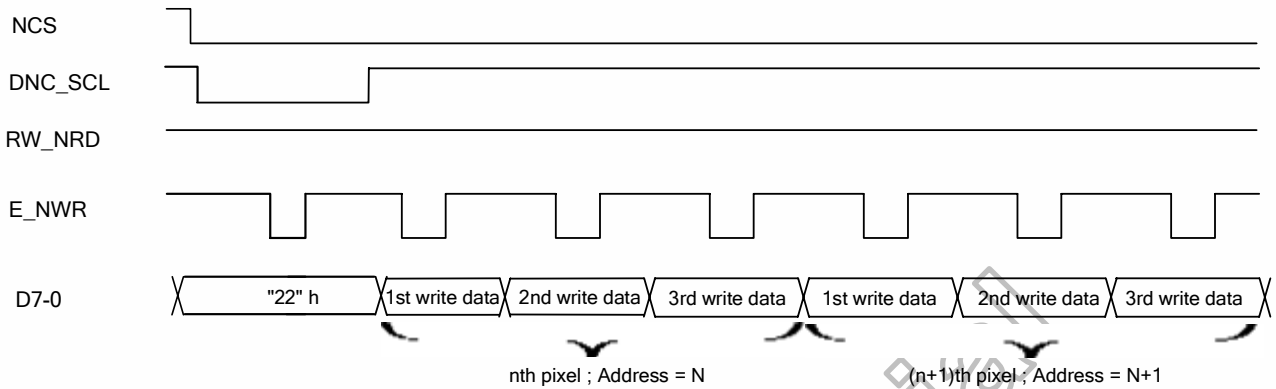


Figure 5. 2 GRAM Read/Write Timing in 16-/18-Bit Parallel Bus System Interface (for I80 Series MPU)

Write to the graphic RAM (6+6+6-bit 262K Color)



Read the graphic RAM (6+6+6-bit 262K Color)

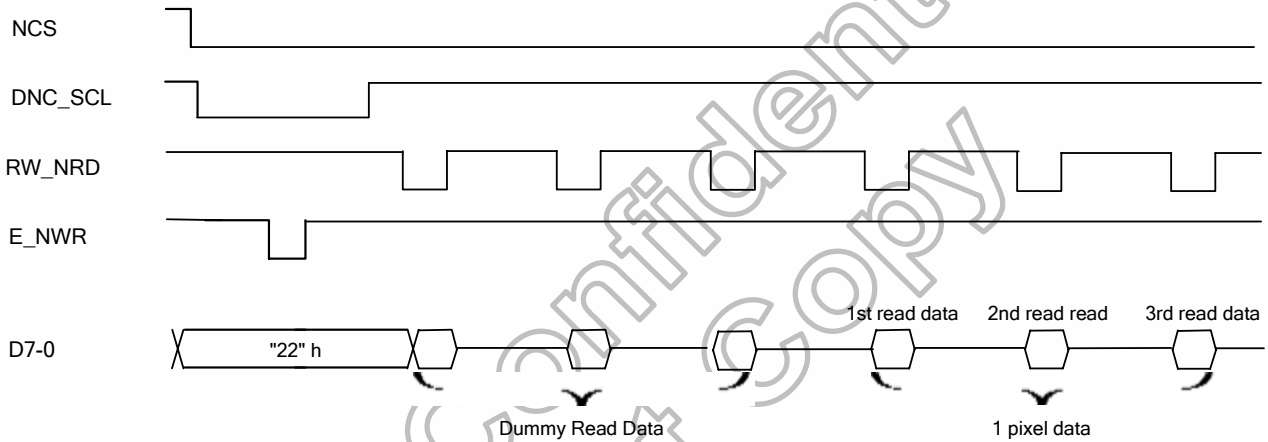
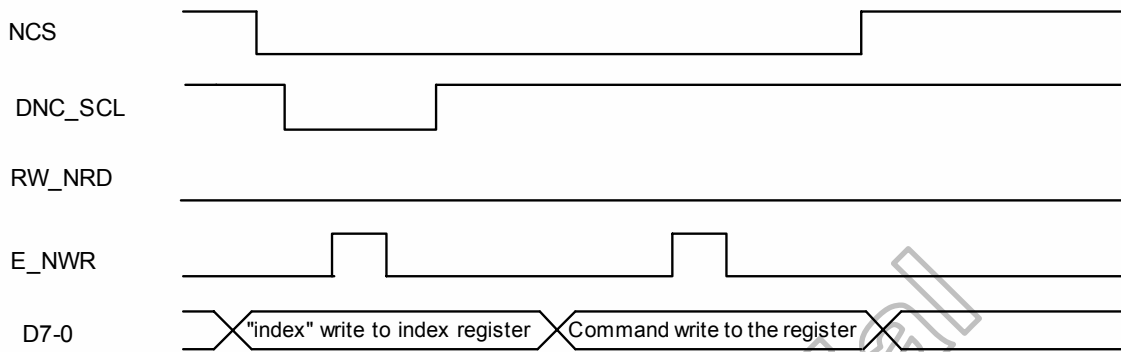


Figure 5. 3 GRAM Read/Write Timing in 8-Bit Parallel Bus System Interface (for I80 Series MPU)

Write to the register



Read the register

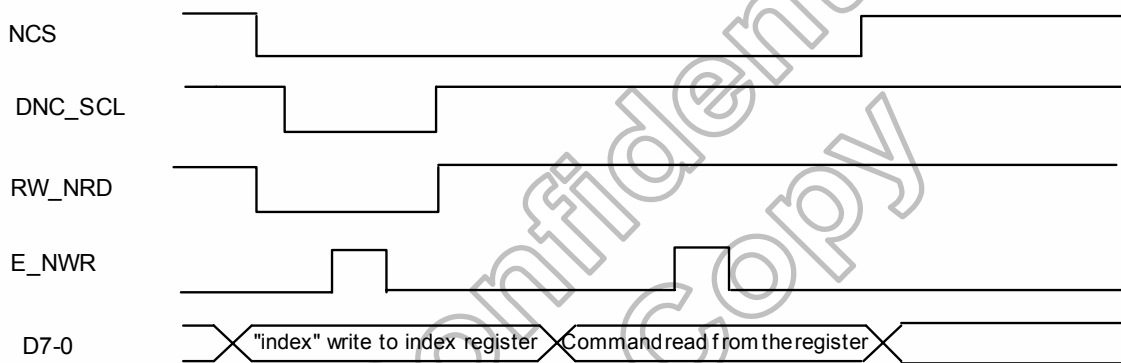
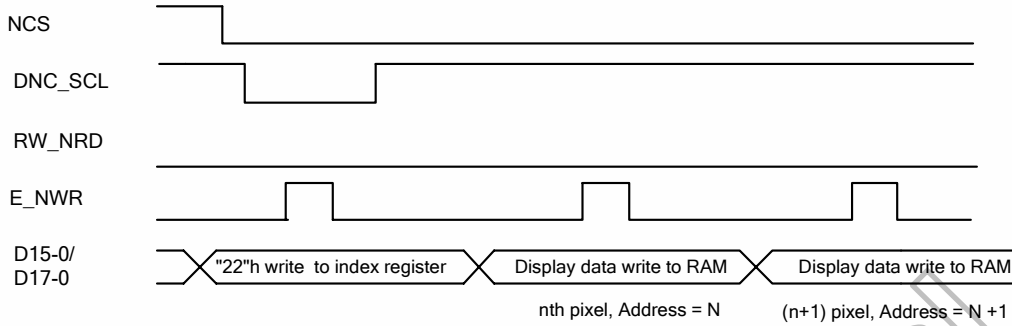


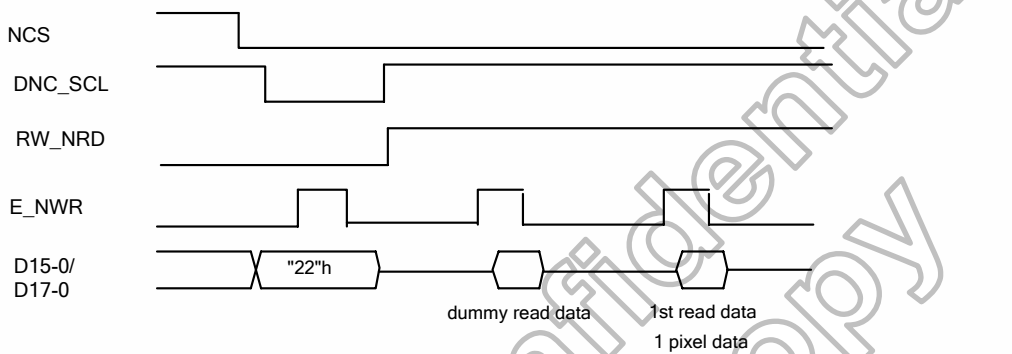
Figure 5. 4 Register Read/Write Timing in Parallel Bus System Interface (for M68 Series MPU)

Himax Confidential
Do Not Copy

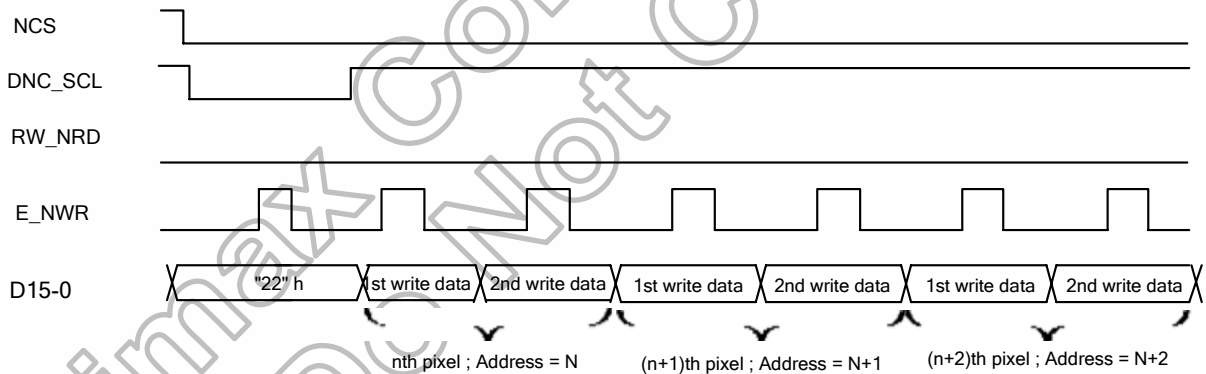
Write to the graphic RAM (16-bit 65K Color / 18-bit bit 262K Color)



Read the graphic RAM (16-bit 65K Color / 18-bit bit 262K Color)



Write to the graphic RAM (16+2-bit 262K Color)



Read the graphic RAM (16+2-bit 262K Color)

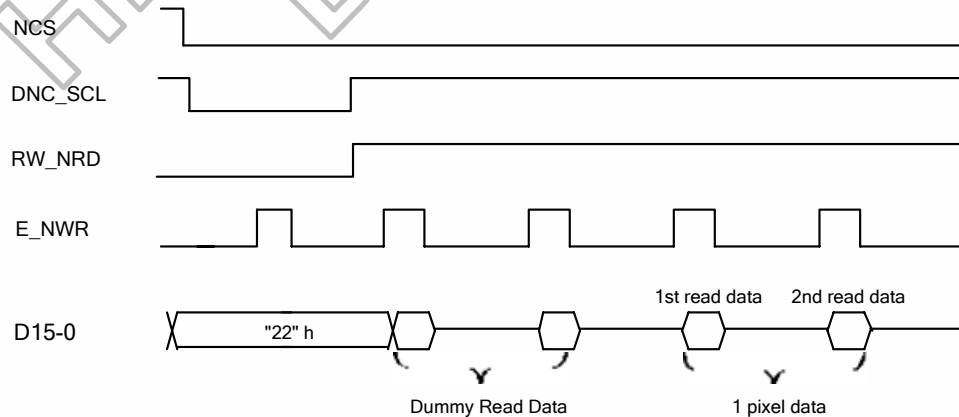
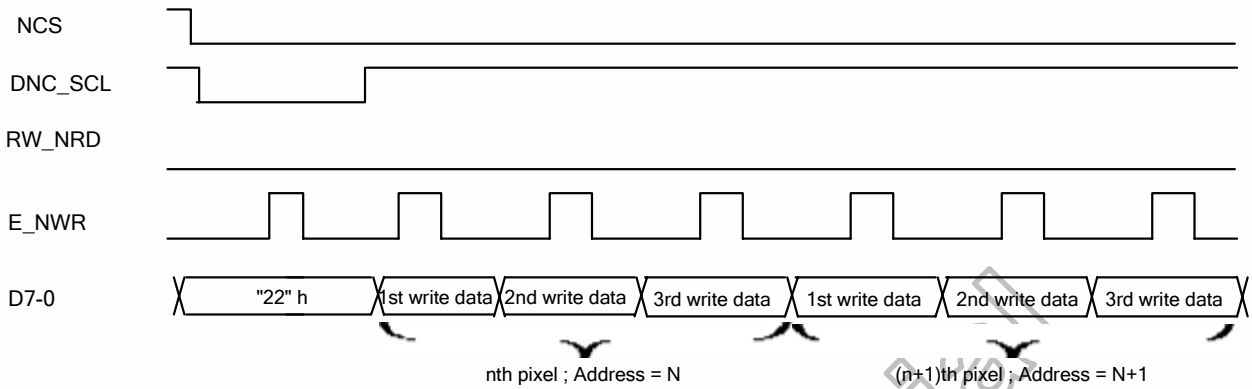


Figure 5. 5 GRAM Read/Write Timing in 16-/18-Bit Parallel Bus System Interface (for M68 Series MPU)

Write to the graphic RAM (6+6+6-bit 262K Color)



Read the graphic RAM (6+6+6-bit 262K Color)

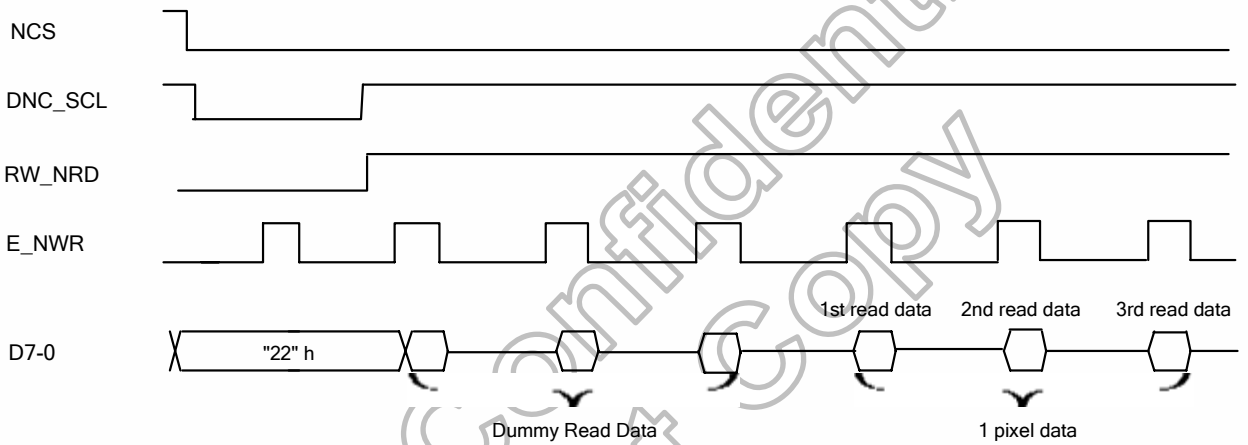


Figure 5. 6 GRAM Read/Write Timing in 8-bit Parallel Bus System Interface (for M68 Series MPU)

18-bit Parallel Bus System Interface

The I80-system 18-bit parallel bus interface in command-parameter interface mode can be used by setting external pins “P68, BS2, BS1, BS0” pins to “0010” or “0101”. And the M68-system 18-bit parallel bus interface in command-parameter interface mode can be used by setting “P68, BS2, BS1, BS0” pins to “1010” or “1101”. Figure 5.8 is the example of interface with I80/M68 microcomputer system interface.

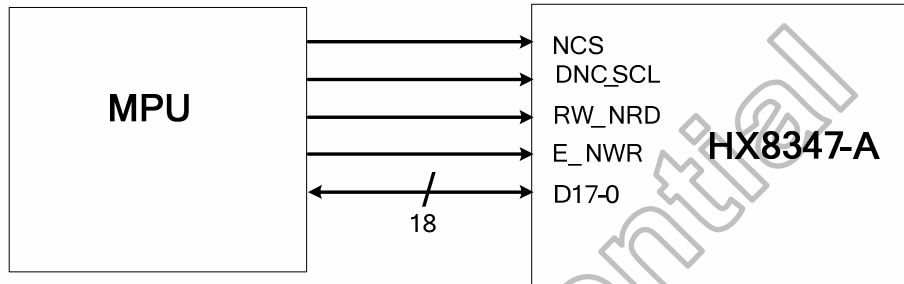


Figure 5.7 Example of I80- / M68- System 16-Bit Parallel Bus Interface

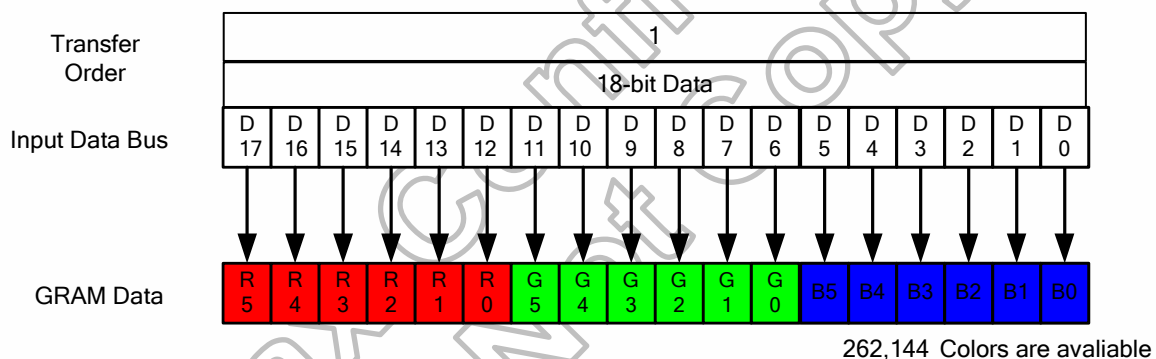


Figure 5.8 Input Data Bus and GRAM Data Mapping in 18-Bit Bus System Interface (“BS2, BS1, BS0”=“010” or “101”)

16-bit Parallel Bus System Interface

The I80-system 16-bit parallel bus interface in command-parameter interface mode can be used by setting external pins “P68, BS2, BS1, BS0” pins to “0000”, “0001”, “0100”. And the M68-system 16-bit parallel bus interface in command-parameter interface mode can be used by setting “P68, BS2, BS1, BS0” pins to “1000”, “1001”, “1100”. Figure 5.10 is the example of interface with I80/M68 microcomputer system interface.

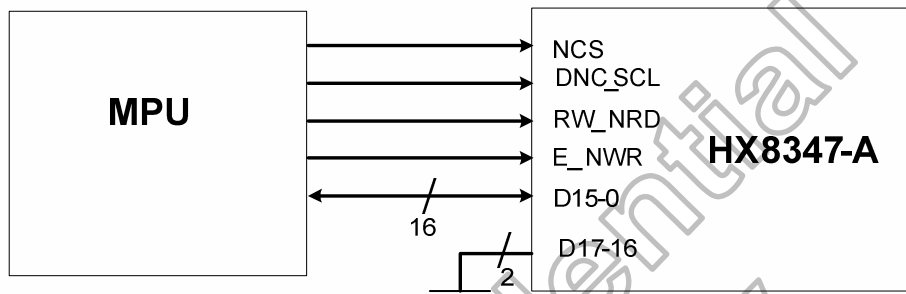


Figure 5. 9 Example of I80- / M68- System 16-bit Parallel Bus Interface

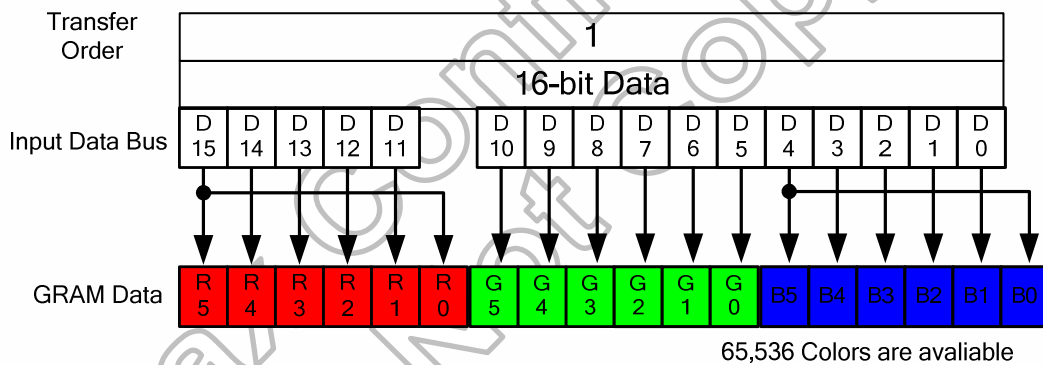


Figure 5. 10 Input Data Bus and GRAM Data Mapping in 16-Bit Bus System Interface with 16 Bit-Data Input (“BS2, BS1, BS0”=“000”)

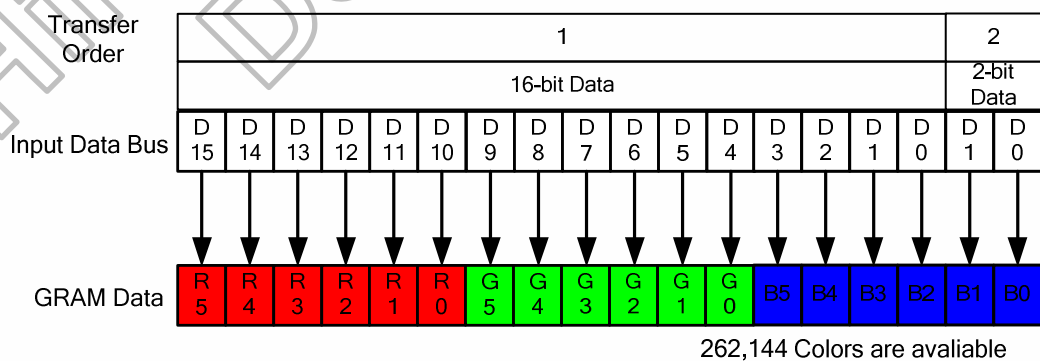


Figure 5. 11 Input Data Bus and GRAM Data Mapping in 16-Bit Bus System Interface with 18(16+2) Bit-Data Input (“BS2, BS1, BS0”=“001”)

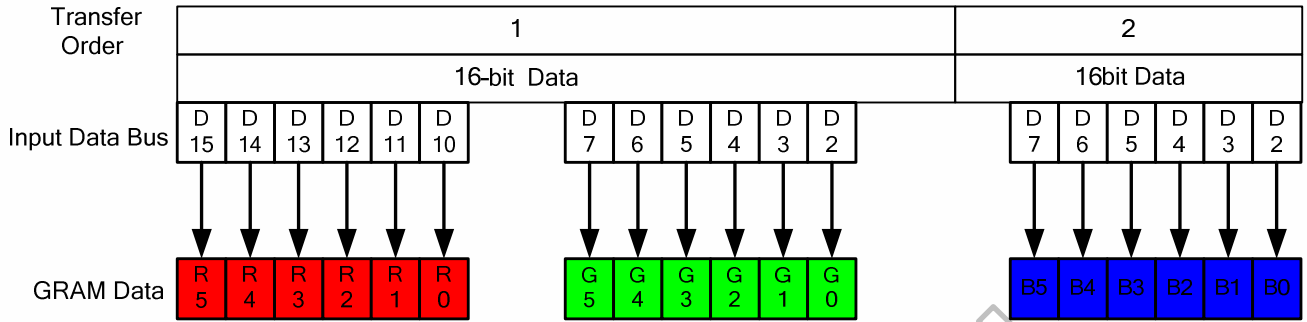


Figure 5.12 Input Data Bus and GRAM Data Mapping in 16-Bit Bus System Interface with 18(6+6+6) Bit-Data Input (“BS2, BS1, BS0”=“100”)

8-bit Parallel Bus System Interface

The I80-system 8-bit parallel bus interface in register-content interface mode can be used by setting external pins “P68, BS2, BS1, BS0” pins to “0011”. And the M68-system 8-bit parallel bus interface in command-parameter interface mode can be used by setting “P68, BS2, BS1, BS0” pins to “1011”. Figure 5.14 is the example of interface with I80/M68 microcomputer system interface.

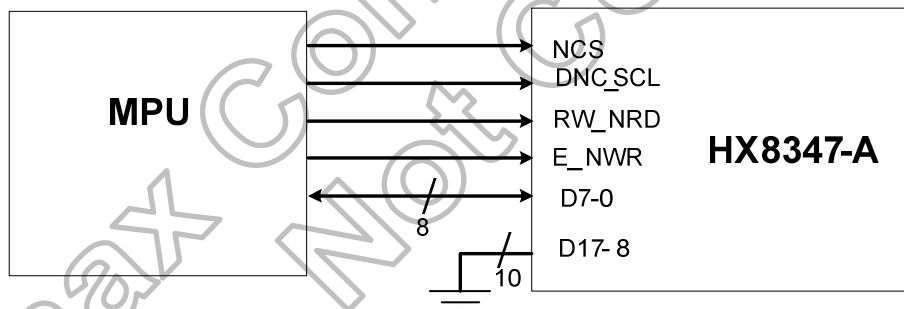


Figure 5.13 Example of I80- / M68- System 8-Bit Parallel Bus Interface

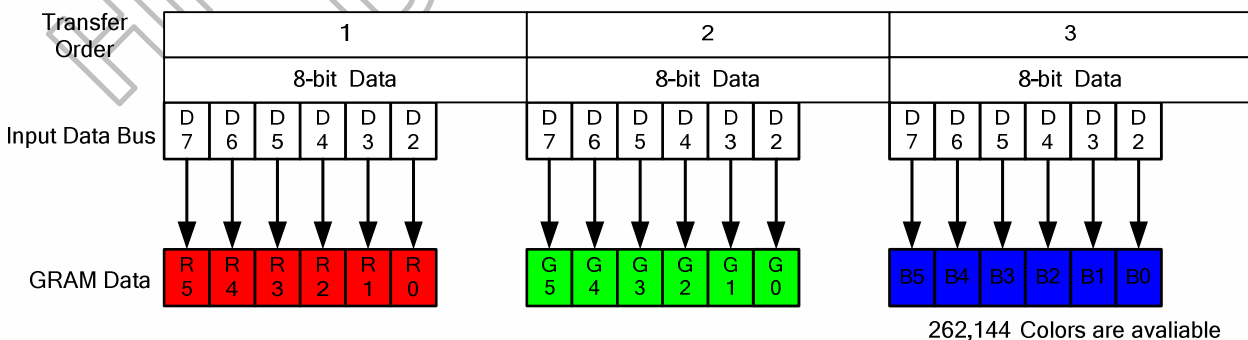


Figure 5.14 Input Data Bus and GRAM Data Mapping in 8-Bit Bus System Interface with 18(6 + 6 + 6) Bit-Data Input (“BS2, BS1, BS0”=“100”)

5.1.2 Serial Bus System Interface

The HX8347-A supports the serial bus interface in register-content mode by setting external pins “BS2, BS1” pins to “11”. The serial bus system interface mode is enabled through the chip select line (NCS), and it is accessed via a control consisting of the serial input data (SDI), serial output data (SDO) and the serial transfer clock signal (DNC_SCL).

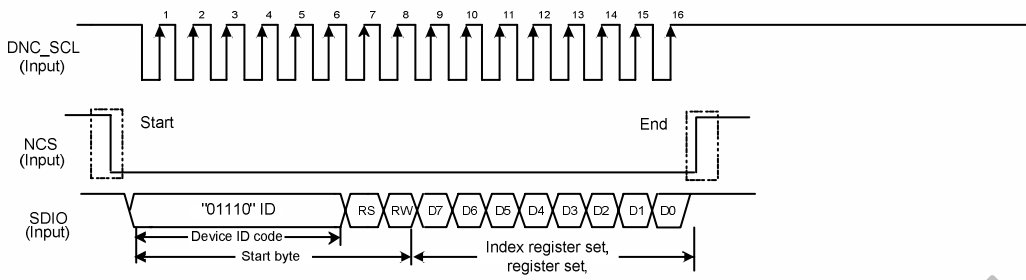
As the chip select signal (NCS) goes low, the start byte needs to be transferred first. The start byte is made up of 6-bit bus device identification code, register select (RS) bit and read/write operation (RW) bit. The five upper bits of 6-bit bus device identification code must be set to “01110”, and the least significant bit of the identification code must be set as the external pin BS0 input as “ID”.

The seventh bit (RS) of the start byte determines internal index register or register, GRAM accessing. RS must be set to “0” when writing data to the index register or reading the status, and it must be set to “1” when writing or reading an command or GRAM data. The read or write operation is selected by the eighth bit (RW) of the start byte. The data is written to the chip when R/W = 0, and read from chip when RW = 1.

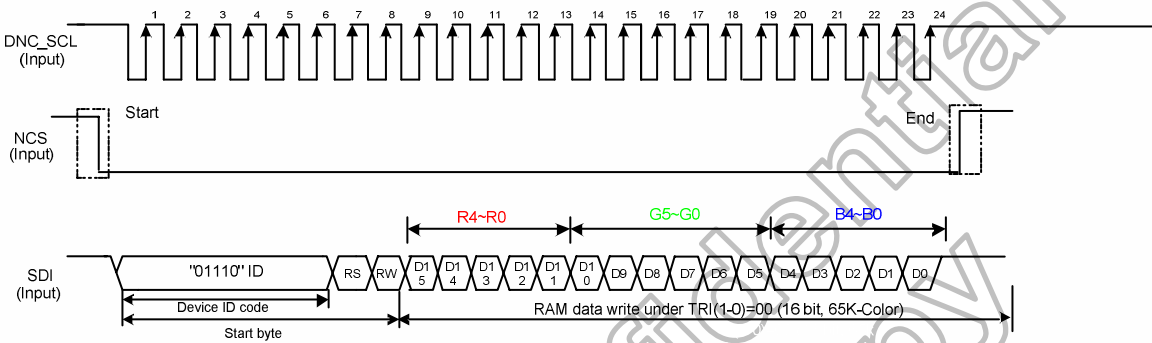
RS	R/W	Function
0	0	Writes Indexes into IR
0	1	Reads internal status and GRAM
1	1	Writes command into register or data into GRAM

Table 5. 6 The Function of RS and R/W Bit bus

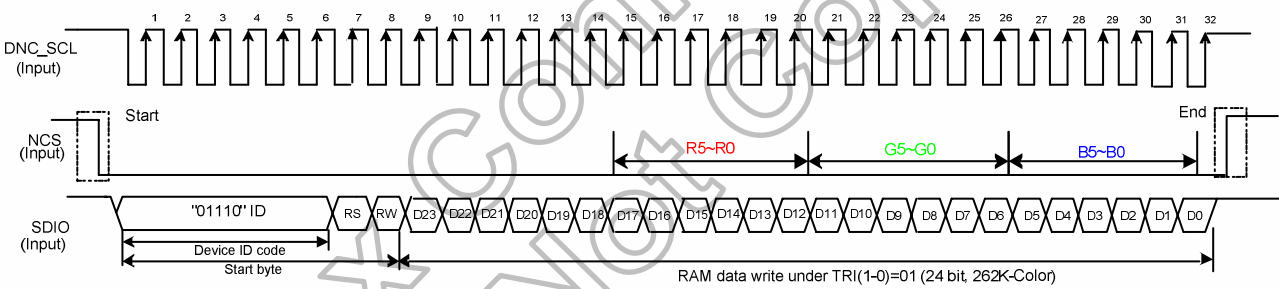
A) TransferTiming Format in Serial Bus Interface for Index Register or Register Write



B) TransferTiming Format in Serial Bus Interface for GRAM write(index = "22h"), TRI(1-0) = 00



C) TransferTiming Format in Serial Bus Interface for GRAM Write (index = "22'h), TRI(1-0) = 01



D) TransferTiming Format in Serial Bus Interface for GRAM Write (index = "22'h), TRI(1-0) = 1x

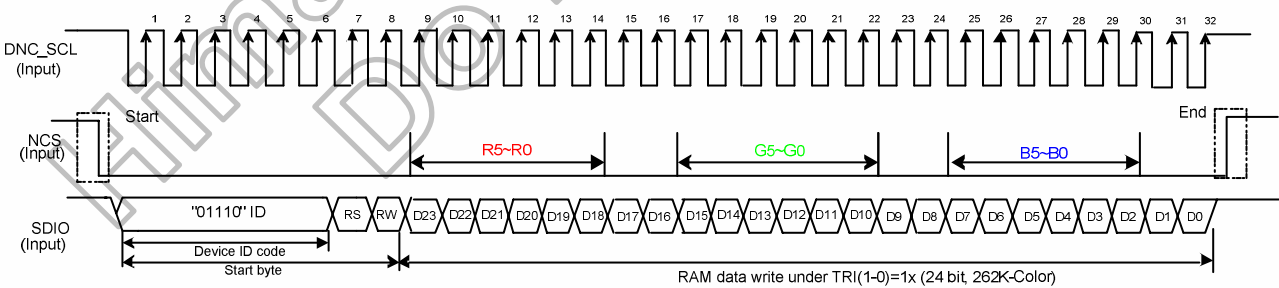
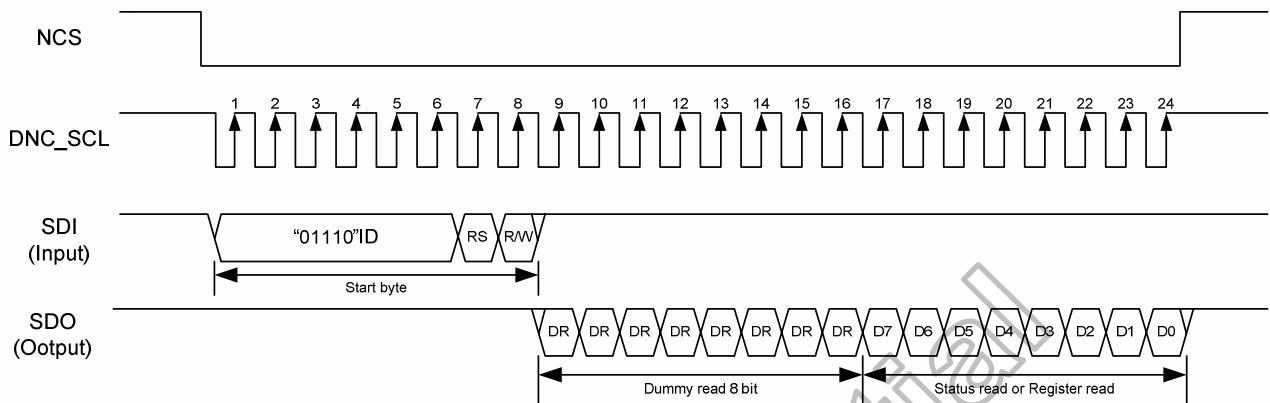
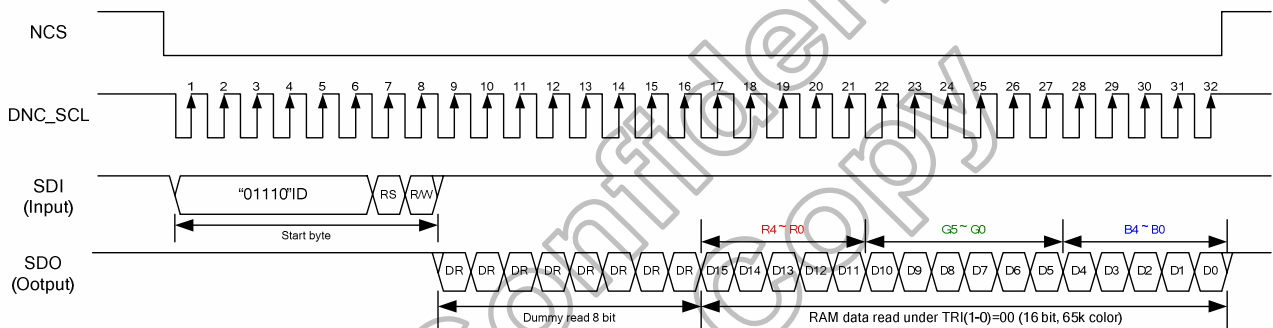


Figure 5. 15 Data Write Timing in Serial Bus System Interface

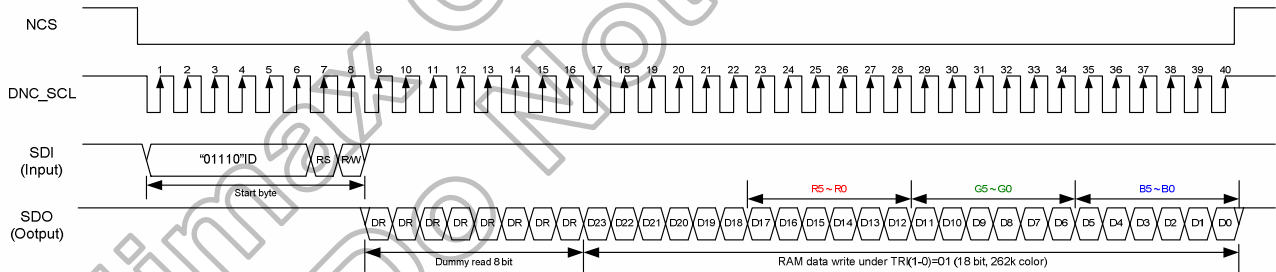
A) TransferTiming Format in Serial Bus Interface for Internal Status or Register Read



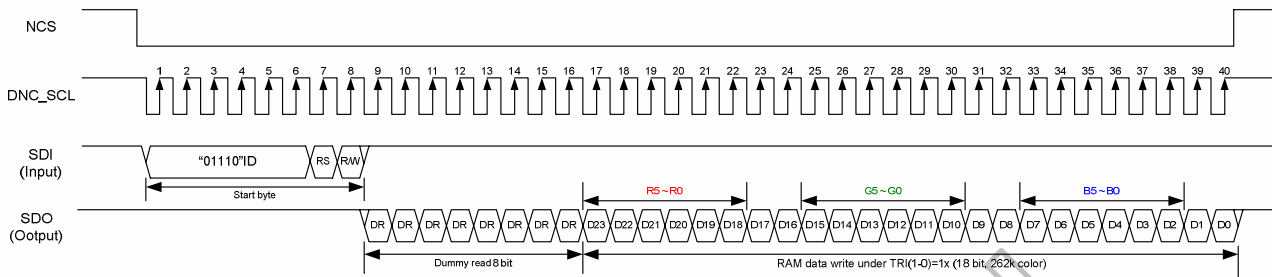
B) TransferTiming Format in Serial Bus Interface for GRAM Read (index = "22'h), TRI(1-0) = 00



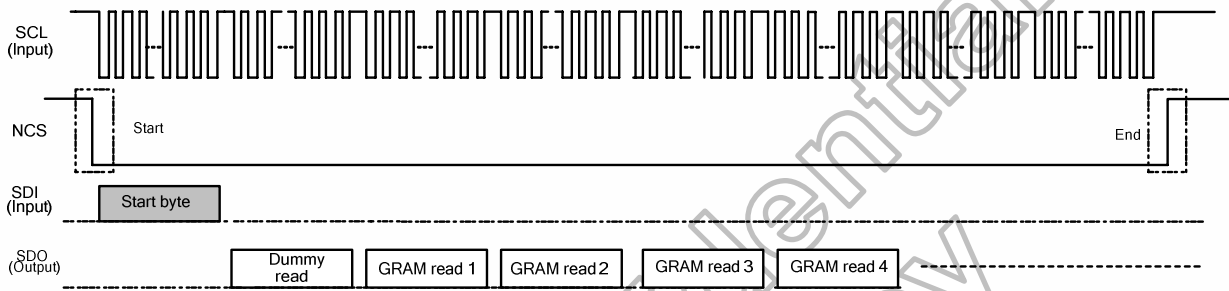
C) TransferTiming Format in Serial Bus Interface for GRAM Read (index = "22'h), TRI(1-0) = 01



D) Transfer Timing Format in Serial Bus Interface for GRAM Read (index = "22" h), TRI(1-0) = 1x



E) Timing Format of GRAM -Data Read



Note: A RAM data read operation follows 8bit dummy read operations

Figure 5. 16 Data Read Timing in Serial Bus System Interface

5.1.3 RGB Interface

The HX8347-A supports the RGB interface for writing animated display data. The RGB interface can be selected by setting internal RGB_EN bit = 1. In RGB interface, the display operations is executed in synchronization with the frame synchronizing signal (VSYNC), line synchronizing signal (HSYNC) and dot clock (DOTCLK), and the display data is inputted via RGB interface circuit without being written to the GRAM and display directly. The display data are transferred in pixel unit via D17-0 input pins. The display data input is latched on the rising edge of DOTCLK (DPL bit = 0) or the falling edge of DOTCLK (DPL bit = 1) by the chip when ENABLE signal is valid. Please refer to Table 5.12.

EPL	ENABLE	Display Data to Panel
0	0	Enable
0	1	Disable
1	0	Disable
1	1	Enable

Table 5. 7 EPL Bit Setting and Valid Enable Signal

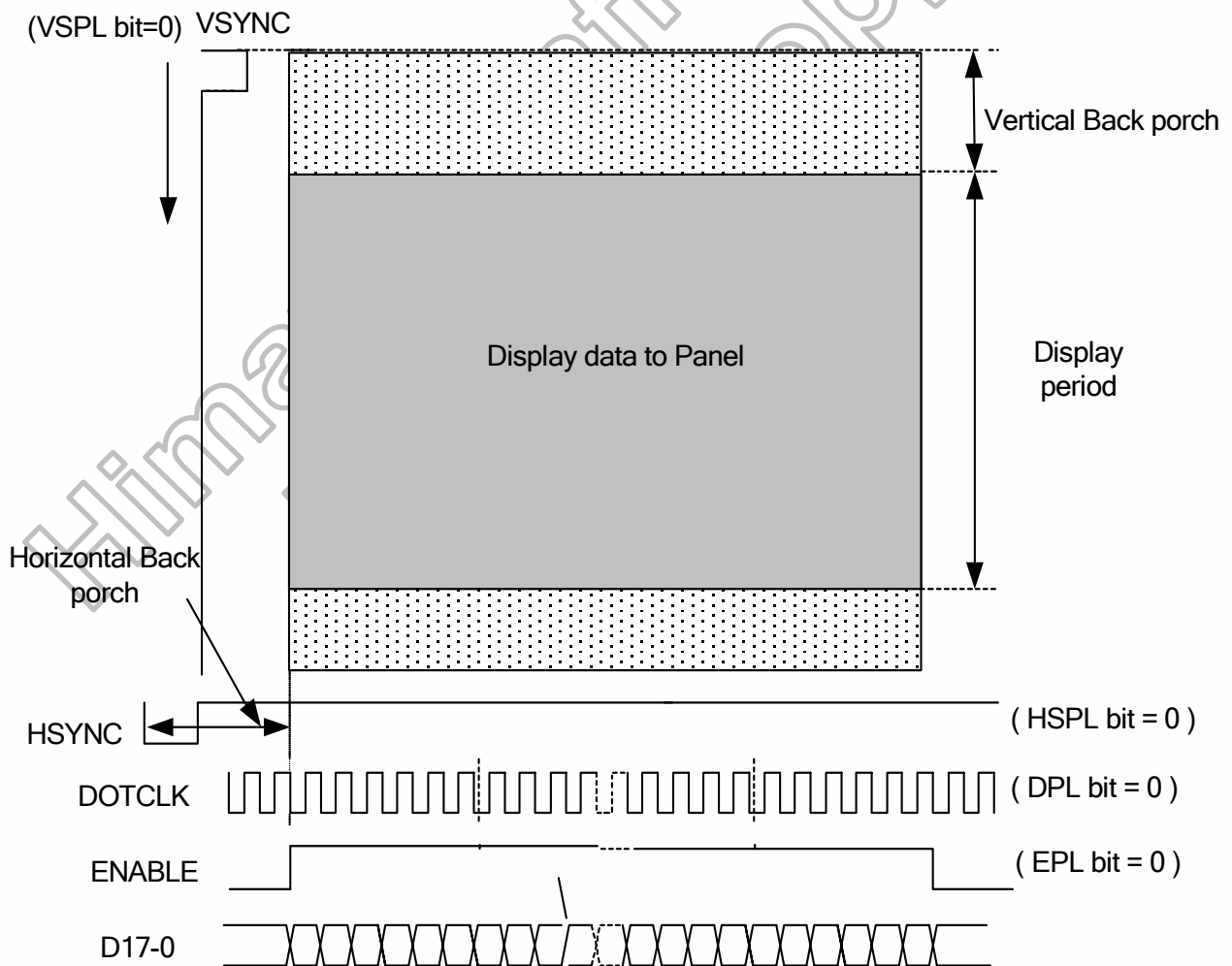


Figure 5. 17 RGB Interface Circuit Input Timing

There are two types bit format per pixel color order for writing GRAM data in 18-bit bus interface selected by internal bits CSEL(2-0). The setting is shown in Figure 5. 19 and Figure 5. 20.

(1) 16 bit/pixel color order (R 5-bit, G 6-bit, B 5-bit), 65,536 colors (CSEL(2-0) = "101")

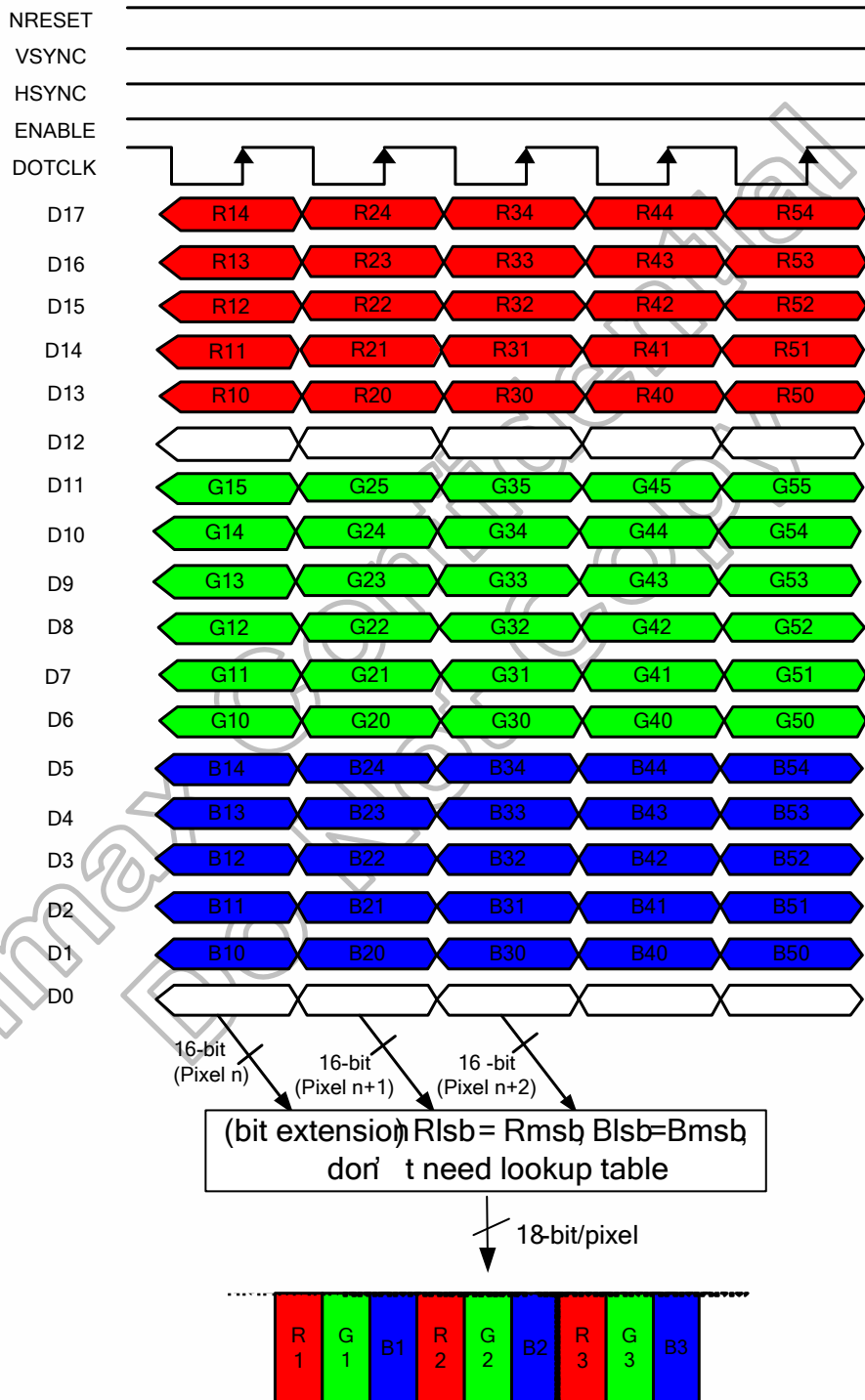


Figure 5. 18 16-Bit / Pixel Data Input of RGB Interface

(2) 18 bit/pixel color order (R 6-bit, G 6-bit, B 6-bit), 262,144 colors (CSEL(2-0) = "110")

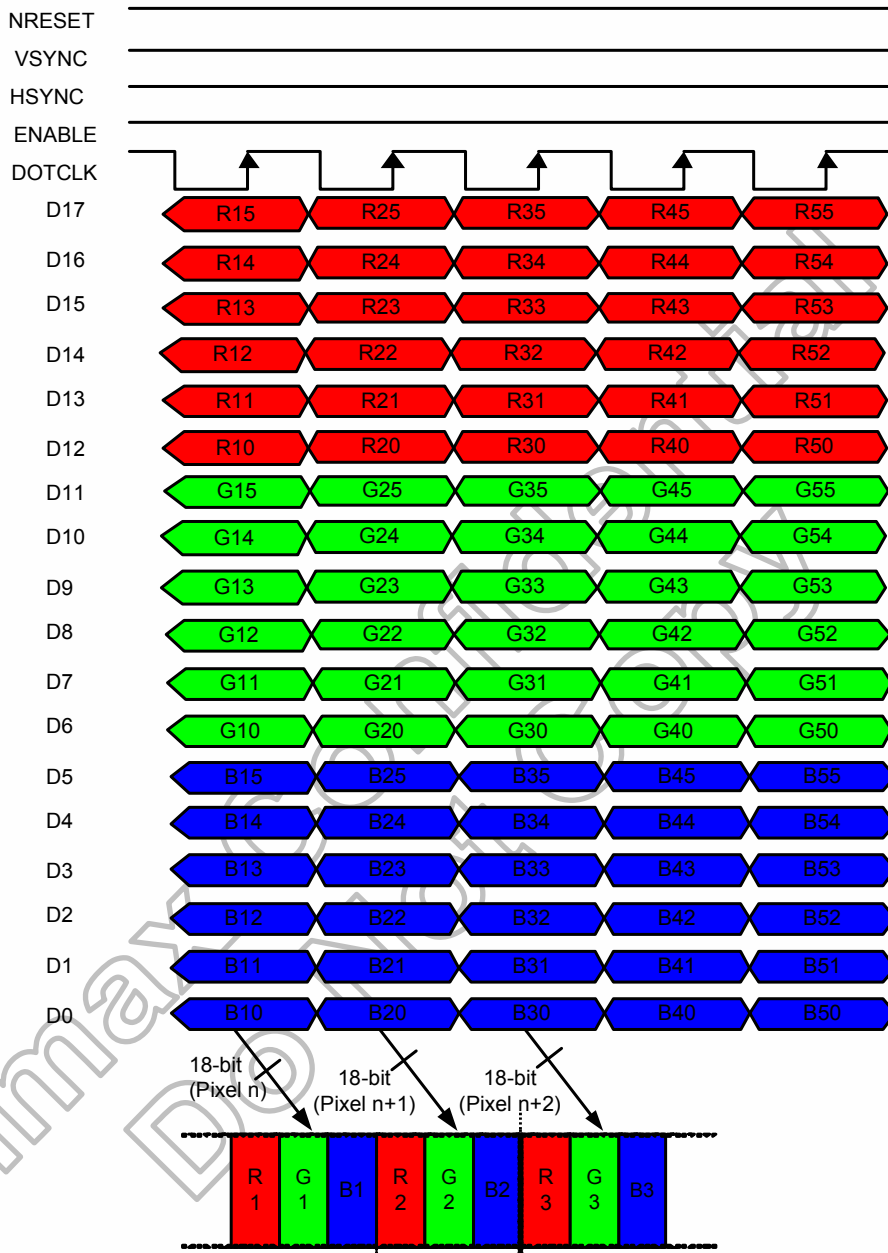


Figure 5. 19 18-Bit / Pixel Data Input of RGB Interface

5.2 Address Counter (AC)

The HX8347-A contains an address counter (AC) which assigns address for writing/reading pixel data to/from GRAM. The address pointers set the position of GRAM whose addresses range X=0~239d and Y=0~319d.

Every time when a pixel data is written into the GRAM, the X address or Y address of AC will be automatically increased by 1 (or decreased by 1), which is decided by the register (MV, MX and MY bit) setting.

To simplify the address control of GRAM access, the window address function allows for writing data only to a window area of GRAM specified by registers. After data is written to the GRAM, the AC will be increased or decreased within setting window address-range which is specified by the horizontal address register (start: SC, end: EC) or the vertical address register (start: SP, end: EP). Therefore, the data can be written consecutively without thinking a data wrap by those bit function.

Himax Confidential
Do Not Copy

5.2.1 MCU to Memory Write/Read Direction

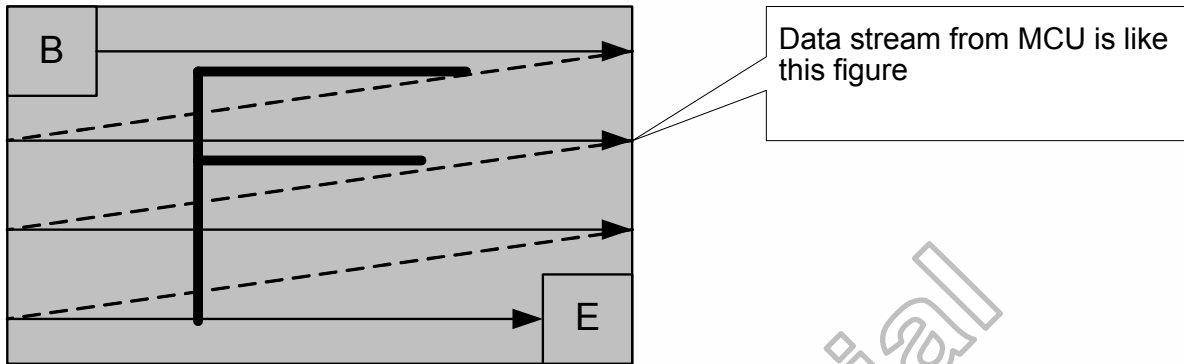


Figure 5. 20 MCU to Memory Write/Read Direction

The data is written in the order as illustrated above. The counter that dictates which physical memory the data is to be written is controlled by “Memory Access Control” Command, Bits MY, MX, MV as described below.

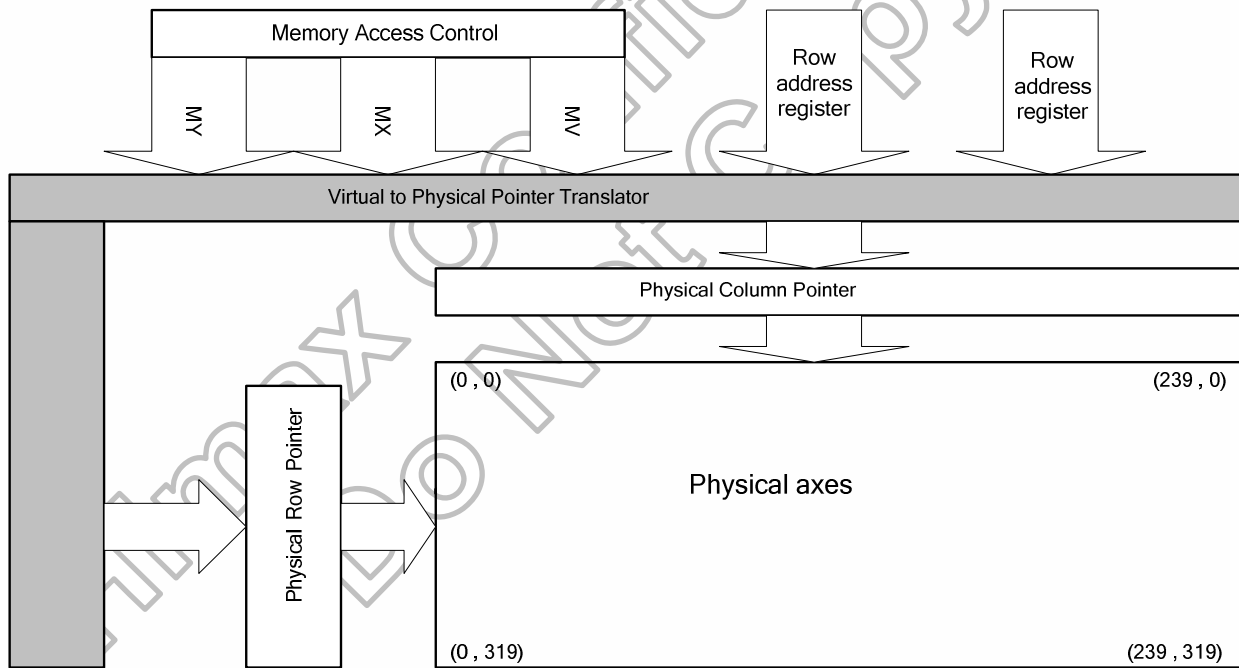


Figure 5. 21 MY, MX, MV Setting

MY	MX	MV	CASET	PASET
0	0	0	Direct to Physical Column Pointer	Direct to Physical Page Pointer
0	0	1	Direct to Physical Column Pointer	Direct to (319-Physical Page Pointer)
0	1	0	Direct to (239-Physical Column Pointer)	Direct to Physical Page Pointer
0	1	1	Direct to (239-Physical Column Pointer)	Direct to (319-Physical Page Pointer)
1	0	0	Direct to Physical Page Pointer	Direct to Physical Column Pointer
1	0	1	Direct to (319-Physical Page Pointer)	Direct to Physical Column Pointer
1	1	0	Direct to Physical Page Pointer	Direct to (239-Physical Column Pointer)
1	1	1	Direct to (319-Physical Page Pointer)	Direct to (239-Physical Column Pointer)

Table 5. 8 MY, MX, MV Setting

The following figure depicts the update method set by MV, MX and MY bit.

Display Data Direction	MADCTR parameter			Image in the Host	Image in the Driver (GRAM)
	MV	MX	MY		
Normal	0	0	0		
Y-Mirror	0	0	1		
X-Mirror	0	1	0		
X-Mirror Y-Mirror	0	1	1		
X-Y Exchange	1	0	0		
X-Y Exchange Y-Mirror	1	0	1		
X-Y Exchange X-Mirror	1	1	0		
X-Y Exchange X-Mirror Y-Mirror	1	1	1		

Figure 5. 22 Address Direction Settings

5.3 Source, Gate and Memory Map

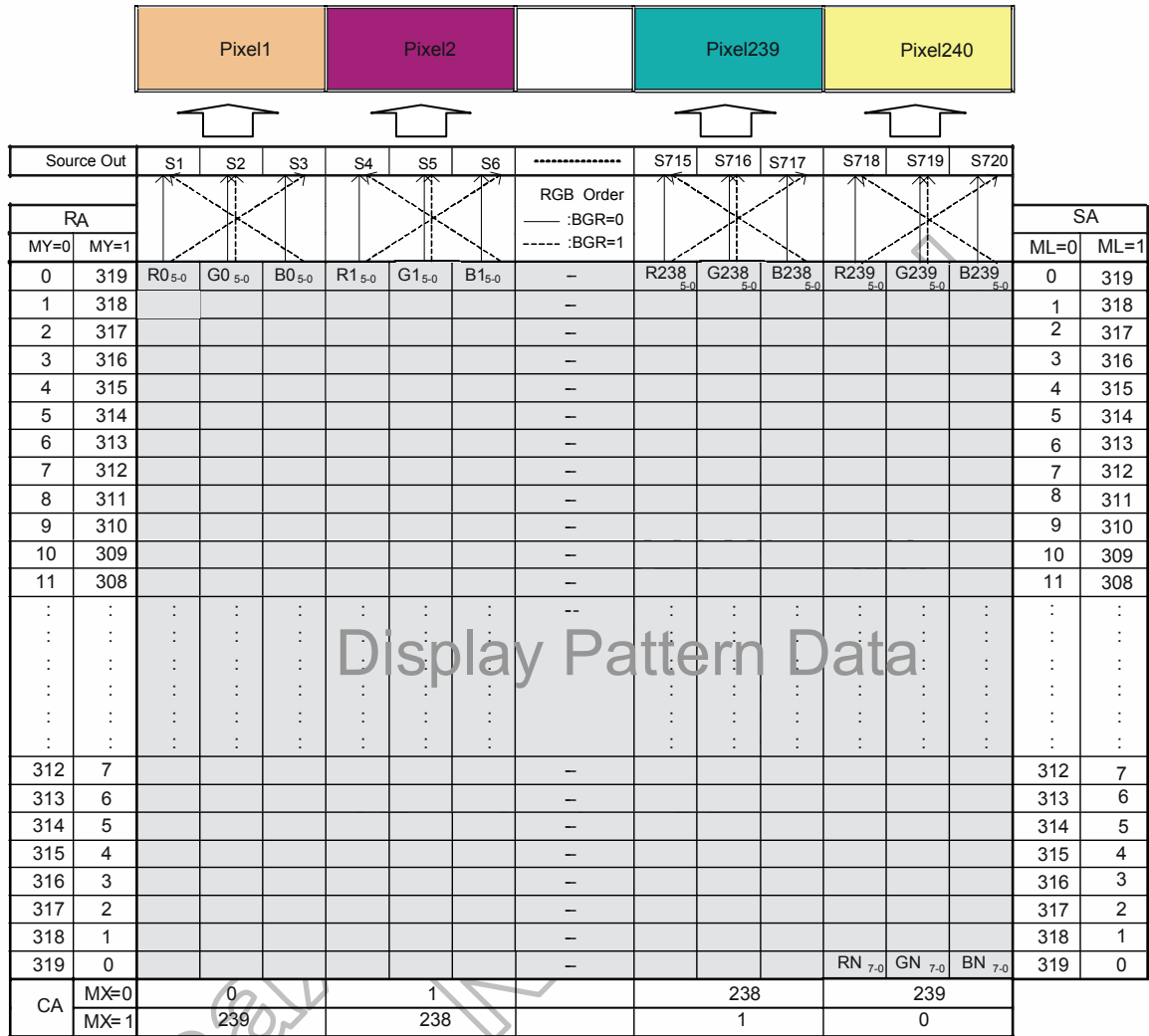


Figure 5. 23 Memory Map (240RGBx320)

NOTE: RA = Row Address,
 CA = Column Address,
 SA = Scan Address,
 MX = Mirror X-axis (Column address direction parameter), D6 parameter of Memory Access Control command
 MY = Mirror Y-axis (Row address direction parameter), D7 parameter of Memory Access Control command
 ML = Scan direction parameter, D4 parameter of Memory Access Control command
 RGB= Red, Green and Blue pixel position change, D3 parameter of Memory Access Control command

5.4 Tearing Effect Output Line

The Tearing Effect output line supplies to the MPU a Panel synchronization signal. This signal can be enabled or disabled by the Tearing Effect Line Off & On commands. The mode of the Tearing Effect signal is defined by the parameter of the Tearing Effect Line On command. The signal can be used by the MPU to synchronize Frame Memory Writing when displaying video images.

Tearing effect function is not support when set DIM not equal "00".

5.4.1 Tearing Effect Line Modes

Mode 1, the Tearing Effect Output signal consists of V-Blanking Information only:

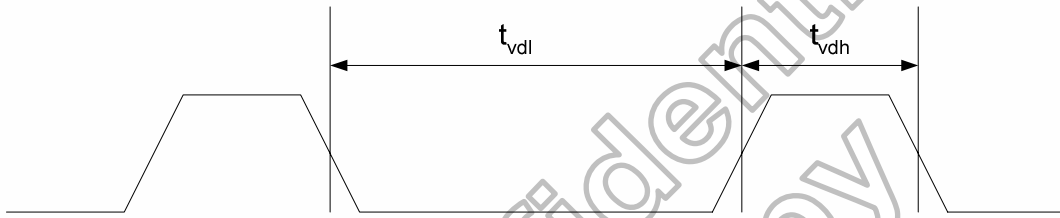


Figure 5.24 TE mode 1 output

t_{VREG1} = The LCD display is not updated from the Frame Memory
 t_{vdl} = The LCD display is updated from the Frame Memory (except Invisible Line – see below)

Mode 2, the Tearing Effect Output signal consists of V-Blanking and H-Blanking Information, there is one V-sync and 320 H-sync pulses per field.

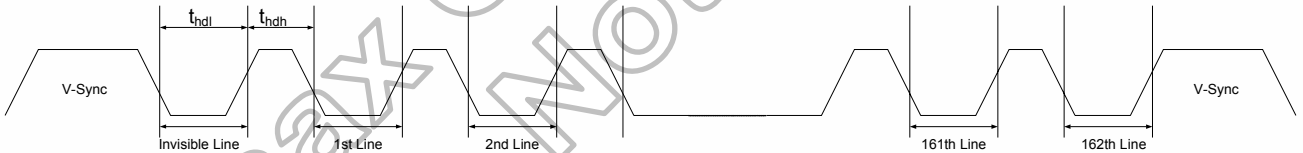


Figure 5.25 TE mode 2 output

t_{hdh} = The LCD display is not updated from the Frame Memory
 t_{hdl} = The LCD display is updated from the Frame Memory (except Invisible Line – see above)

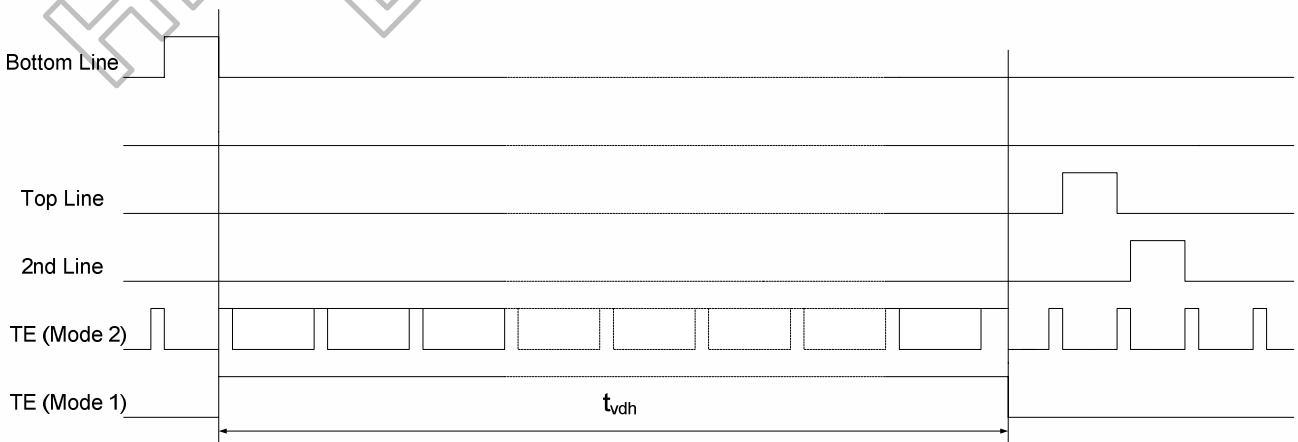


Figure 5.26 TE output waveform

Note: During Sleep In Mode, the Tearing Output Pin is active Low

5.4.2 Tearing Effect Line Timing

The Tearing Effect signal is described below.

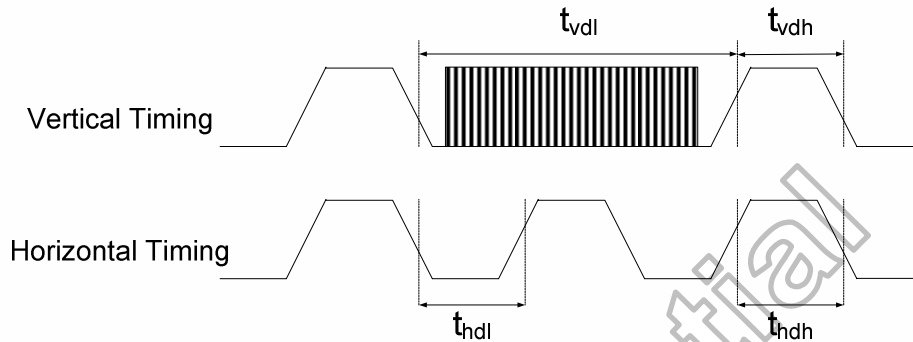


Figure 5. 27 Waveform of Tearing Effect Signal

Idle Mode Off (Frame Rate = TBD Hz)

Symbol	Parameter	Min.	Max.	Unit	Description
t _{vdl}	Vertical Timing Low Duration	TBD	-	ms	-
t _{vdh}	Vertical Timing High Duration	BP+FP	-	us	-
t _{hdl}	Horizontal Timing Low Duration	TBD	-	us	-
t _{hdh}	Horizontal Timing High Duration	TBD	500	us	-

Table 5. 9 AC characteristics of Tearing Effect Signal

Note: The timings in Table 5.14 apply when Memory Access Control ML=0 and ML=1

The signal's rise and fall times (t_f, t_r) are stipulated to be equal to or less than 15ns.

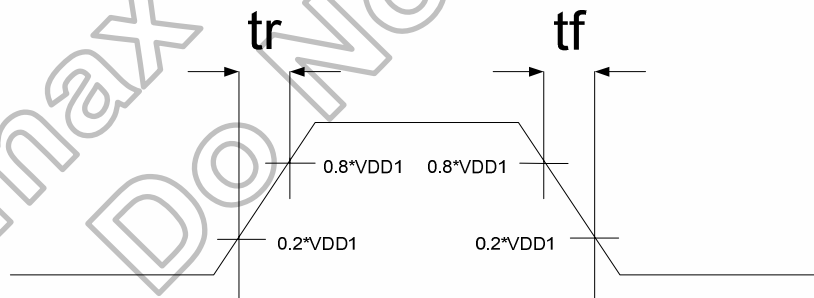


Figure 5. 28 Timing of Tearing Effect Signal

The Tearing Effect Output Line is fed back to the MPU and should be used as shown below to avoid Tearing Effect:

5.4.3 Example 1: MPU Write is faster than Panel Read

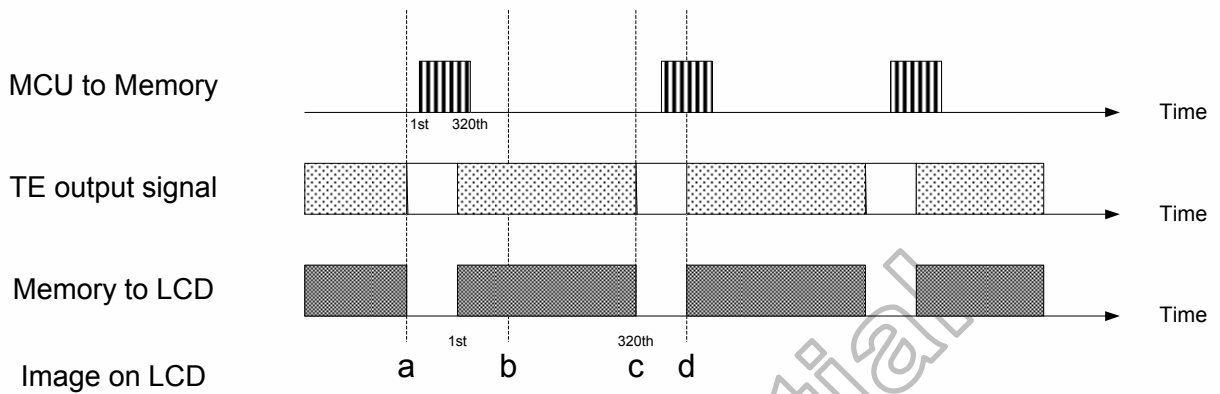


Figure 5. 29

Data write to Frame Memory is now synchronized to the Panel Scan. It should be written during the vertical sync pulse of the Tearing Effect Output Line. This ensures that data is always written ahead of the panel scan and each Panel Frame refresh has a complete new image:

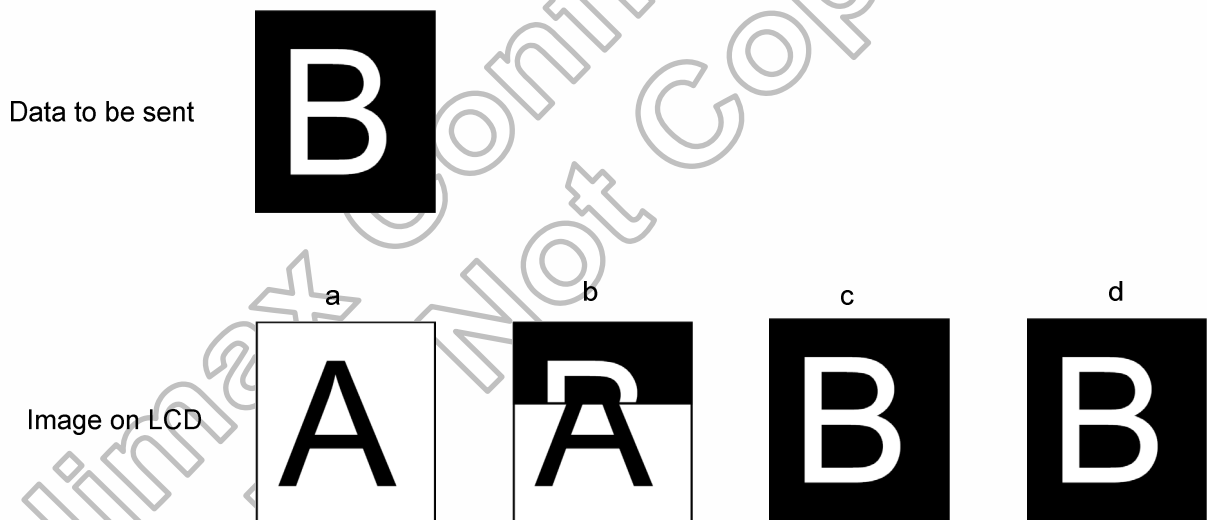


Figure 5. 30

5.4.4 Example 2: MPU Write is slower than Panel Read

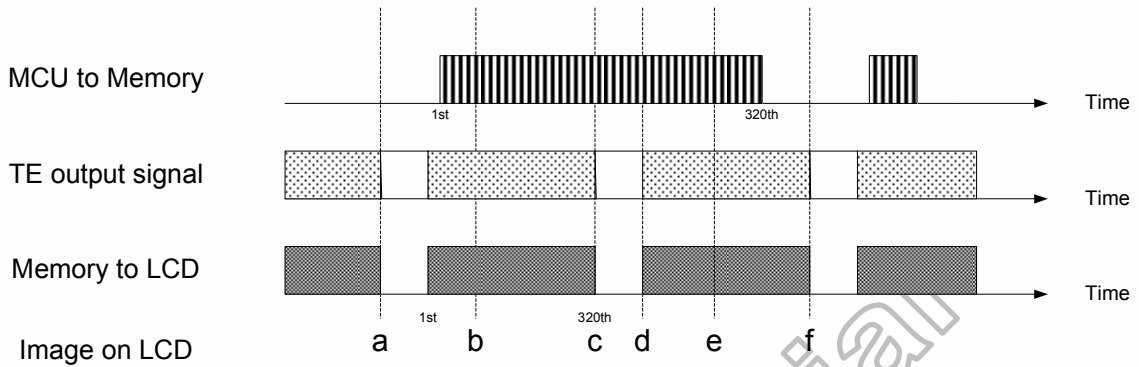


Figure 5. 31

The MPU to Frame Memory write begins just after Panel Read has commenced i.e. after one horizontal sync pulse of the Tearing Effect Output Line. This allows time for the image to download behind the Panel Read pointer and finishing download during the subsequent Frame before the Read Pointer “catches” the MPU to Frame memory write position.

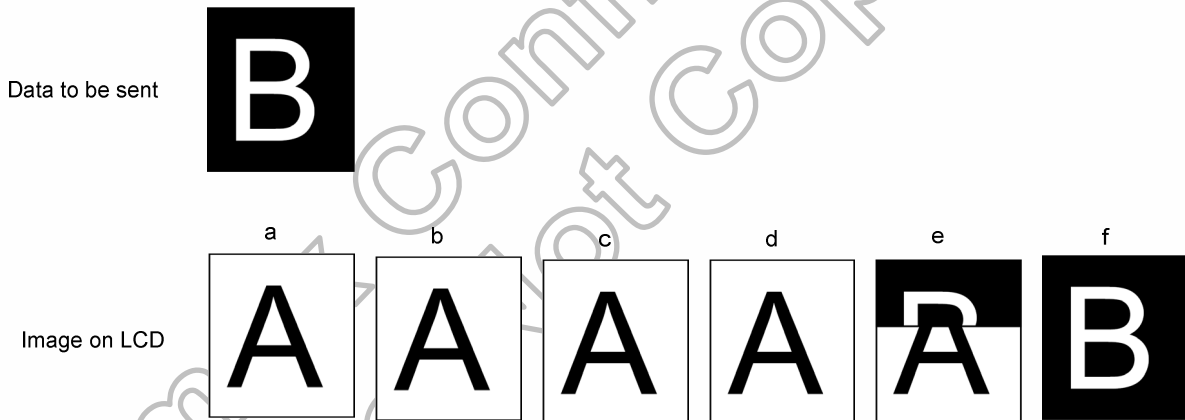


Figure 5. 32

5.5 Oscillator

The HX8347-A has an internal oscillator without extra external components that provide a source for system clock generator. The default frequency is 5.5Mhz.

5.6 Source Driver

The HX8347-A contains a 720 channels of source driver (S1~S720) which is used for driving the source line of TFT LCD panel. The source driver converts the digital data from GRAM into the analog voltage for 720 channels and generates corresponding gray scale voltage output, which can realize a 262K colors display simultaneously. Since the output circuit of this source driver incorporates an operational amplifier, a positive and a negative voltage can be alternately outputted from each channel.

5.7 Gate Driver

The HX8347-A contains a 320 gate channels of gate driver (G1~G320) which is used for driving the gate. The gate driver level is VGH when scan some line, VGL the other lines.

Himax Confidential
Do Not Copy

5.8 LCD Power Generation Circuit

5.8.1 LCD Power Generation Scheme

The boost voltage generated is shown as below.

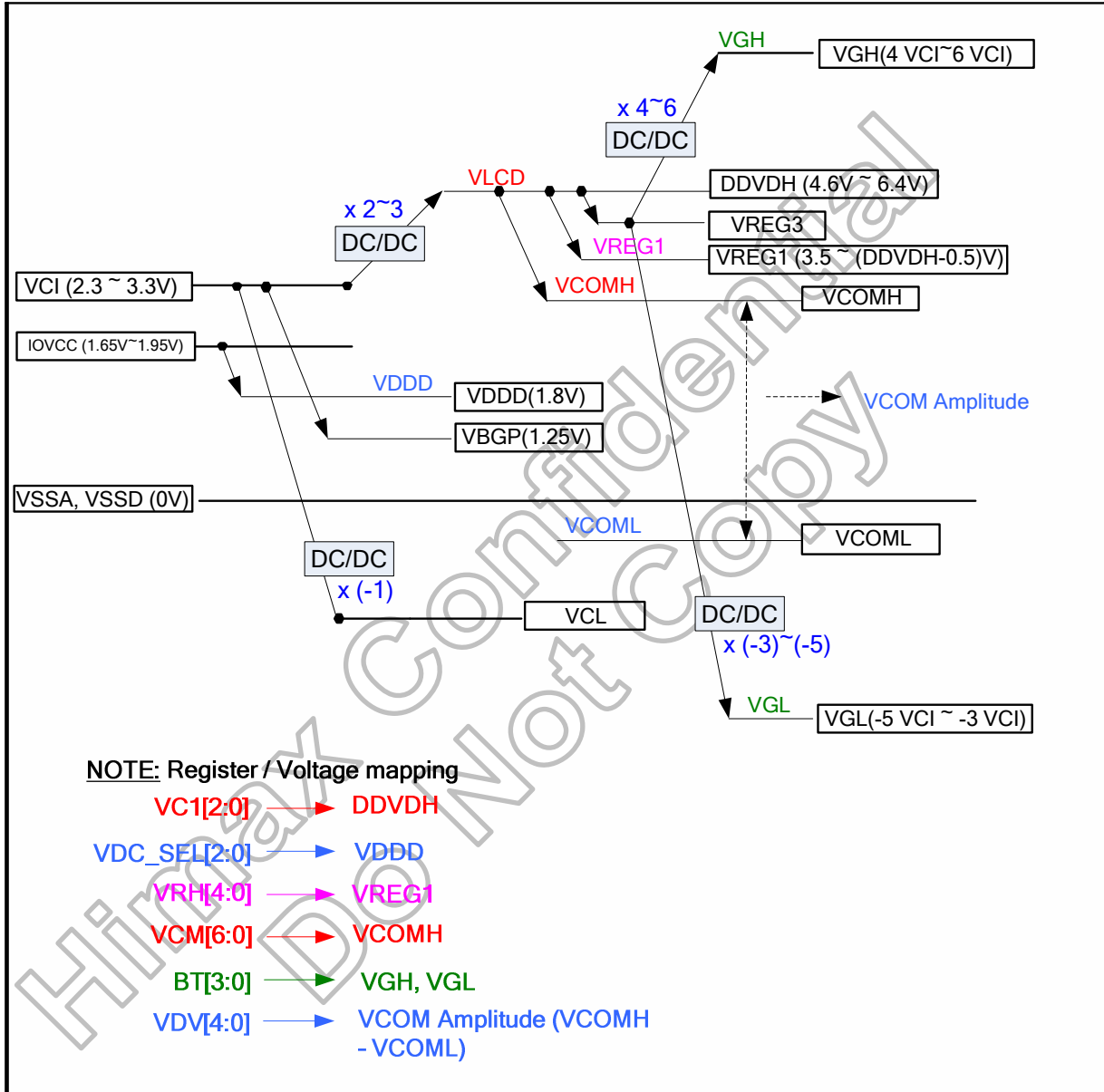


Figure 5.33 LCD Power Generation Scheme

5.8.2 Various Boosting Steps

The boost steps of each boosting voltage are selected according to how the external capacitors are connected. Different booster applications are shown as below.

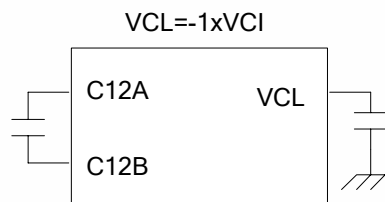
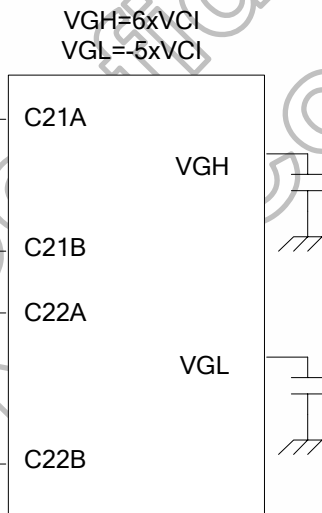
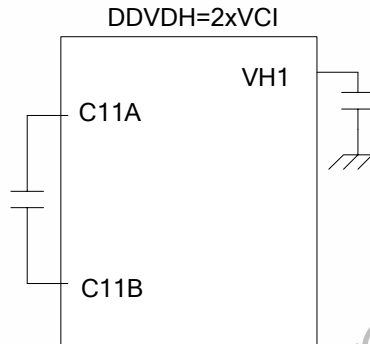


Figure 5. 34 Various Boosting Steps

5.9 Gray Voltage Generator for Source Driver

The HX8347-A incorporates gamma adjustment function for the 262,144-color display (64 grayscale for each R, G, B color). Gamma adjustment operation is implemented by deciding the 8 grayscale levels firstly in gamma adjustment control registers to match the LCD panel. These registers are available for both polarities.

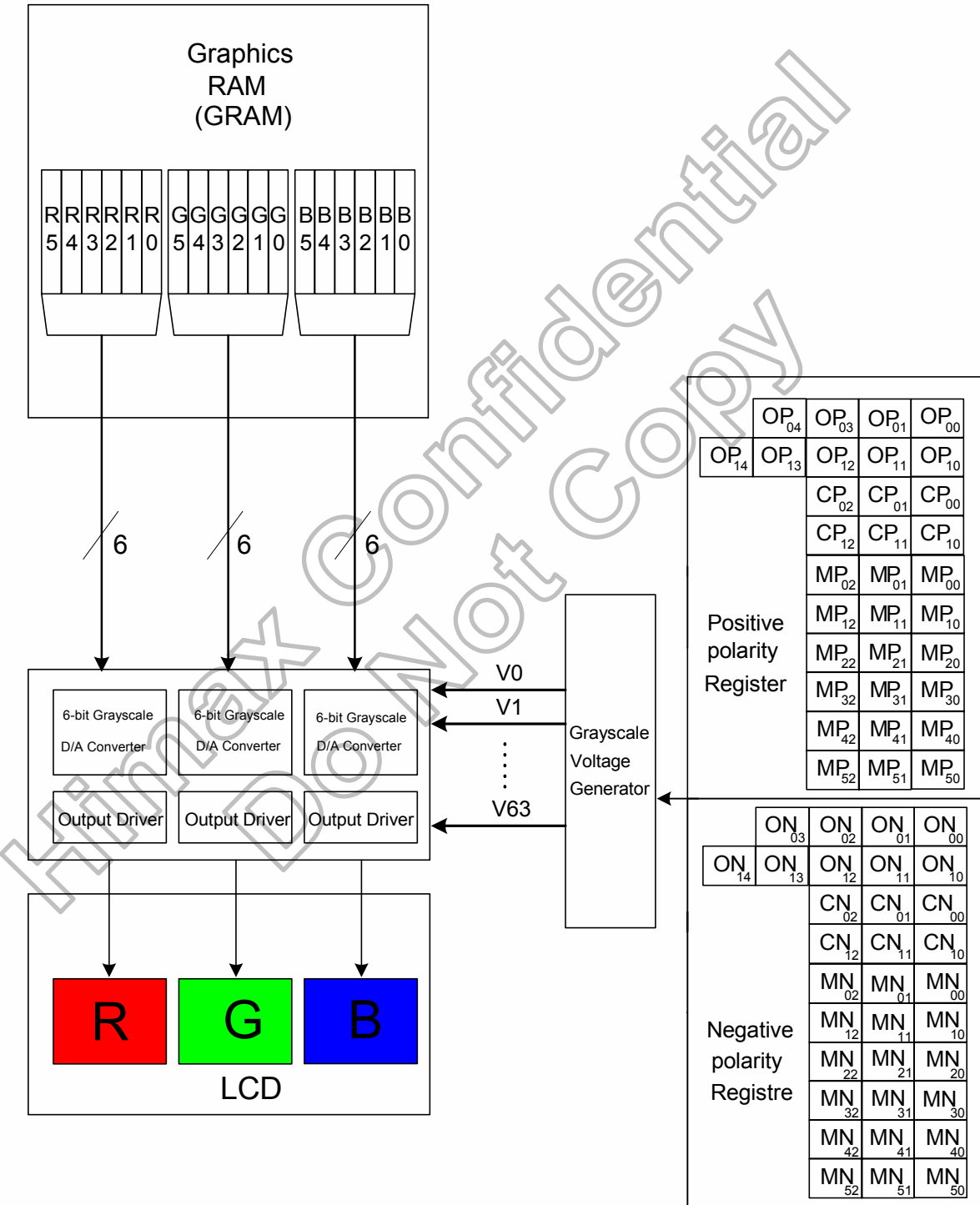


Figure 5. 35 Grayscale Control

5.9.1 Structure of Grayscale Voltage Generator

Eight reference gamma voltages $V_{gP/N}(0, 1, 8, 20, 43, 55, 62, 63)$ for positive and negative polarity are specified by the center adjustment, the micro adjustment and the offset adjustment registers firstly. With those eight voltage injected into specified node of grayscale voltage generator, totally 64 grayscale voltages (V_0 - V_{63}) can be generated from grayscale amplifier for LCD panel.

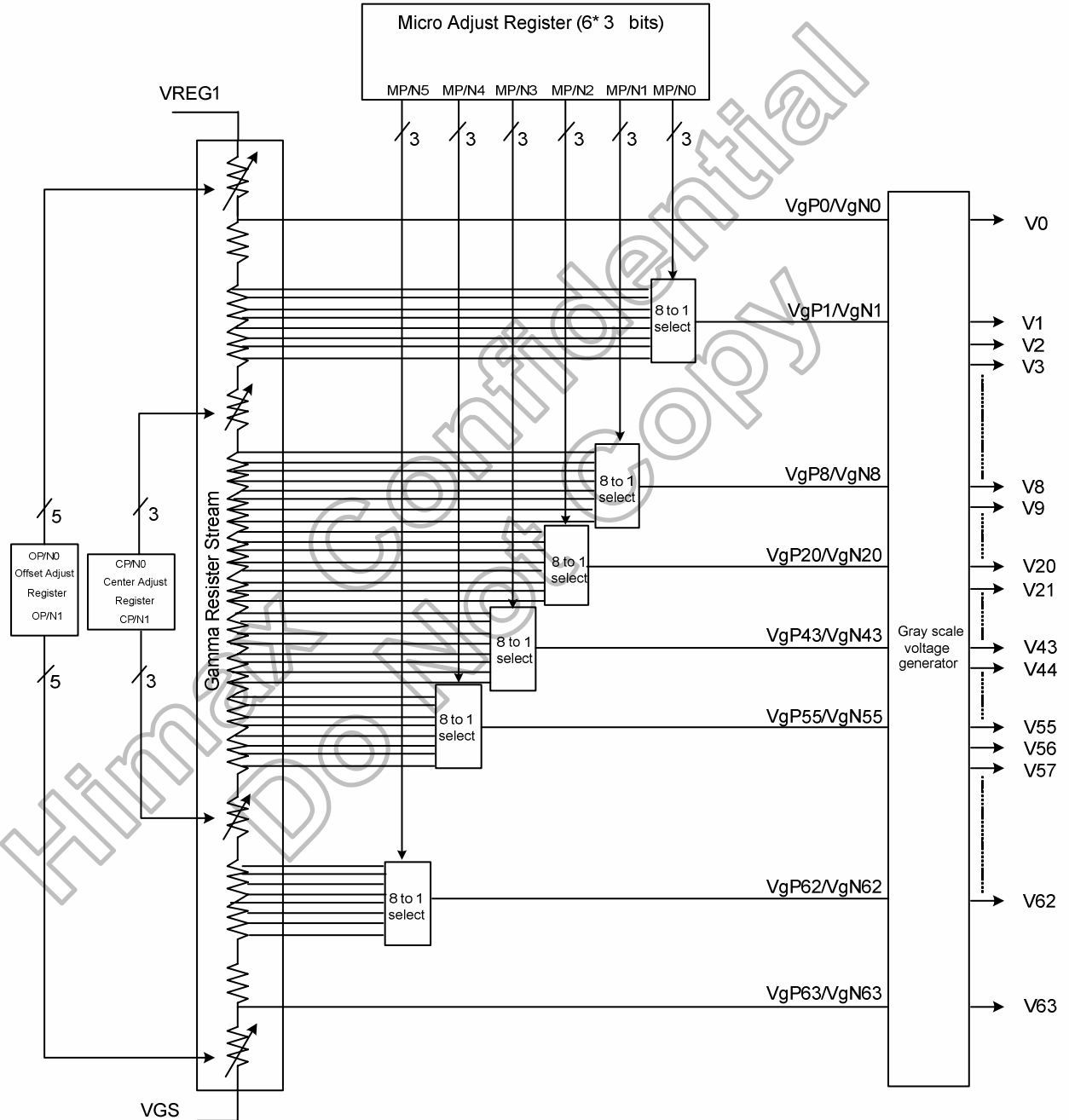


Figure 5. 36 Structure of Grayscale Voltage Generator

5.9.2 Gamma-Characteristics Adjustment Register

This HX8347-A has register groups for specifying a series grayscale voltage that meets the Gamma-characteristics for the LCD panel. These registers are divided into two groups, which correspond to the gradient, amplitude, and macro adjustment of the voltage for the grayscale characteristics. The polarity of each register can be specified independently. (R, G, and B are common.)

5.9.2.1 Offset Adjustment Registers 0/1

The offset adjustment variable registers are used to adjust the amplitude of the grayscale voltage. This function is implemented by controlling these variable resistors in the top and bottom of the gamma resistor stream for reference gamma voltage generation. These registers are available for both positive and negative polarities.

5.9.2.2 Gamma Center Adjustment Registers

The gamma center adjustment registers are used to adjust the reference gamma voltage in the middle level of grayscale without changing the dynamic range. This function is implemented by choosing one input of 8 to 1 selector in the gamma resistor stream for reference gamma voltage generation. These registers are available for both positive and negative polarities.

5.9.3 Gamma Macro Adjustment Registers

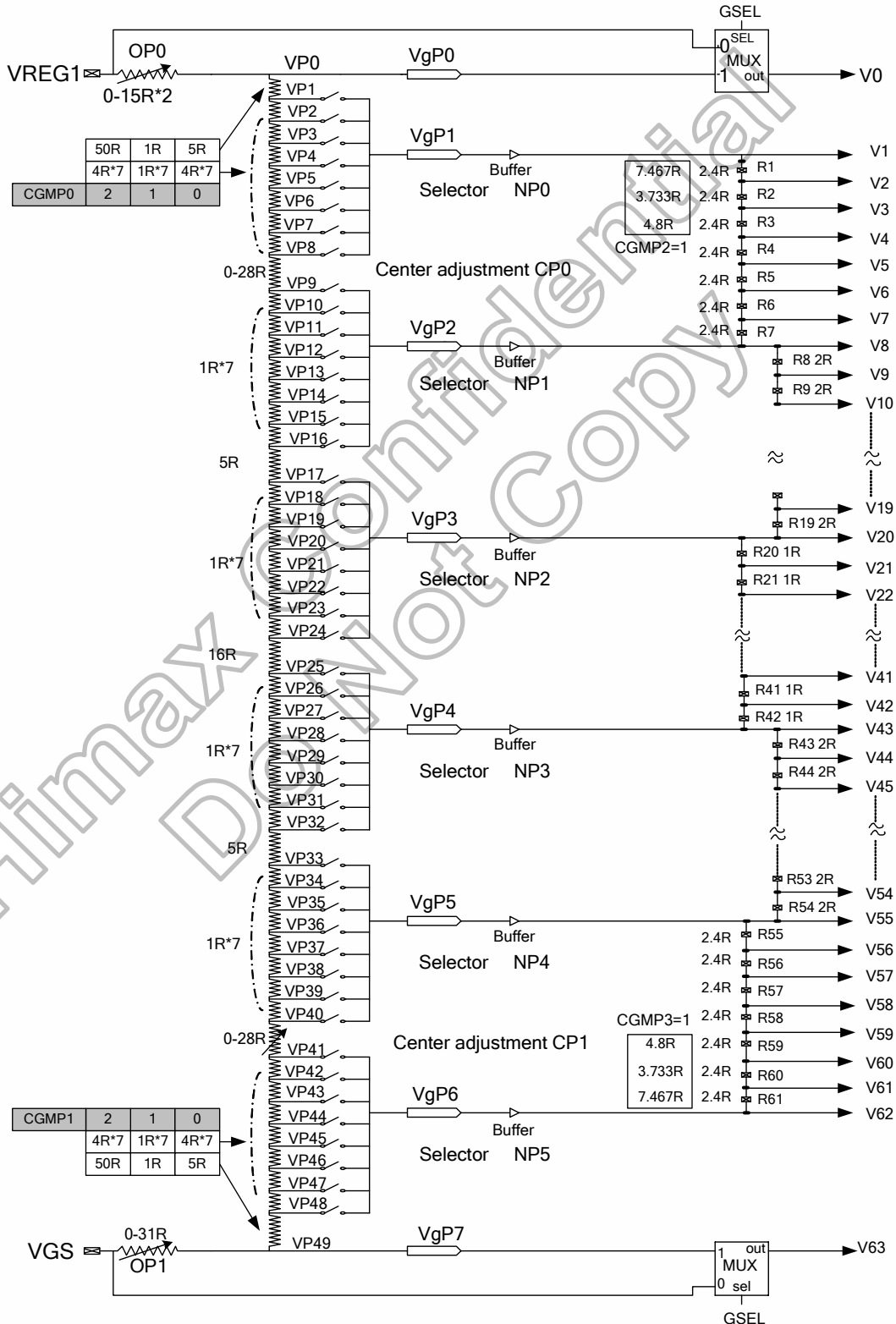
The gamma macro adjustment registers can be used for fine adjustment of the reference gamma voltage. This function is implemented by controlling the 8-to-1 selectors (MP/N0~5), each of which has 8 inputs and generates one reference voltage output (Vg(P/N)1, 8, 20, 43, 55, 62). These registers are available for both positive and negative polarities.

Register Groups	Positive Polarity	Negative Polarity	Description
Center Adjustment	CP0 2-0	CN0 2-0	Variable resistor (VRCP/N0) for center adjustment
	CP1 2-0	CN1 2-0	Variable resistor (VRCP/N1) for center adjustment
Macro Adjustment	MP0 2-0	MN0 2-0	8-to-1 selector (voltage level of grayscale 1)
	MP1 2-0	MN1 2-0	8-to-1 selector (voltage level of grayscale 8)
	MP2 2-0	MN2 2-0	8-to-1 selector (voltage level of grayscale 20)
	MP3 2-0	MN3 2-0	8-to-1 selector (voltage level of grayscale 43)
	MP4 2-0	MN4 2-0	8-to-1 selector (voltage level of grayscale 55)
	MP5 2-0	MN5 2-0	8-to-1 selector (voltage level of grayscale 62)
Offset Adjustment	OP0 3-0	ON0 3-0	Variable resistor (VROP/N0) for offset adjustment
	OP1 4-0	ON1 4-0	Variable resistor (VROP/N1) for offset adjustment

Table 5. 10 Gamma-Adjustment Registers

5.9.4 Gamma Resistor Stream and 8 to 1 Selector

The block consists of two gamma resistor streams, one is for positive polarity and the other is for negative polarity, each one includes eight gamma reference voltages (Vg(P/N)0, 1, 8, 20, 43, 55, 62, 63). Furthermore, the block has a pin (VGS) to connect a variable resistor outside the chip for the variation between panels, if needed.



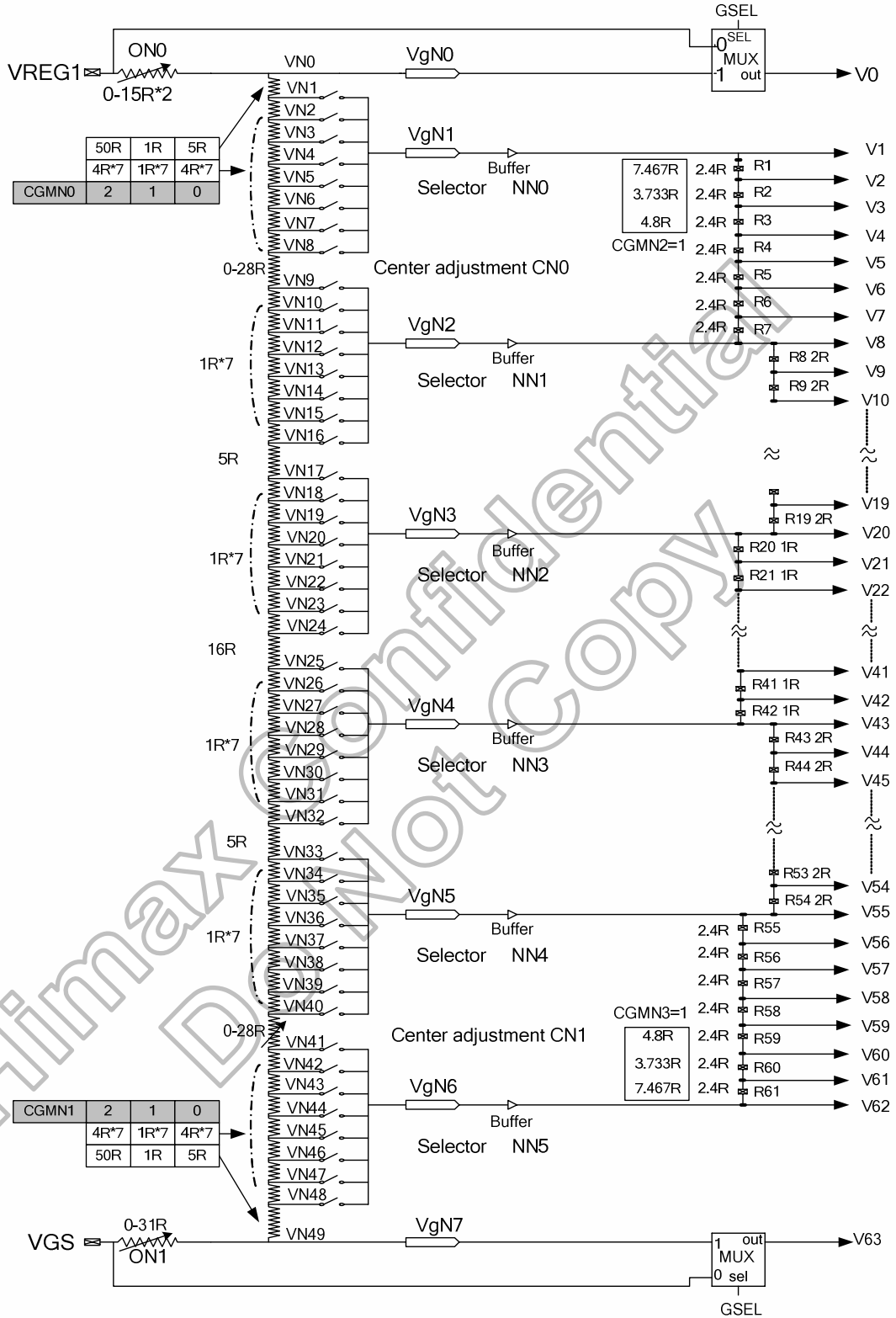


Figure 5. 37 Gamma Resistor Stream and Gamma Reference Voltage

5.9.5 Variable Resistor

There are two types of variable resistors, one is for center adjustment, the other is for offset adjustment. The resistances are decided by setting values in the center adjustment, offset adjustment registers. Their relationship is shown as below.

Value in Register O(P/N)0 3-0	Resistance VRO(P/N)0
0000	0R
0001	2R
0010	4R
⋮	⋮
1101	26R
1110	28R
1111	30R

Table 5. 11 Offset Adjustment 0

Value in Register O(P/N)1 4-0	Resistance VRO(P/N)1
00000	0R
00001	1R
00010	2R
⋮	⋮
11101	29R
11110	30R
11111	31R

Table 5. 12 Offset Adjustment 1

Value in Register C(P/N)0/1 2-0	Resistance VRC(P/N)1
000	0R
001	4R
010	8R
011	12R
100	16R
101	20R
110	24R
111	28R

Table 5. 13 Center Adjustment

8 to 1 Selector

The 8 to 1 selector has eight input voltages generated by gamma resistor stream, and outputs one reference voltages selected from inputs for gamma reference voltage generation by setting value in macro adjustment register. There are six 8 to 1 selectors and the relationship is shown as below.

Value in Register M(P/N) 2-0	Voltage level					
	Vg(P/N) 1	M(P/N) 2-0	Vg(P/N) 1	M(P/N) 2-0	Vg(P/N) 1	M(P/N) 2-0
000	VP(N)1	000	VP(N)1	000	VP(N)1	000
001	VP(N)2	001	VP(N)2	001	VP(N)2	001
010	VP(N)3	010	VP(N)3	010	VP(N)3	010
011	VP(N)4	011	VP(N)4	011	VP(N)4	011
100	VP(N)5	100	VP(N)5	100	VP(N)5	100
101	VP(N)6	101	VP(N)6	101	VP(N)6	101
110	VP(N)7	110	VP(N)7	110	VP(N)7	110
111	VP(N)8	111	VP(N)8	111	VP(N)8	111

Table 5. 14 Output Voltage of 8 to 1 Selector

The grayscale levels are determined by the following formulas:

Reference Voltage	Macro Adjustment Value	Formula	Pin
VgP0	----	$[(VREG1-VD \cdot VROP0 / SumRP)] \cdot GSEL + VREG1 - (VREG1 \cdot GSEL)$	VP0
VgP1	NP0 2-0=000	$VREG1-VD[(VROP0+(CGMP0 \cdot 1R)+5R- (CGMP0 \cdot 5R)] / SumRP$	VP1
	NP0 2-0=001	$VREG1-VD[(VROP0+(CGMP0 \cdot 2R)+9R- (CGMP0 \cdot 9R)] / SumRP$	VP2
	NP0 2-0=010	$VREG1-VD[(VROP0+(CGMP0 \cdot 3R)+13R- (CGMP0 \cdot 13R)] / SumRP$	VP3
	NP0 2-0=011	$VREG1-VD[(VROP0+(CGMP0 \cdot 4R)+17R- (CGMP0 \cdot 17R)] / SumRP$	VP4
	NP0 2-0=100	$VREG1-VD[(VROP0+(CGMP0 \cdot 5R)+21R- (CGMP0 \cdot 21R)] / SumRP$	VP5
	NP0 2-0=101	$VREG1-VD[(VROP0+(CGMP0 \cdot 6R)+25R- (CGMP0 \cdot 25R)] / SumRP$	VP6
	NP0 2-0=110	$VREG1-VD[(VROP0+(CGMP0 \cdot 7R)+29R- (CGMP0 \cdot 29R)] / SumRP$	VP7
	NP0 2-0=111	$VREG1-VD[(VROP0+(CGMP0 \cdot 8R)+33R- (CGMP0 \cdot 33R)] / SumRP$	VP8
VgP2	NP1 2-0=000	$VREG1-VD[(VROP0+(CGMP0 \cdot 8R)+33R- (CGMP0 \cdot 33R) +VRCP0] / SumRP$	VP9
	NP1 2-0=001	$VREG1-VD[(VROP0+(CGMP0 \cdot 9R)+34R- (CGMP0 \cdot 34R) +VRCP0] / SumRP$	VP10
	NP1 2-0=010	$VREG1-VD[(VROP0+(CGMP0 \cdot 10R)+35R- (CGMP0 \cdot 35R) +VRCP0] / SumRP$	VP11
	NP1 2-0=011	$VREG1-VD[(VROP0+(CGMP0 \cdot 11R)+36R- (CGMP0 \cdot 36R) +VRCP0] / SumRP$	VP12
	NP1 2-0=100	$VREG1-VD[(VROP0+(CGMP0 \cdot 12R)+37R- (CGMP0 \cdot 37R) +VRCP0] / SumRP$	VP13
	NP1 2-0=101	$VREG1-VD[(VROP0+(CGMP0 \cdot 13R)+38R- (CGMP0 \cdot 38R) +VRCP0] / SumRP$	VP14
	NP1 2-0=110	$VREG1-VD[(VROP0+(CGMP0 \cdot 14R)+39R- (CGMP0 \cdot 39R) +VRCP0] / SumRP$	VP15
	NP1 2-0=111	$VREG1-VD[(VROP0+(CGMP0 \cdot 15R)+40R- (CGMP0 \cdot 40R) +VRCP0] / SumRP$	VP16
VgP3	NP2 2-0=000	$VREG1-VD[(VROP0+(CGMP0 \cdot 20R)+45R- (CGMP0 \cdot 45R) +VRCP0] / SumRP$	VP17
	NP2 2-0=001	$VREG1-VD[(VROP0+(CGMP0 \cdot 21R)+46R- (CGMP0 \cdot 46R) +VRCP0] / SumRP$	VP18
	NP2 2-0=010	$VREG1-VD[(VROP0+(CGMP0 \cdot 22R)+47R- (CGMP0 \cdot 47R) +VRCP0] / SumRP$	VP19
	NP2 2-0=011	$VREG1-VD[(VROP0+(CGMP0 \cdot 23R)+48R- (CGMP0 \cdot 48R) +VRCP0] / SumRP$	VP20
	NP2 2-0=100	$VREG1-VD[(VROP0+(CGMP0 \cdot 24R)+49R- (CGMP0 \cdot 49R) +VRCP0] / SumRP$	VP21
	NP2 2-0=101	$VREG1-VD[(VROP0+(CGMP0 \cdot 25R)+50R- (CGMP0 \cdot 50R) +VRCP0] / SumRP$	VP22
	NP2 2-0=110	$VREG1-VD[(VROP0+(CGMP0 \cdot 26R)+51R- (CGMP0 \cdot 51R) +VRCP0] / SumRP$	VP23
	NP2 2-0=111	$VREG1-VD[(VROP0+(CGMP0 \cdot 27R)+52R- (CGMP0 \cdot 52R) +VRCP0] / SumRP$	VP24
VgP4	NP3 2-0=000	$VREG1-VD[(VROP0+(CGMP0 \cdot 43R)+68R- (CGMP0 \cdot 68R) +VRCP0] / SumRP$	VP25
	NP3 2-0=001	$VREG1-VD[(VROP0+(CGMP0 \cdot 44R)+69R- (CGMP0 \cdot 69R) +VRCP0] / SumRP$	VP26
	NP3 2-0=010	$VREG1-VD[(VROP0+(CGMP0 \cdot 45R)+70R- (CGMP0 \cdot 70R) +VRCP0] / SumRP$	VP27
	NP3 2-0=011	$VREG1-VD[(VROP0+(CGMP0 \cdot 46R)+71R- (CGMP0 \cdot 71R) +VRCP0] / SumRP$	VP28
	NP3 2-0=100	$VREG1-VD[(VROP0+(CGMP0 \cdot 47R)+72R- (CGMP0 \cdot 72R) +VRCP0] / SumRP$	VP29
	NP3 2-0=101	$VREG1-VD[(VROP0+(CGMP0 \cdot 48R)+73R- (CGMP0 \cdot 73R) +VRCP0] / SumRP$	VP30
	NP3 2-0=110	$VREG1-VD[(VROP0+(CGMP0 \cdot 49R)+74R- (CGMP0 \cdot 74R) +VRCP0] / SumRP$	VP31
	NP3 2-0=111	$VREG1-VD[(VROP0+(CGMP0 \cdot 50R)+75R- (CGMP0 \cdot 75R) +VRCP0] / SumRP$	VP32
VgP5	NP4 2-0=000	$VREG1-VD[(VROP0+(CGMP0 \cdot 55R)+80R- (CGMP0 \cdot 80R) +VRCP0] / SumRP$	VP33
	NP4 2-0=001	$VREG1-VD[(VROP0+(CGMP0 \cdot 56R)+81R- (CGMP0 \cdot 81R) +VRCP0] / SumRP$	VP34
	NP4 2-0=010	$VREG1-VD[(VROP0+(CGMP0 \cdot 57R)+82R- (CGMP0 \cdot 82R) +VRCP0] / SumRP$	VP35
	NP4 2-0=011	$VREG1-VD[(VROP0+(CGMP0 \cdot 58R)+83R- (CGMP0 \cdot 83R) +VRCP0] / SumRP$	VP36
	NP4 2-0=100	$VREG1-VD[(VROP0+(CGMP0 \cdot 59R)+84R- (CGMP0 \cdot 84R) +VRCP0] / SumRP$	VP37
	NP4 2-0=101	$VREG1-VD[(VROP0+(CGMP0 \cdot 60R)+85R- (CGMP0 \cdot 85R) +VRCP0] / SumRP$	VP38
	NP4 2-0=110	$VREG1-VD[(VROP0+(CGMP0 \cdot 61R)+86R- (CGMP0 \cdot 86R) +VRCP0] / SumRP$	VP39
	NP4 2-0=111	$VREG1-VD[(VROP0+(CGMP0 \cdot 62R)+87R- (CGMP0 \cdot 87R) +VRCP0] / SumRP$	VP40
VgP6	NP5 2-0=000	$VREG1-VD[(VROP0+(CGMP0 \cdot 62R)+87R- (CGMP0 \cdot 87R) +VRCP0+VRCP1] / SumRP$	VP41
	NP5 2-0=001	$VREG1-VD[(VROP0+(CGMP0 \cdot 62R)+87R- (CGMP0 \cdot 87R) +VRCP0+VRCP1+4R- (4R \cdot CGMP1)+(CGMP1 \cdot 1R)] / SumRP$	VP42
	NP5 2-0=010	$VREG1-VD[(VROP0+(CGMP0 \cdot 62R)+87R- (CGMP0 \cdot 87R) +VRCP0+VRCP1+8R- (8R \cdot CGMP1)+(CGMP1 \cdot 2R)] / SumRP$	VP43
	NP5 2-0=011	$VREG1-VD[(VROP0+(CGMP0 \cdot 62R)+87R- (CGMP0 \cdot 87R) +VRCP0+VRCP1+12R- (12R \cdot CGMP1)+(CGMP1 \cdot 3R)] / SumRP$	VP44
	NP5 2-0=100	$VREG1-VD[(VROP0+(CGMP0 \cdot 62R)+87R- (CGMP0 \cdot 87R) +VRCP0+VRCP1+16R- (16R \cdot CGMP1)+(CGMP1 \cdot 4R)] / SumRP$	VP45
	NP5 2-0=101	$VREG1-VD[(VROP0+(CGMP0 \cdot 62R)+87R- (CGMP0 \cdot 87R) +VRCP0+VRCP1+20R- (20R \cdot CGMP1)+(CGMP1 \cdot 5R)] / SumRP$	VP46
	NP5 2-0=110	$VREG1-VD[(VROP0+(CGMP0 \cdot 62R)+87R- (CGMP0 \cdot 87R) +VRCP0+VRCP1+24R- (24R \cdot CGMP1)+(CGMP1 \cdot 6R)] / SumRP$	VP47
	NP5 2-0=111	$VREG1-VD[(VROP0+(CGMP0 \cdot 62R)+87R- (CGMP0 \cdot 87R) +VRCP0+VRCP1+28R- (28R \cdot CGMP1)+(CGMP1 \cdot 7R)] / SumRP$	VP48
VgP7	----	$\{ VREG1-VD[(VROP0+(CGMP0 \cdot 62R)+87R- (CGMP0 \cdot 87R) +VRCP0+VRCP1+33R- (33R \cdot CGMP1)+(CGMP1 \cdot 8R)] / SumRP \} \cdot GSEL + VGS - (GSEL \cdot VGS)$	VP49

Note: CGMP0=1 or 0, CGMP1=1 or 0.

Table 5. 15 Voltage Calculation Formula (Positive Polarity)

SumRP = 120R + VROP0+ VROP1+ VRCP0+ VRCP1-(CGMP1*25R)-(CGMP0*25R);
 SumRN = 120R + VRON0+ VRON1+ VRCN0 + VRCN1-(CGMN1*25R)-(CGMN0*25R)
 VD=(VREG1-VGS)

Grayscale Voltage	Formula	Grayscale Voltage	Formula
V0	VgP0	V32	$VgP4+(VgP3-VgP4)*(11/23)$
V1	VgP1	V33	$VgP4+(VgP3-VgP4)*(10/23)$
V2	$VgP2+(VgP1-VgP2)*(1-CGMP2)*(14.4/16.8)+(VgP1-VgP2)*(CGMP2*18.133/25.6)$	V34	$VgP4+(VgP3-VgP4)*(9/23)$
V3	$VgP2+(VgP1-VgP2)*(1-CGMP2)*(12/16.8)+(VgP1-VgP2)*(CGMP2*4.4/25.6)$	V35	$VgP4+(VgP3-VgP4)*(8/23)$
V4	$VgP2+(VgP1-VgP2)*(1-CGMP2)*(9.6/16.8)+(VgP1-VgP2)*(CGMP2*9.6/25.6)$	V36	$VgP4+(VgP3-VgP4)*(7/23)$
V5	$VgP2+(VgP1-VgP2)*(1-CGMP2)*(7.2/16.8)+(VgP1-VgP2)*(CGMP2*7.2/25.6)$	V37	$VgP4+(VgP3-VgP4)*(6/23)$
V6	$VgP2+(VgP1-VgP2)*(1-CGMP2)*(4.8/16.8)+(VgP1-VgP2)*(CGMP2*4.8/25.6)$	V38	$VgP4+(VgP3-VgP4)*(5/23)$
V7	$VgP2+(VgP1-VgP2)*(1-CGMP2)*(2.4/16.8)+(VgP1-VgP2)*(CGMP2*2.4/25.6)$	V39	$VgP4+(VgP3-VgP4)*(4/23)$
V8	VgP2	V40	$VgP4+(VgP3-VgP4)*(3/23)$
V9	$VgP3+(VgP2-VgP3)*(22/24)$	V41	$VgP4+(VgP3-VgP4)*(2/23)$
V10	$VgP3+(VgP2-VgP3)*(20/24)$	V42	$VgP4+(VgP3-VgP4)*(1/23)$
V11	$VgP3+(VgP2-VgP3)*(18/24)$	V43	VgP4
V12	$VgP3+(VgP2-VgP3)*(16/24)$	V44	$VgP5+(VgP4-VgP5)*(22/24)$
V13	$VgP3+(VgP2-VgP3)*(14/24)$	V45	$VgP5+(VgP4-VgP5)*(20/24)$
V14	$VgP3+(VgP2-VgP3)*(12/24)$	V46	$VgP5+(VgP4-VgP5)*(18/24)$
V15	$VgP3+(VgP2-VgP3)*(10/24)$	V47	$VgP5+(VgP4-VgP5)*(16/24)$
V16	$VgP3+(VgP2-VgP3)*(8/24)$	V48	$VgP5+(VgP4-VgP5)*(14/24)$
V17	$VgP3+(VgP2-VgP3)*(6/24)$	V49	$VgP5+(VgP4-VgP5)*(12/24)$
V18	$VgP3+(VgP2-VgP3)*(4/24)$	V50	$VgP5+(VgP4-VgP5)*(10/24)$
V19	$VgP3+(VgP2-VgP3)*(2/24)$	V51	$VgP5+(VgP4-VgP5)*(8/24)$
V20	VgP3	V52	$VgP5+(VgP4-VgP5)*(6/24)$
V21	$VgP4+(VgP3-VgP4)*(22/23)$	V53	$VgP5+(VgP4-VgP5)*(4/24)$
V22	$VgP4+(VgP3-VgP4)*(21/23)$	V54	$VgP5+(VgP4-VgP5)*(2/24)$
V23	$VgP4+(VgP3-VgP4)*(20/23)$	V55	VgP5
V24	$VgP4+(VgP3-VgP4)*(19/23)$	V56	$VgP6+(VgP5-VgP6)*(1-CGMP3)*(14.4/16.8)+(VgP5-VgP6)*(CGMP3*23.2/25.6)$
V25	$VgP4+(VgP3-VgP4)*(18/23)$	V57	$VgP6+(VgP5-VgP6)*(1-CGMP3)*(12/16.8)+(VgP5-VgP6)*(CGMP3*20.8/25.6)$
V26	$VgP4+(VgP3-VgP4)*(17/23)$	V58	$VgP6+(VgP5-VgP6)*(1-CGMP3)*(9.6/16.8)+(VgP5-VgP6)*(CGMP3*18.4/25.6)$
V27	$VgP4+(VgP3-VgP4)*(16/23)$	V59	$VgP6+(VgP5-VgP6)*(1-CGMP3)*(7.2/16.8)+(VgP5-VgP6)*(CGMP3*16/25.6)$
V28	$VgP4+(VgP3-VgP4)*(15/23)$	V60	$VgP6+(VgP5-VgP6)*(1-CGMP3)*(4.8/16.8)+(VgP5-VgP6)*(CGMP3*11.2/25.6)$
V29	$VgP4+(VgP3-VgP4)*(14/23)$	V61	$VgP6+(VgP5-VgP6)*(1-CGMP3)*(2.4/16.8)+(VgP5-VgP6)*(CGMP3*7.467/25.6)$
V30	$VgP4+(VgP3-VgP4)*(13/23)$	V62	VgP6
V31	$VgP4+(VgP3-VgP4)*(12/23)$	V63	VgP7

Table 5. 16 Voltage Calculation Formula of Grayscale Voltage (Positive Polarity)

Reference Voltage	Macro Adjustment Value	Formula	Pin
VgN0	-	$[(VREG1-VD*VRON0 / SumRN)] *GSEL +VREG1-(VREG1*GSEL)$	VN0
VgN1	NN0 2-0=000	$VREG1-VD[(VRON0+(CGMN0*1R)+5R- (CGMN0*5R)] /SumRN$	VN1
	NN0 2-0=001	$VREG1-VD[(VRON0+(CGMN0*2R)+9R- (CGMN0*9R)] /SumRN$	VN2
	NN0 2-0=010	$VREG1-VD[(VRON0+(CGMN0*3R)+13R- (CGMN0*13R)] /SumRN$	VN3
	NN0 2-0=011	$VREG1-VD[(VRON0+(CGMN0*4R)+17R- (CGMN0*17R)] /SumRN$	VN4
	NN0 2-0=100	$VREG1-VD[(VRON0+(CGMN0*5R)+21R- (CGMN0*21R)] /SumRN$	VN5
	NN0 2-0=101	$VREG1-VD[(VRON0+(CGMN0*6R)+25R- (CGMN0*25R)] /SumRN$	VN6
	NN0 2-0=110	$VREG1-VD[(VRON0+(CGMN0*7R)+29R- (CGMN0*29R)] /SumRN$	VN7
	NN0 2-0=111	$VREG1-VD[(VRON0+(CGMN0*8R)+33R- (CGMN0*33R)] /SumRN$	VN8
VgN2	NN1 2-0=000	$VREG1-VD[(VRON0+(CGMN0*8R)+33R- (CGMN0*33R) +VRCN0] /SumRN$	VN9
	NN1 2-0=001	$VREG1-VD[(VRON0+(CGMN0*9R)+34R- (CGMN0*34R) +VRCN0] /SumRN$	VN10
	NN1 2-0=010	$VREG1-VD[(VRON0+(CGMN0*10R)+35R- (CGMN0*35R) +VRCN0] /SumRN$	VN11
	NN1 2-0=011	$VREG1-VD[(VRON0+(CGMN0*11R)+36R- (CGMN0*36R) +VRCN0] /SumRN$	VN12
	NN1 2-0=100	$VREG1-VD[(VRON0+(CGMN0*12R)+37R- (CGMN0*37R) +VRCN0] /SumRN$	VN13
	NN1 2-0=101	$VREG1-VD[(VRON0+(CGMN0*13R)+38R- (CGMN0*38R) +VRCN0] /SumRN$	VN14
	NN1 2-0=110	$VREG1-VD[(VRON0+(CGMN0*14R)+39R- (CGMN0*39R) +VRCN0] /SumRN$	VN15
	NN1 2-0=111	$VREG1-VD[(VRON0+(CGMN0*15R)+40R- (CGMN0*40R) +VRCN0] /SumRN$	VN16
VgN3	NN2 2-0=000	$VREG1-VD[(VRON0+(CGMN0*20R)+45R- (CGMN0*45R) +VRCN0] /SumRN$	VN17
	NN2 2-0=001	$VREG1-VD[(VRON0+(CGMN0*21R)+46R- (CGMN0*46R) +VRCN0] /SumRN$	VN18
	NN2 2-0=010	$VREG1-VD[(VRON0+(CGMN0*22R)+47R- (CGMN0*47R) +VRCN0] /SumRN$	VN19
	NN2 2-0=011	$VREG1-VD[(VRON0+(CGMN0*23R)+48R- (CGMN0*48R) +VRCN0] /SumRN$	VN20
	NN2 2-0=100	$VREG1-VD[(VRON0+(CGMN0*24R)+49R- (CGMN0*49R) +VRCN0] /SumRN$	VN21
	NN2 2-0=101	$VREG1-VD[(VRON0+(CGMN0*25R)+50R- (CGMN0*50R) +VRCN0] /SumRN$	VN22
	NN2 2-0=110	$VREG1-VD[(VRON0+(CGMN0*26R)+51R- (CGMN0*51R) +VRCN0] /SumRN$	VN23
	NN2 2-0=111	$VREG1-VD[(VRON0+(CGMN0*27R)+52R- (CGMN0*52R) +VRCN0] /SumRN$	VN24
VgN4	NN3 2-0=000	$VREG1-VD[(VRON0+(CGMN0*43R)+63R- (CGMN0*63R) +VRCN0] /SumRN$	VN25
	NN3 2-0=001	$VREG1-VD[(VRON0+(CGMN0*44R)+69R- (CGMN0*69R) +VRCN0] /SumRN$	VN26
	NN3 2-0=010	$VREG1-VD[(VRON0+(CGMN0*45R)+70R- (CGMN0*70R) +VRCN0] /SumRN$	VN27
	NN3 2-0=011	$VREG1-VD[(VRON0+(CGMN0*46R)+71R- (CGMN0*71R) +VRCN0] /SumRN$	VNP8
	NN3 2-0=100	$VREG1-VD[(VRON0+(CGMN0*47R)+72R- (CGMN0*72R) +VRCN0] /SumRN$	VN29
	NN3 2-0=101	$VREG1-VD[(VRON0+(CGMN0*48R)+73R- (CGMN0*73R) +VRCN0] /SumRN$	VN30
	NN3 2-0=110	$VREG1-VD[(VRON0+(CGMN0*49R)+74R- (CGMN0*74R) +VRCN0] /SumRN$	VN31
	NN3 2-0=111	$VREG1-VD[(VRON0+(CGMN0*50R)+75R- (CGMN0*75R) +VRCN0] /SumRN$	VN32
VgN5	NN4 2-0=000	$VREG1-VD[(VRON0+(CGMN0*55R)+80R- (CGMN0*80R) +VRCN0] /SumRN$	VN33
	NN4 2-0=001	$VREG1-VD[(VRON0+(CGMN0*56R)+81R- (CGMN0*81R) +VRCN0] /SumRN$	VN34
	NN4 2-0=010	$VREG1-VD[(VRON0+(CGMN0*57R)+82R- (CGMN0*82R) +VRCN0] /SumRN$	VN35
	NN4 2-0=011	$VREG1-VD[(VRON0+(CGMN0*58R)+83R- (CGMN0*83R) +VRCN0] /SumRN$	VN36
	NN4 2-0=100	$VREG1-VD[(VRON0+(CGMN0*59R)+84R- (CGMN0*84R) +VRCN0] /SumRN$	VN37
	NN4 2-0=101	$VREG1-VD[(VRON0+(CGMN0*60R)+85R- (CGMN0*85R) +VRCN0] /SumRN$	VN38
	NN4 2-0=110	$VREG1-VD[(VRON0+(CGMN0*61R)+86R- (CGMN0*86R) +VRCN0] /SumRN$	VN39
	NN4 2-0=111	$VREG1-VD[(VRON0+(CGMN0*62R)+87R- (CGMN0*87R) +VRCN0] /SumRN$	VN40
VgN6	NN5 2-0=000	$VREG1-VD[(VRON0+(CGMN0*62R)+87R- (CGMN0*87R) +VRCN0+VRCN1] /SumRN$	VN41
	NN5 2-0=001	$VREG1-VD[(VRON0+(CGMN0*62R)+87R- (CGMN0*87R) +VRCN0+VRCN1+4R- (4R*CGMN1)+(CGMN1*1R)] /SumRN$	VN42
	NN5 2-0=010	$VREG1-VD[(VRON0+(CGMN0*62R)+87R- (CGMN0*87R) +VRCN0+VRCN1+8R- (8R*CGMN1)+(CGMN1*2R)] /SumRN$	VN43
	NN5 2-0=011	$VREG1-VD[(VRON0+(CGMN0*62R)+87R- (CGMN0*87R) +VRCN0+VRCN1+12R- (12R*CGMN1)+(CGMN1*3R)] /SumRN$	VN44
	NN5 2-0=100	$VREG1-VD[(VRON0+(CGMN0*62R)+87R- (CGMN0*87R) +VRCN0+VRCN1+16R- (16R*CGMN1)+(CGMN1*4R)] /SumRN$	VN45
	NN5 2-0=101	$VREG1-VD[(VRON0+(CGMN0*62R)+87R- (CGMN0*87R) +VRCN0+VRCN1+20R- (20R*CGMN1)+(CGMN1*5R)] /SumRN$	VN46
	NN5 2-0=110	$VREG1-VD[(VRON0+(CGMN0*62R)+87R- (CGMN0*87R) +VRCN0+VRCN1+24R- (24R*CGMN1)+(CGMN1*6R)] /SumRN$	VN47
	NN5 2-0=111	$VREG1-VD[(VRON0+(CGMN0*62R)+87R- (CGMN0*87R) +VRCN0+VRCN1+28R- (28R*CGMN1)+(CGMN1*7R)] /SumRN$	VN48
VgN7	-	$\{ VREG1-VD[(VRON0+(CGMN0*62R)+87R- (CGMN0*87R) +VRCN0+VRCN1+33R- (33R*CGMN1)+(CGMN1*8R)] /SumRN \}$ *GSEL+VGS-(GSEL*VGS)	VN49

Note: CGMN0=1 or 0, CGMN1=1 or 0

Table 5. 17 Voltage Calculation Formula (Negative Polarity)

SumRP = 120R +VROP0+ VROP1+ VRCP0+ VRCP1-(CGMP1*25R)-(CGMP0*25R);
 SumRN = 120R+ VRON0+ VRON1+ VRCN0 + VRCN1-(CGMN1*25R)-(CGMN0*25R)
 VD=(VREG1-VGS)

Grayscale Voltage	Formula	Grayscale Voltage	Formula
V63	VgN0	V31	$VgN4+(VgN3-VgN4)*(11/23)$
V62	VgN1	V30	$VgN4+(VgN3-VgN4)*(10/23)$
V61	$VgN2+(VgN1-VgN2)*(1-CGMN2)*(14.4/16.8)+(VgN1-VgN2)*(CGMN2*18.133/25.6)$	V29	$VgN4+(VgN3-VgN4)*(9/23)$
V60	$VgN2+(VgN1-VgN2)*(1-CGMN2)*(12/16.8)+(VgN1-VgN2)*(1-CGMN2)*(14.4/25.6)$	V28	$VgN4+(VgN3-VgN4)*(8/23)$
V59	$VgN2+(VgN1-VgN2)*(1-CGMN2)*(9.6/16.8)+(VgN1-VgN2)*(CGMN2*9.6/25.6)$	V27	$VgN4+(VgN3-VgN4)*(7/23)$
V58	$VgN2+(VgN1-VgN2)*(1-CGMN2)*(7.2/16.8)+(VgN1-VgN2)*(CGMN2*7.2/25.6)$	V26	$VgN4+(VgN3-VgN4)*(6/23)$
V57	$VgN2+(VgN1-VgN2)*(1-CGMN2)*(4.8/16.8)+(VgN1-VgN2)*(CGMN2*4.8/25.6)$	V25	$VgN4+(VgN3-VgN4)*(5/23)$
V56	$VgN2+(VgN1-VgN2)*(1-CGMN2)*(2.4/16.8)+(VgN1-VgN2)*(CGMN2*2.4/25.6)$	V24	$VgN4+(VgN3-VgN4)*(4/23)$
V55	VgN2	V23	$VgN4+(VgN3-VgN4)*(3/23)$
V54	$VgN3+(VgN2-VgN3)*(22/24)$	V22	$VgN4+(VgN3-VgN4)*(2/23)$
V53	$VgN3+(VgN2-VgN3)*(20/24)$	V21	$VgN4+(VgN3-VgN4)*(1/23)$
V52	$VgN3+(VgN2-VgN3)*(18/24)$	V20	VgN4
V51	$VgN3+(VgN2-VgN3)*(16/24)$	V19	$VgN5+(VgN4-VgN5)*(22/24)$
V50	$VgN3+(VgN2-VgN3)*(14/24)$	V18	$VgN5+(VgN4-VgN5)*(20/24)$
V49	$VgN3+(VgN2-VgN3)*(12/24)$	V17	$VgN5+(VgN4-VgN5)*(18/24)$
V48	$VgN3+(VgN2-VgN3)*(10/24)$	V16	$VgN5+(VgN4-VgN5)*(16/24)$
V47	$VgN3+(VgN2-VgN3)*(8/24)$	V15	$VgN5+(VgN4-VgN5)*(14/24)$
V46	$VgN3+(VgN2-VgN3)*(6/24)$	V14	$VgN5+(VgN4-VgN5)*(12/24)$
V45	$VgN3+(VgN2-VgN3)*(4/24)$	V13	$VgN5+(VgN4-VgN5)*(10/24)$
V44	$VgN3+(VgN2-VgN3)*(2/24)$	V12	$VgN5+(VgN4-VgN5)*(8/24)$
V43	VgN3	V11	$VgN5+(VgN4-VgN5)*(6/24)$
V42	$VgN4+(VgN3-VgN4)*(22/23)$	V10	$VgN5+(VgN4-VgN5)*(4/24)$
V41	$VgN4+(VgN3-VgN4)*(21/23)$	V9	$VgN5+(VgN4-VgN5)*(2/24)$
V40	$VgN4+(VgN3-VgN4)*(20/23)$	V8	VgN5
V39	$VgN4+(VgN3-VgN4)*(19/23)$	V7	$VgN6+(VgN5-VgN6)*(1-CGMN3)*(14.4/16.8)+(VgN5-VgN6)*(CGMN3*23.2/25.6)$
V38	$VgN4+(VgN3-VgN4)*(18/23)$	V6	$VgN6+(VgN5-VgN6)*(1-CGMN3)*(12/16.8)+(VgN5-VgN6)*(CGMN3*20.8/25.6)$
V37	$VgN4+(VgN3-VgN4)*(17/23)$	5	$VgN6+(VgN5-VgN6)*(1-CGMN3)*(9.6/16.8)+(VgN5-VgN6)*(CGMN3*18.4/25.6)$
V36	$VgN4+(VgN3-VgN4)*(16/23)$	V4	$VgN6+(VgN5-VgN6)*(1-CGMN3)*(7.2/16.8)+(VgN5-VgN6)*(CGMN3*16/25.6)$
V35	$VgN4+(VgN3-VgN4)*(15/23)$	V3	$VgN6+(VgN5-VgN6)*(1-CGMN3)*(4.8/16.8)+(VgN5-VgN6)*(CGMN3*11.2/25.6)$
V34	$VgN4+(VgN3-VgN4)*(14/23)$	V2	$VgN6+(VgN5-VgN6)*(1-CGMN3)*(2.4/16.8)+(VgN5-VgN6)*(CGMN3*7.467/25.6)$
V33	$VgN4+(VgN3-VgN4)*(13/23)$	V1	VgN6
V32	$VgN4+(VgN3-VgN4)*(12/23)$	V0	VgN7

Table 5. 18 Voltage Calculation Formula of Grayscale Voltage (Negative Polarity)

Relationship between GRAM Data and Output Level (INVON = "0")

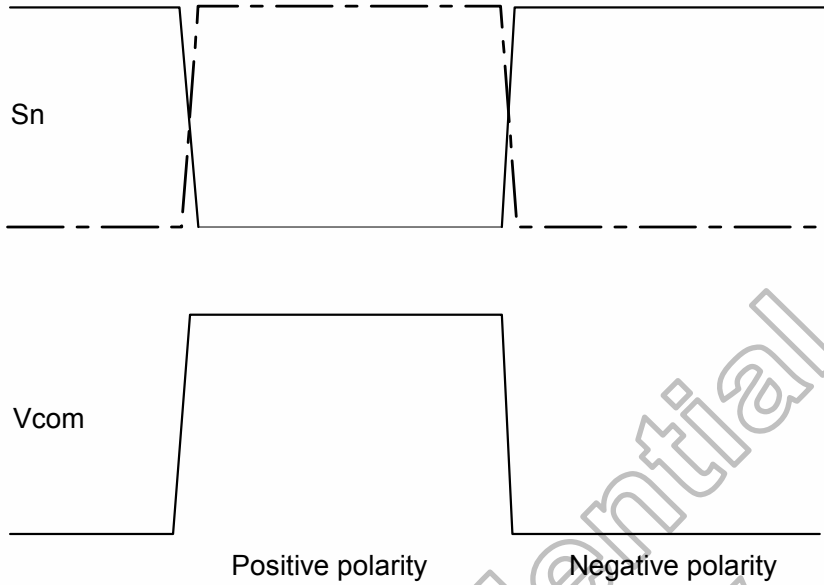
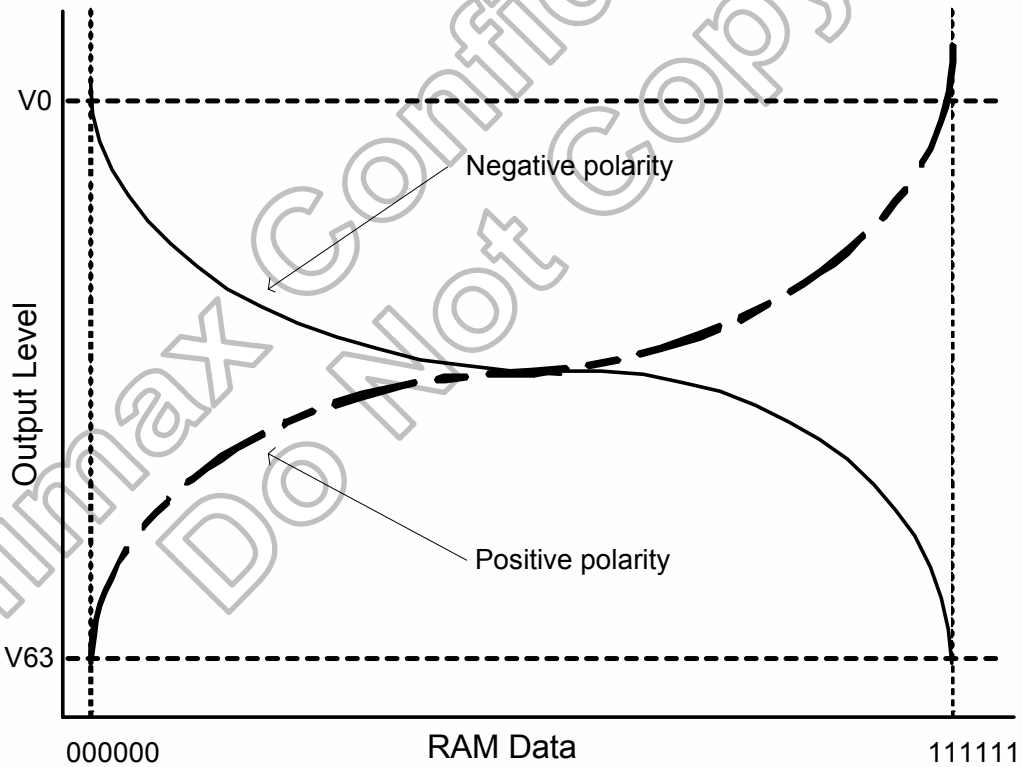


Figure 5. 38 Relationship between Source Output and Vcom



(Same characteristic for each RGB)

Figure 5. 39 Relationship between GRAM Data and Output Level

5.10 Scan Mode Setting

The HX8347-A can set internal register SM and GS bits to determine the pin assignment of gate. The combination of SM and GS settings allows changing the shift direction of gate outputs by connecting LCD panel with the HX8347-A.

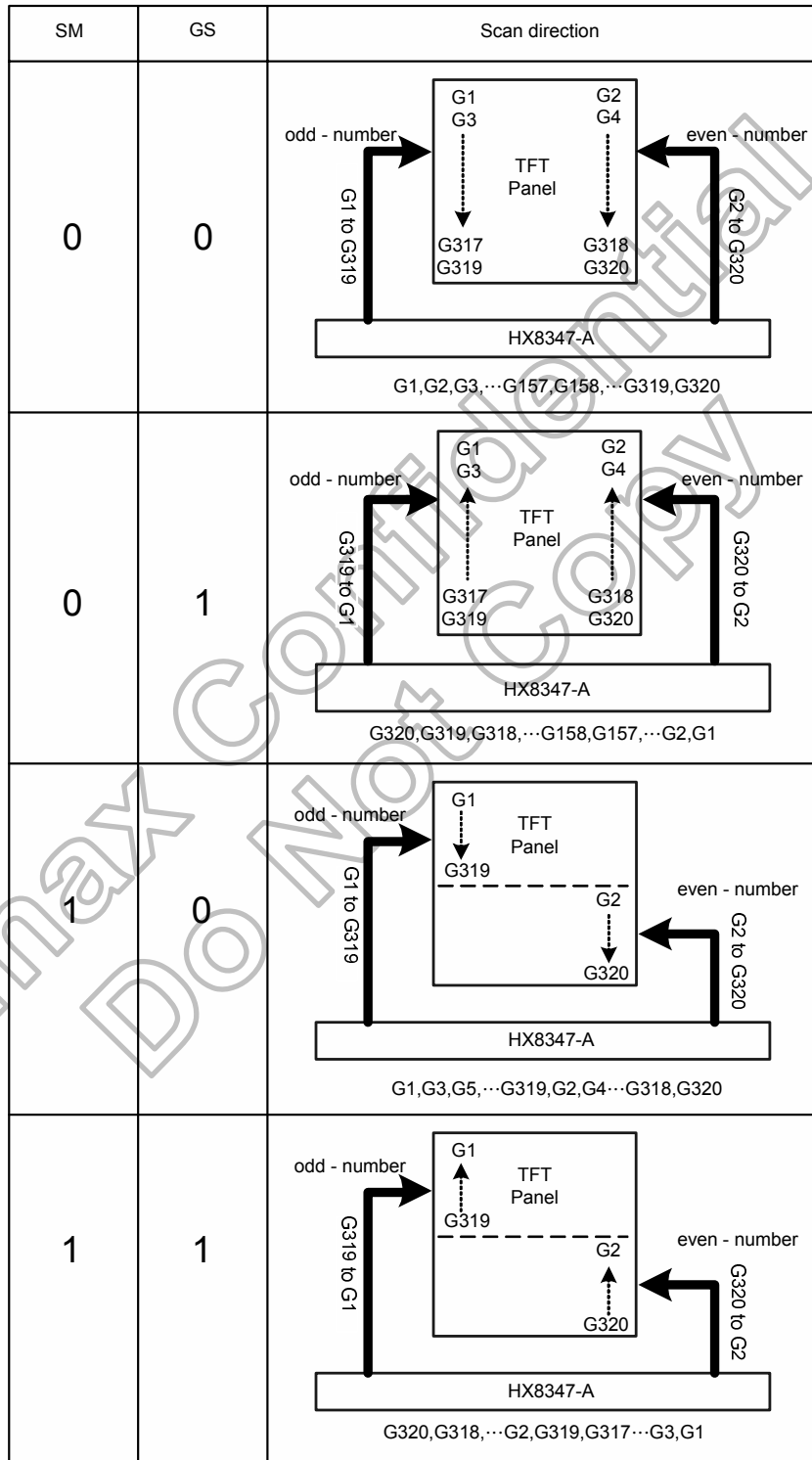


Figure 5. 40 Scan Function

5.11 Oscillator

The HX8347-A can oscillate an internal R-C oscillator with an internal oscillation resistor (Rf). The oscillation frequency is changed according to the RADJ[3:0] internal register. Please refer to extended command set B0h. The default frequency is 5.5MHz.

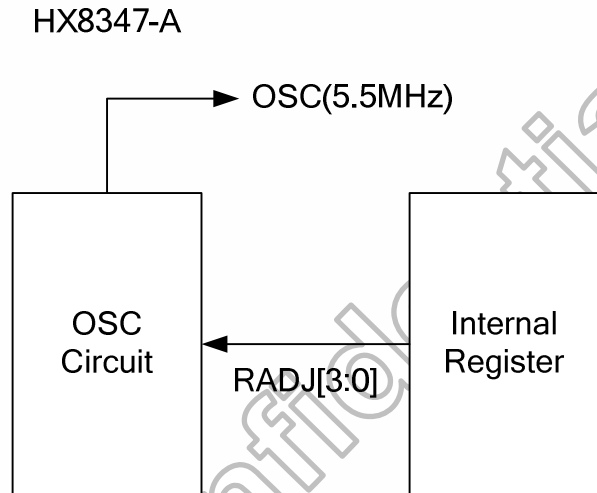


Figure 5. 41 Oscillation Circuit

5.12 Register Setting Flow (Register-Content Interface mode only)

The following are the sequences of register setting flow that applied to the HX8347-A driving the TFT display, when operate in Register-Content interface mode.

Display On/Off Set flow

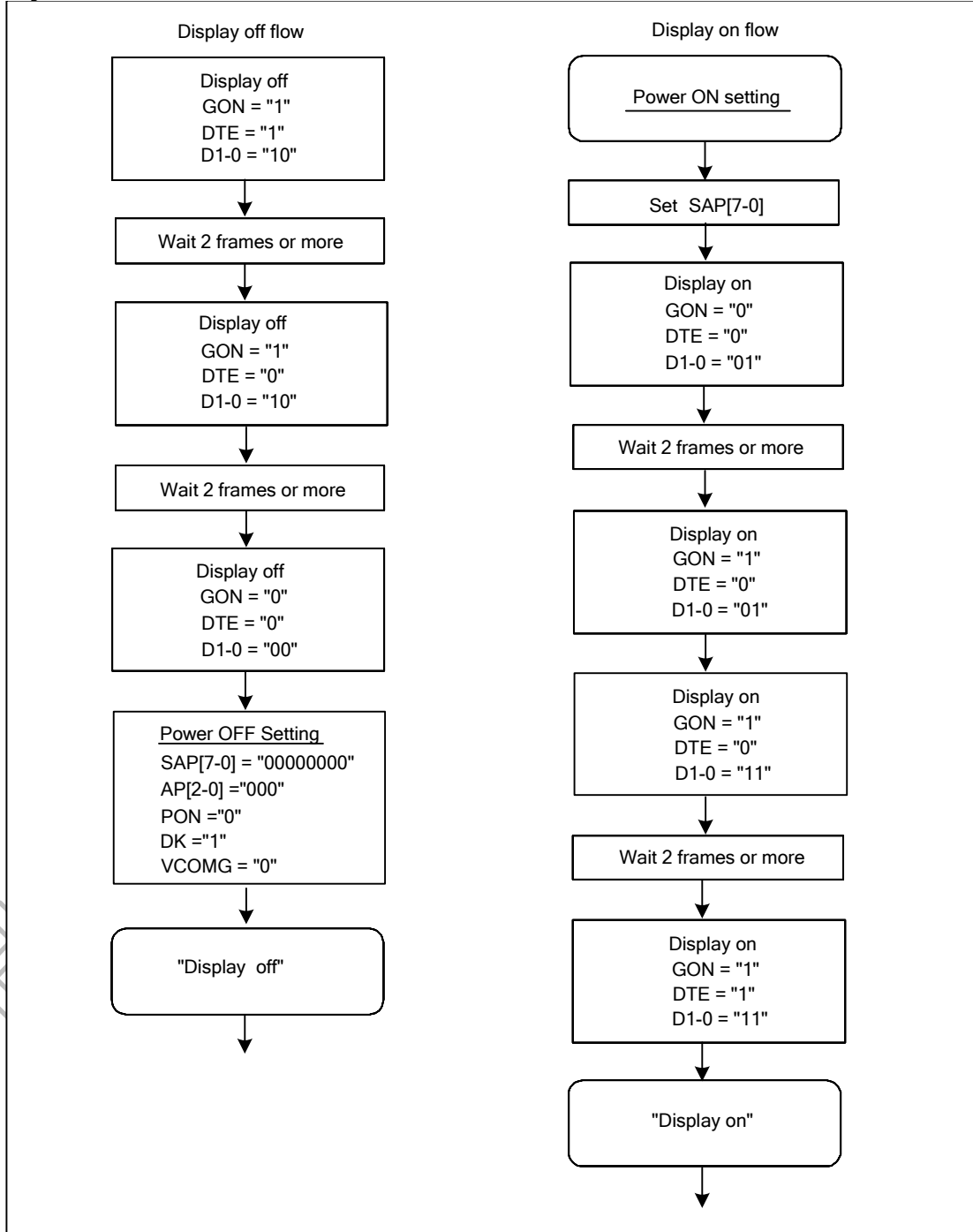
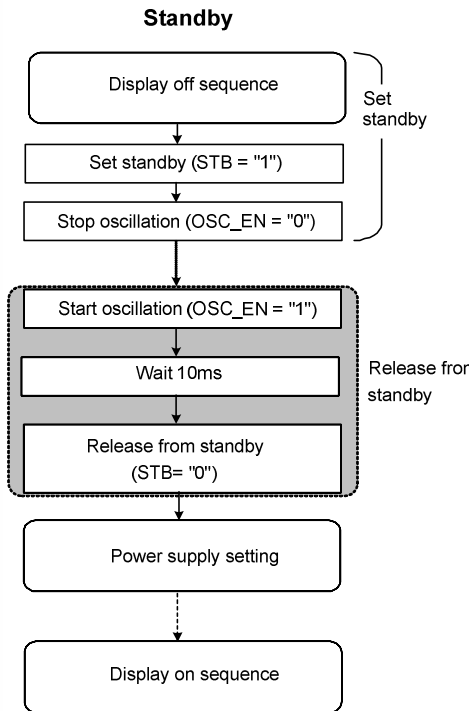


Figure 5. 42 Display On/Off Set Sequence

Standby Mode Set flow



Note: HX8347-A doesn't have the Sleep mode in Register-Content interface mode.

Figure 5. 43 Standby Mode Setting Sequence

5.13 Power Supply Setting

The power supply setting sequence of the HX8347-A is follow as blew.

Power Supply Setting Flow

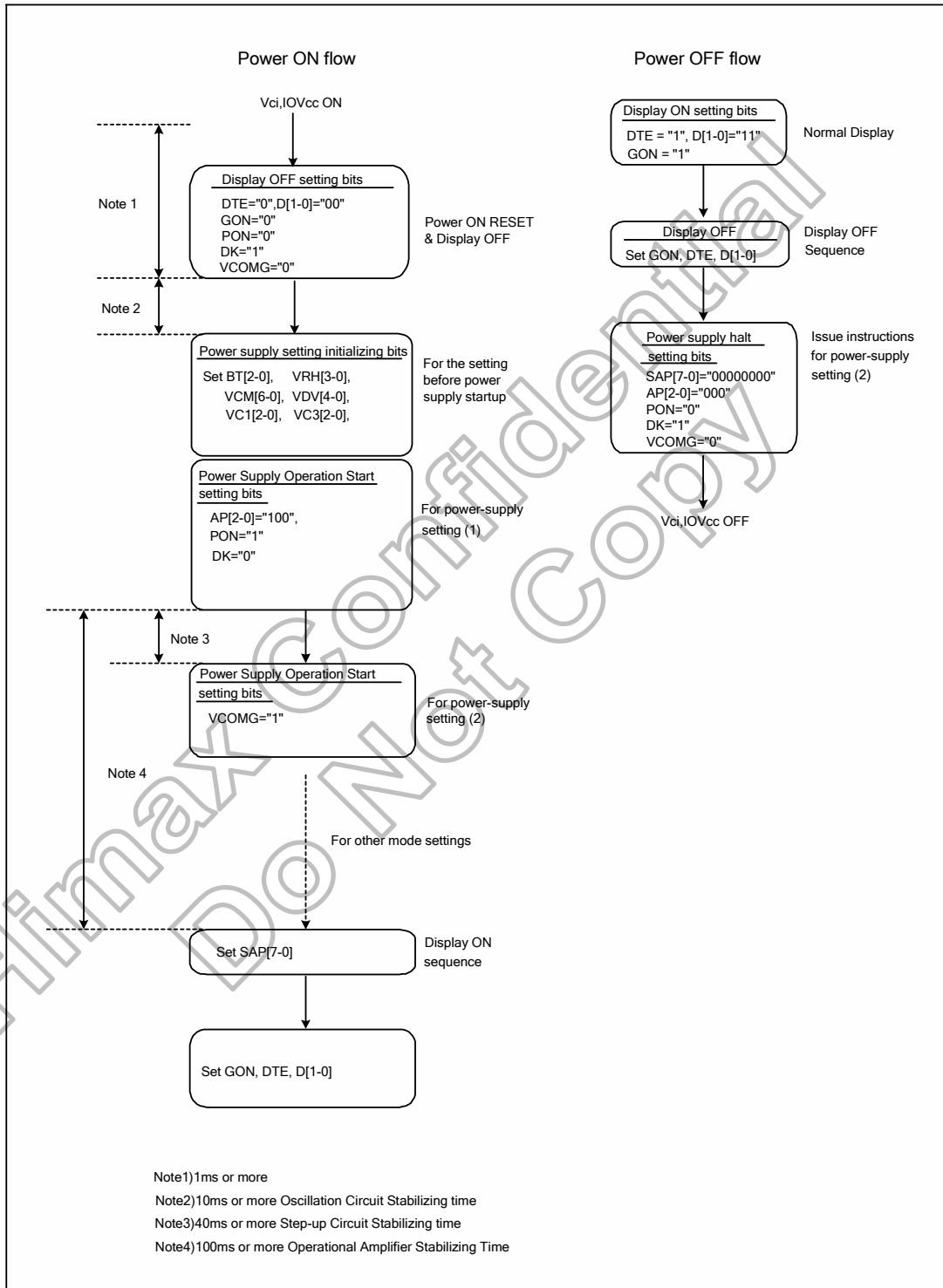


Figure 5. 44 Power Supply Setting Flow

5.14 Input / Output Pin State

5.14.1 Output or Bi-directional (I/O) Pins

Output or Bi-directional pins	After Power On	After Hardware Reset	After Software Reset
TE	Low	Low	Low
D17 to D0 (Output driver)	High-Z (Inactive)	High-Z (Inactive)	High-Z (Inactive)
VSYNC	Low	Low	Low
TEST1	Low	Low	Low

Table 5. 19 State of Output or Bi-directional (I/O) Pins

Note: There will be no output from D17-D0 during Power On/Off sequence, Hardware Reset and Software Reset.

5.14.2 Input Pins

Input pins	During Power On Process	After Power On	After Hardware Reset	After Software Reset	During Power Off Process
NRESET	See Section 5.12	Input valid	Input valid	Input valid	See Section 5.12
NCS	Input valid	Input valid	Input valid	Input valid	Input valid
DNC_SCL	Input valid	Input valid	Input valid	Input valid	Input valid
NWR_RNW	Input valid	Input valid	Input valid	Input valid	Input valid
NRD_E	Input valid	Input valid	Input valid	Input valid	Input valid
D17 to D0	Input valid	Input valid	Input valid	Input valid	Input valid
HSYNC	Input valid	Input valid	Input valid	Input valid	Input valid
VSYNC	Input valid	Input valid	Input valid	Input valid	Input valid
DOTCLK	Input valid	Input valid	Input valid	Input valid	Input valid
ENABLE	Input valid	Input valid	Input valid	Input valid	Input valid
OSC, BURN, P68, BS2, BS1, BS0,	Input valid	Input valid	Input valid	Input valid	Input valid
EXTC	Input valid	Input valid	Input valid	Input valid	Input valid

Table 5. 20 State of Input Pins

5.15 OTP Programming

OTP_INDEX	D7	D6	D5	D4	D3	D2	D1	D0
0	Himax internal use(no open)							
1	Himax internal use(no open)							
2	Himax internal use(no open)							
3	Himax internal use(no open)							
4	Himax internal use(no open)							
5	Himax internal use(no open)							
6	Himax internal use(no open)							
7	Himax internal use(no open)							
8	BGR_PANEL	DIV_I[1:0]		DIV_PI[1:0]		DIV_N[1:0]		RGB_EN
9	VDV[3:0]			SM_PANEL	SS_PANEL	GS_PANEL	REV_PANEL	
10	VCM[6:0]							VDV[4]
11	Himax internal use(no open)							
12	Himax internal use(no open)							
13	ID2[6:0]							NVALID3
14	ID3[7:0]							
15	ID1[7:0]							

Table 5. 21 OTP memory table

Programming Flow

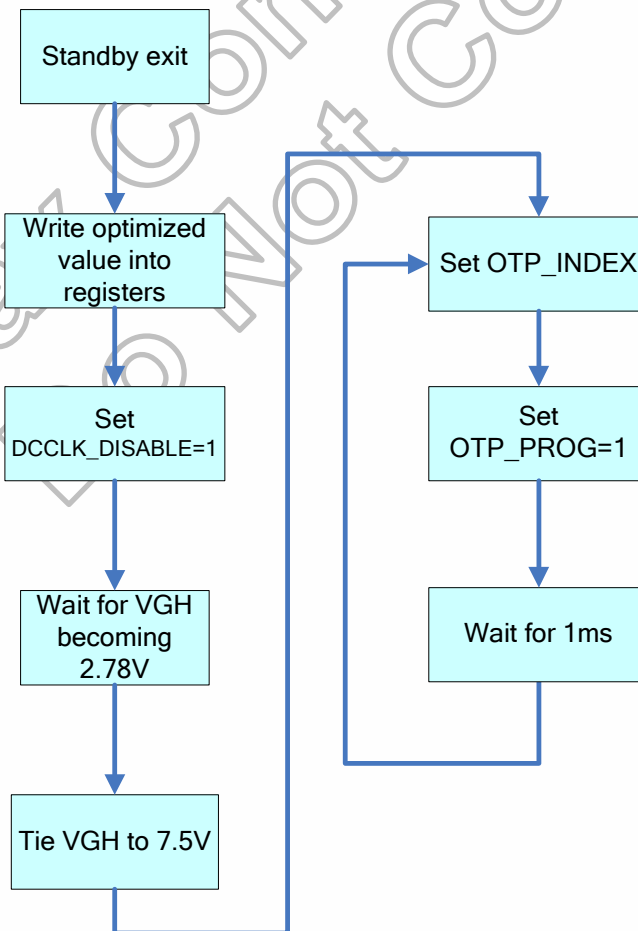
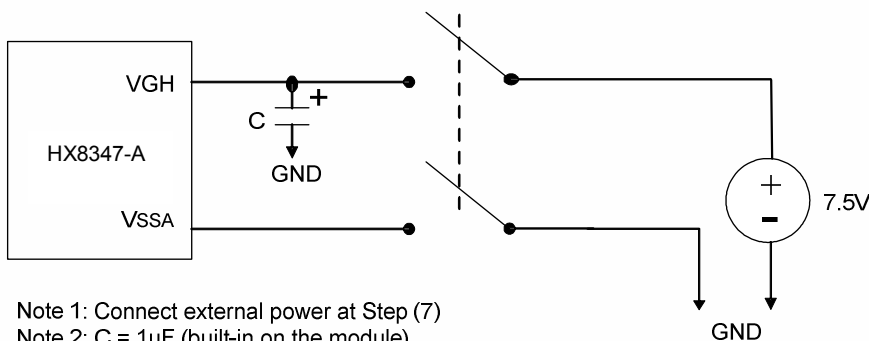


Figure 5. 45 OTP Programming Flow

Programming sequence

Step	Operation																								
1	Power on and reset the module																								
2	Set OTP_LOAD_DISABLE=1, disable the auto-loading function.																								
3	OSC_EN=1, STB=0																								
4	Wait 120ms																								
5	Write optimized value to related register																								
	<table border="1"> <thead> <tr> <th>Command</th> <th>Register</th> <th>Description</th> </tr> </thead> <tbody> <tr> <td>Cycle Control4 (3Dh)</td> <td>DIV_I[1:0], DIV_PI[1:0], DIV_N[1:0]</td> <td>The division ratio of clocks in display mode</td> </tr> <tr> <td>RGB interface control 1 (39h)</td> <td>RGB_EN</td> <td>RGB I/F Disable/Enable</td> </tr> <tr> <td>VCOM Control2 (44h)</td> <td>VCM[6:0]</td> <td>VcomH voltage (High level voltage of VCOM)</td> </tr> <tr> <td>VCOM Control3 (45h)</td> <td>VDV[4:0]</td> <td>Vcom amplitude (VcomL = VcomH – Vcom amplitude, VcomL ≥ VCL+0.5V)</td> </tr> <tr> <td>Internal Use16 (64h)</td> <td>ID1[7:0]</td> <td>LCD module/driver version</td> </tr> <tr> <td>Internal Use17 (65h)</td> <td>ID2[6:0]</td> <td>LCD module/driver version</td> </tr> <tr> <td>Internal Use18 (66h)</td> <td>ID3[7:0]</td> <td>Identifies the LCD module/driver</td> </tr> </tbody> </table>	Command	Register	Description	Cycle Control4 (3Dh)	DIV_I[1:0], DIV_PI[1:0], DIV_N[1:0]	The division ratio of clocks in display mode	RGB interface control 1 (39h)	RGB_EN	RGB I/F Disable/Enable	VCOM Control2 (44h)	VCM[6:0]	VcomH voltage (High level voltage of VCOM)	VCOM Control3 (45h)	VDV[4:0]	Vcom amplitude (VcomL = VcomH – Vcom amplitude, VcomL ≥ VCL+0.5V)	Internal Use16 (64h)	ID1[7:0]	LCD module/driver version	Internal Use17 (65h)	ID2[6:0]	LCD module/driver version	Internal Use18 (66h)	ID3[7:0]	Identifies the LCD module/driver
	Command	Register	Description																						
	Cycle Control4 (3Dh)	DIV_I[1:0], DIV_PI[1:0], DIV_N[1:0]	The division ratio of clocks in display mode																						
	RGB interface control 1 (39h)	RGB_EN	RGB I/F Disable/Enable																						
	VCOM Control2 (44h)	VCM[6:0]	VcomH voltage (High level voltage of VCOM)																						
	VCOM Control3 (45h)	VDV[4:0]	Vcom amplitude (VcomL = VcomH – Vcom amplitude, VcomL ≥ VCL+0.5V)																						
	Internal Use16 (64h)	ID1[7:0]	LCD module/driver version																						
	Internal Use17 (65h)	ID2[6:0]	LCD module/driver version																						
Internal Use18 (66h)	ID3[7:0]	Identifies the LCD module/driver																							
Note: BGR_PANEL, SM_PANEL, SS_PANEL, GS_PANEL, REV_PANEL are don't care in Register-Content Interface mode.																									
6	Set OTP_DCCLK_DISABLE=1, disable internal pumping clock.																								
7	Wait 500ms for power down																								
8	Connect external power 7.5V to VGH pin																								
9	Specify OTP_index																								
	<table border="1"> <thead> <tr> <th>OTP_index</th> <th>Parameter</th> </tr> </thead> <tbody> <tr> <td>0x08h</td> <td>BGR_PANEL, DIV_I[1:0], DIV_PI[1:0], DIV_N[1:0], RGB_EN</td> </tr> <tr> <td>0x09h</td> <td>VDV[3:0], SM_PANEL, SS_PANEL, GS_PANEL, REV_PANEL</td> </tr> <tr> <td>0x0Ah</td> <td>VCM[6:0], VDV[4]</td> </tr> <tr> <td>0x0Dh</td> <td>ID2[6:0]</td> </tr> <tr> <td>0x0Eh</td> <td>ID3[7:0]</td> </tr> <tr> <td>0x0Fh</td> <td>ID1[7:0]</td> </tr> </tbody> </table>	OTP_index	Parameter	0x08h	BGR_PANEL, DIV_I[1:0], DIV_PI[1:0], DIV_N[1:0], RGB_EN	0x09h	VDV[3:0], SM_PANEL, SS_PANEL, GS_PANEL, REV_PANEL	0x0Ah	VCM[6:0], VDV[4]	0x0Dh	ID2[6:0]	0x0Eh	ID3[7:0]	0x0Fh	ID1[7:0]										
	OTP_index	Parameter																							
	0x08h	BGR_PANEL, DIV_I[1:0], DIV_PI[1:0], DIV_N[1:0], RGB_EN																							
	0x09h	VDV[3:0], SM_PANEL, SS_PANEL, GS_PANEL, REV_PANEL																							
	0x0Ah	VCM[6:0], VDV[4]																							
	0x0Dh	ID2[6:0]																							
	0x0Eh	ID3[7:0]																							
0x0Fh	ID1[7:0]																								
10	Set OTP_Mask=0x00h, programming all of the bit of one parameter.																								
11	Set OTP_PROG=1, Internal register begin write to OTP according to OTP_index.																								
12	Wait 1 ms																								
13	Complete programming one parameter to OTP. If continue to programming other parameter, return to step (9). Otherwise, power off the module and remove the external power on VGH pin.																								

Programming circuitry



Note 1: Connect external power at Step (7)
 Note 2: C = 1uF (built-in on the module)

5.16 Free Running Mode Specification

Burn-in of TFT displays consists of driving each module for 10hr at a temperature of 60°C. In order to drive the modules, it requires extra electronics. To reduce the burn-in cost, it is requested that the driver IC will generate the required display image without requiring extra electronics. We term this a free running mode (FR-mode). For burn-in, it is sufficient that the display is powered up with a plane saturated black or saturated white pattern. Black should be used for burn-in, since this result in a larger pixel voltage. White is used to verify if the free running mode is properly functioning. Please note that the black and the white pattern are reversed in case of a normally black display.

Parameter	Symbol	Description
Power supply pins	IOVCC, VCI	All power supply pins
Free running mode	BURN	BURN=1, FR-mode is enabled.
Reset	NRESET	Active low pulse in order to start the FR-mode.
Chip select (1)	NCS	This pin will be left open during FRM mode.
Data enable (1)	ENABLE	This pin will be left open during FRM mode.
Reads/not write (1)	NWR_RNW	This pin will be left open during FRM mode.
Data/not command (1)	DNC_SCL	This pin will be left open during FRM mode.
Interface select (1)	IFSEL0	This pin will be left open during FRM mode.
Horizontal sync (1)	HSYNC	This pin will be left open during FRM mode.
Vertical sync (1)	VSYNC	This pin will be left open during FRM mode.
Data clock	DOTCLK	This pin will be left open during FRM mode.
CPU I/F Data (1)	D[0..17]	This pin will be left open during FRM mode.
SPI I/F Data (1)	SDI, SDO	This pin will be left open during FRM mode.

Table 5. 22 Pin Information

Note: As a general rule, all control pins of the interfaces like chip-select, data-enable, etc, must be disabled, all mode select pins like data-not-command, interface-select etc and all data-bus pins must be set to either logic high or logic low during the FR-mode.

Power-on Sequence

The FR-mode starts automatically after the power supply is switched on and a reset pulse is applied to the Reset-pin, if the BURN pin is set to logical high. In case of separate supply pins for the analogue supply and digital supply, both supply pins will be connected together, if it is supported by the driver specification. Otherwise, each supply voltage will be switched on separately according to the requested power-on sequence. The BURN and all other digital I/F pins, which will be set to logic high during the free running mode, can be switched to logic high together with the digital supply pin. The FR-mode will be restarted if the reset pulse is applied a second time. The OTP starts to load when Reset leaves low to high.

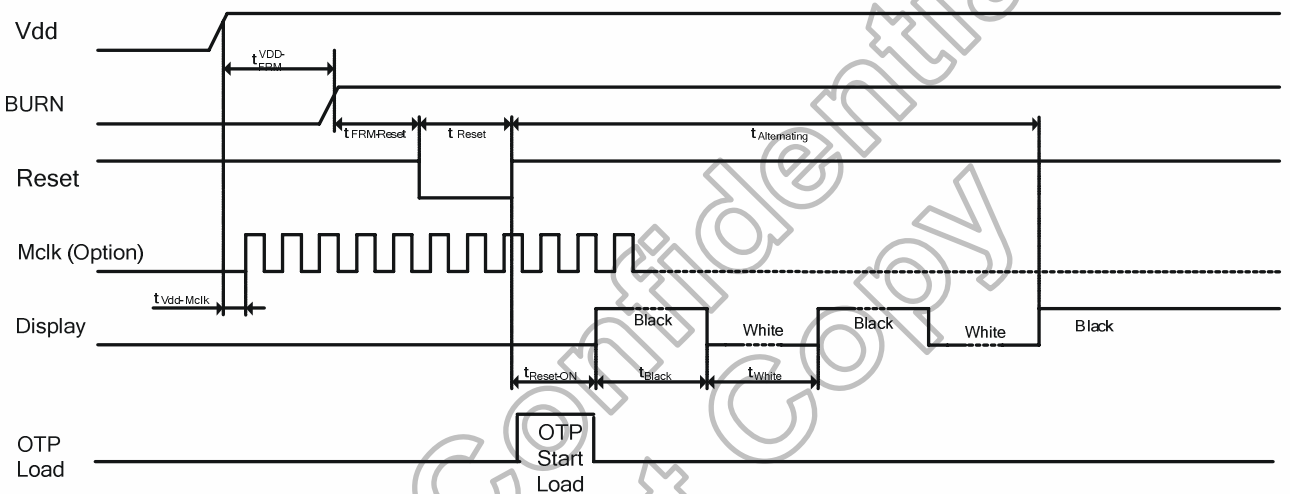


Figure 5. 46 Power On Sequence of FR-mode (for Normally-White Panel)

Power off Sequence

The power supply can be switched off any time.

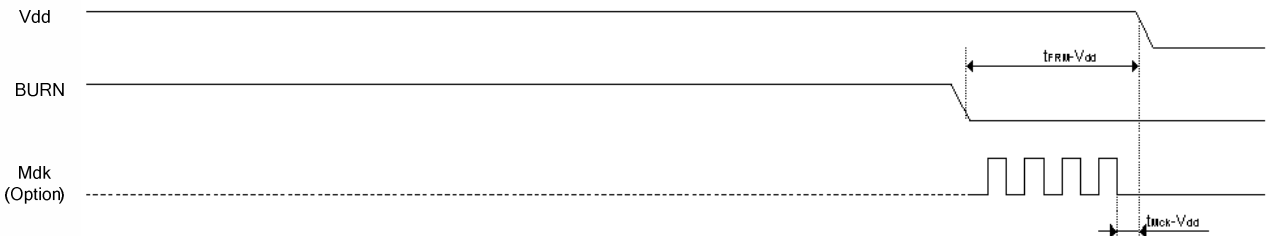


Figure 5. 47 Power Off Sequence of FR-mode

Free Running Mode Display

The display will show an alternating black and white picture for about the first 5 minutes. The black to white ratio shall be 50%/50%. The time of the black and white pattern shall be around 1 seconds in order to avoid a too long waiting time to verify that the FR-mode is functioning properly. The display is switched to a static black pattern after the alternating mode is finished. Thus, most efficient burn-in stress is ensured. The display shall work in idle-mode. There is no special restriction for the frame frequency. It can be between 5 and 100Hz. The frame frequency will be set according to the parameter in the OTP.

Alternating Black and White Pattern	$t_{\text{Alternating}}$	-	5	-	min
Master Clock Frequency	f_{Mclk}	-	-	10	MHz

Table 5. 23 Frequency Definition of Free Running Mode Display

Himax Confidential
Do Not Copy

6. Command

6.1 Command Set

Table 6. 1 List Table of Register Set

Register No.	Register	W/R	RS	Upper Code	Lower Code								Comment	
				D[17:8]	D7	D6	D5	D4	D3	D2	D1	D0		
R01h	Display Mode control	W/R	1	*	*	*	*	*	IDMON (0)	INVON (1)	NORON (1)	PTLON (0)		
R02h	Column address start 2	W/R	1	*	SC[15:8] (8'b0)									
R03h	Column address start 1	W/R	1	*	SC[7:0] (8'b0)									
R04h	Column address end 2	W/R	1	*	EC[15:8] (8'b0)									
R05h	Column address end 1	W/R	1	*	EC[7:0] (8'b1110_1111)									
R06h	Row address start 2	W/R	1	*	SP[15:8] (8'b0)									
R07h	Row address start 1	W/R	1	*	SP[7:0] (8'b0)									
R08h	Row address end 2	W/R	1	*	EP[15:8] (8'b0000_0001)									
R09h	Row address end 1	W/R	1	*	EP[7:0] (8'b0011_1111)									
R0Ah	Partial area start row 2	W/R	1	*	PSL[15:8] (8'b0)									
R0Bh	Partial area start row 1	W/R	1	*	PSL[7:0] (8'b0)									
R0Ch	Partial area end row 2	W/R	1	*	PEL[15:8] (8'b0000_0001)									
R0Dh	Partial area end row 1	W/R	1	*	PEL[7:0] (8'b0011_1111)									
R0Eh	Vertical Scroll Top fixed area 2	W/R	1	*	TFA[15:8] (8'b0)									
R0Fh	Vertical Scroll Top fixed area 1	W/R	1	*	TFA[7:0] (8'b0)									
R10h	Vertical Scroll height area 2	W/R	1	*	VSA[15:8] (8'b0000_0001)									
R11h	Vertical Scroll height area 1	W/R	1	*	VSA[7:0] (8'b0011_1111)									
R12h	Vertical Scroll Button area 2	W/R	1	*	BFA[15:8] (8'b0)									
R13h	Vertical Scroll Button area 1	W/R	1	*	BFA [7:0] (8'b0)									
R14h	Vertical Scroll Start address 2	W/R	1	*	VSP [15:8] (8d'0)									
R15h	Vertical Scroll Start address 1	W/R	1	*	VSP [7:0] (8d'0)									
R16h	Memory Access control	W/R	1	*	MY(0)	MX(0)	MV(0)	ML(0)	BGR(0)	*	*	*		
R18h	Gate Scan control	W/R	1	*	*	*	*	*	*	*	SCROL_ON (0)	SM(0)		
R19h	OSC Control 1	W/R	1	*	*	CADJ[3:0] (1000)			CUADJ[2:0] (011)			OSC_EN(1)		
R1Ah	OSC Control 2	W/R	1	*	*	*	*	*	*	*	*	OSC_TEST(0)		
R1Bh	Power Control 1	W/R	1	*	GASENB (0)	*	*	PON(0)	DK(0)	XDK(0)	VLCD_TRI(0)	STB(1)		
R1Ch	Power Control 2	W/R	1	*	*	AP[2:0] (100)								
R1Dh	Power Control 3	W/R	1	*	*	VC1[2:0] (100)								
R1Eh	Power Control 4	W/R	1	*	*	VC3[2:0] (000)								
R1Fh	Power Control 5	W/R	1	*	*	VRH[3:0] (0110)								
R20h	Power Control 6	W/R	1	*	BT[3:0] (0100)				*	*	*	*		
R21h	Power Control 7	W/R	1	*	*	FS1[1:0] (01)		*	*	FS0[1:0] (00)				
R22h	SRAM Write Control	W/R	1	SRAM Write										

HX8347-A(T)

240RGB x 320 dot, 262K color, TFT Mobile Single Chip Driver



DATA SHEET Preliminary V01

Register No.	Register	W/R	RS	Upper Code	Lower Code								Comment
				D[17:8]	D7	D6	D5	D4	D3	D2	D1	D0	
R23h	Cycle Control 1	W/R	1	*	N_DC[7:0] (1001_0101)								
R24h	Cycle Control 2	W/R	1	*	PI_DC[7:0] (1001_0101)								
R25h	Cycle Control 3	W/R	1	*	I_DC[7:0] (1111_1111)								
R26h	Display Control 1	W/R	1	*	PT[1:0] (10)		GON(1)	DTE(0)	D[1:0] (00)		*	*	
R27h	Display Control 2	W/R	1	*	*	*	*	N_BP[3:0] (4'b0010)					
R28h	Display Control 3	W/R	1	*	*	*	*	N_FP[3:0] (4'b0010)					
R29h	Display Control 4	W/R	1	*	*	*	*	PI_BP[3:0] (4'b0010)					
R2Ah	Display Control 5	W/R	1	*	*	*	*	PI_FP[3:0] (4'b0010)					
R2Bh	Power Control 11	W/R	1	*	*	PI_PRE_REFRE SH[1:0] (00)		BLANK_DIV[3:0] (0000)					
R2Ch	Display Control 6	W/R	1	*	*	*	*	I_BP[3:0] (4'b0010)					
R2Dh	Display Control 7	W/R	1	*	*	*	*	I_FP[3:0] (4'b0010)					
R2Fh	Display Control 8	W/R	1	*	Version ID (read only)								
R35h	Display Control 9				EQS[7:0] (0000_1001)								
R36h	Display Control 10				EQP[7:0] (0000_1001)								
R37h	Display Control 12	W/R	1	*	*	PTG[1:0] (00)		ISC[3:0] (0000)					
R38h	RGB interface control 1	W/R	1	*	*	*	RGB_EN(0)	DPL (0)	HSP (0)	VSP (0)	EPL (0)		
R39h	RGB interface control 1	W/R	1	*	DOTCLK_DIV[7:0] (0000_0000)								
R3Ah	Cycle Control 1	W/R	1	*	N_RTN[3:0] (0000)			*	N_NW[2:0] (001)				
R3Bh	Cycle Control 2	W/R	1	*	PI_RTN[3:0] (0000)			*	PI_NW[2:0] (001)				
R3Ch	Cycle Control 3	W/R	1	*	I_RTN[3:0] (1111)			*	I_NW[2:0] (000)				
R3Dh	Cycle Control 4	W/R	1	*	*	DIV_I[1:0] (00)		DIV_PI[1:0] (00)		DIV_N[1:0] (00)			
R3Eh	Cycle Control 5	W/R	1	*	SON[7:0] (8'b0011_1000)								
R40	Cycle Control 6	W/R	1	*	GDON[7:0] (8'b0000_0011)								
R41h	Cycle Control 7	W/R	1	*	GDOF[7:0] (8'b1111_1000)								
R42h	BGP Control	W/R	1	*	*	*	VBGP OE(0)	BGP[3:0] (1000)					
R43h	VCOM Control 1	W/R	1	*	VCOMG (1)	*	*	*	*	*	*		
R44h	VCOM Control 2	W/R	1	*	VCM[6:0] (101_1010)								
R45h	VCOM Control 3	W/R	1	*	VDV[4:0] (1_0001)								
R46h	r1 Control (1)	W/R	1	*	GSEL(0)	CP12(0)	CP11(0)	CP10(0)	*	CP02(0)	CP01(0)	CP00(0)	
R47h	r1 Control (2)	W/R	1	*	*	CN12(0)	CN11(0)	CN10(0)	*	CN02(0)	CN01(0)	CN00(0)	
R48h	r1 Control (3)	W/R	1	*	*	NP12(0)	NP11(0)	NP10(0)	*	NP02(0)	NP01(0)	NP00(0)	
R49h	r1 Control (4)	W/R	1	*	*	NP32(0)	NP31(0)	NP30(0)	*	NP22(0)	NP21(0)	NP20(0)	
R4Ah	r1 Control (5)	W/R	1	*	*	NP52(0)	NP51(0)	NP50(0)	*	NP42(0)	NP41(0)	NP40(0)	
R4Bh	r1 Control (6)	W/R	1	*	*	NN12(0)	NN11(0)	NN10(0)	*	NN02(0)	NN01(0)	NN00(0)	
R4Ch	r1 Control (7)	W/R	1	*	*	NN32(0)	NN31(0)	NN30(0)	*	NN22(0)	NN21(0)	NN20(0)	
R4Dh	r1 Control (8)	W/R	1	*	*	NN52(0)	NN51(0)	NN50(0)	*	NN42(0)	NN41(0)	NN40(0)	
R4Eh	r1 Control (9)	W/R	1	*	CGMP11 (0)	CGMP10 (0)	CGMP01 (0)	CGMP00 (0)	OP03(0)	OP02(0)	OP01(0)	OP00(0)	
R4Fh	r1 Control (10)	W/R	1	*	CGMP3 (0)	CGMP2 (0)	*	OP14(0)	OP13(0)	OP12(0)	P11(0)	OP10(0)	
R50h	r1 Control (11)	W/R	1	*	CGMN11 (0)	CGMN10 (0)	CGMN01 (0)	CGMN00 (0)	ON03(0)	ON02(0)	ON01(0)	ON00(0)	
R51h	r1 Control (12)	W/R	1	*	CGMN3 (0)	CGMN2 (0)	*	ON14(0)	ON13(0)	ON12(0)	ON11(0)	ON10(0)	
R52h	OTP Control 1				OTP_MASK[7:0] (0000_0000)								
R53h	OTP Control 2				OTP_INDEX[7:0] (1111_1111)								
R54h	OTP Control 3				OTP_LO AD_DISA BLE(0)	DCCLK DISABLE (0)	OTP_PO R(0)	OTP_P WE(0)	OTP_P TM (1)	0	VPP_SEL (0)	OTP_PR OG (0)	
R55h	Internal Use 1	W/R	1	*	*	*	*	*	VDC_SEL[2:0] (011)				
R56h	Internal Use 2	W/R	1	*	RPULSE[3:0] (0000)				SPULSE[3:0] (0100)				
R57h	Internal Use 3	W/R	1	*	*	*	*	*	*	TEST_MODE (0)	TEST_OE(0)		
R58h	Internal Use 4	W/R	1	*	PROB[7:0] (8'b0)								
R59h	Internal Use 5	W/R	1	*	PTBA[15:8] (8'b0)								
R5Ah	Internal Use 6	W/R	1	*	PTBA[7:0] (8'b0)								
R5Bh	Internal Use 7	W/R	1	*	STBA[15:8] (8'b0)								
R5Ch	Internal Use 8	W/R	1	*	STBA[7:0] (1000_0010)								

HX8347-A(T)

240RGB x 320 dot, 262K color, TFT Mobile Single Chip Driver



DATA SHEET Preliminary V01

Register No.	Register	W/R	RS	Upper Code	Lower Code								Comment
				D[17:8]	D7	D6	D5	D4	D3	D2	D1	D0	
R5Dh	Internal Use 9	W/R	1	*	*	VTESTSEL[2:0] (000)			STESTOE[1:0] (00)		GAOE (0)	GAM (0)	
R5Eh	Internal Use 10	W/R	1	*	BIST_CHKB1(0)	BIST_CHKB0(0)	BIST_ALL1(0)	BIST_ALL0(0)	BIST_V(0)	BIST_H(0)	BIST_OPT(0)	BIST_EN(0)	
R5Fh	Internal Use 11	W/R	1	*	*	ERRO_FLAG[2:0] (000)			*	*	*	*	
R60h	Internal Use 12	W/R	1	*	*	*	*	*	*	*	PULO (0)	SRAM_ADDR_MUX(0)	
R61h	Internal Use 13	W/R	1	*	*	*	*	TSA(0)	ELE(0)	TDISP_A_REA(0)	TM(0)	TSC(0)	
R62h	Internal Use 14	W/R	1	*	*	*	*	*	*	*	*	TLADD [8](0)	
R63h	Internal Use 15	W/R	1	*	TLADD[7:0] (8'b0)								
R64h	Internal Use 16	R	1	*	ID1[7:0] (8'b0)								
R65h	Internal Use 17	W/R	1	*	*	ID2[6:0] (7'b0)							
R66h	Internal Use 18	W/R	1	*	ID3[7:0] (8'b0)								
R67h	Internal Use 19	W/R	1	*	ROM_TEST_ADDR[7:0] (8'h00)/HimaxID[7:0](8'h47)								
R68h	Internal Use 20	W/R	1	*	*	*	*	*	*	ROM_TEST_ADDR[10:8] (3'b0)			
R69h	Internal Use 21	W/R	1	*	*	*	*	*	*	ROM_TEST(1)	ROM_TEST_CSB(1)	ROM_TEST_OEB(0)	
R6Ah	Internal Use 22	W/R	1	*	ECO0[7:0] (8'b0)								
R6Bh	Internal Use 23	W/R	1	*	ECO1[7:0] (8'b0)								
R70h	Internal Use 28	W/R	1	*	*	GS (0)	SS (0)	TEMO_DE(0)	TEON (0)	CSEL[2:0] (110)			
R72h	Data control				*	*	DFM[1:0] (00)		*	*	TRI [1:0] (00)		
R73h	Internal Use 31	W/R	1		SDMYP0[7:0] (8'b1111_1111)								
R74h	Internal Use 32	W/R	1		*	*	SDMYB0[4:0] (5'b1_1111)						
R75h	Internal Use 33	W/R	1		SDMYP1[7:0] (8'b1111_1111)								
R76h	Internal Use 34	W/R	1		*	*	*	SDMYB1[4:0] (5'b1_1111)					
R77h	Internal Use 35	W/R	1		SDMYP2[7:0] (8'b1111_1111)								
R78h	Internal Use 36	W/R	1		*	*	SDMYB2[4:0] (5'b1_1111)						
R79h	Internal Use 37	W/R	1		SDMYP3[7:0] (8'b1111_1111)								
R7Ah	Internal Use 38	W/R	1		*	*	SDMYB3[4:0] (5'b1_1111)						
R7Bh	Internal Use 39	W/R	1		*	*	*	SRAM_FIX_EN (0)	*	*	*	BIST_LOAD (0)	
R83h	Internal Use 47	W/R	1		*	*	*	*	*	*	SFULL (0)	*	
R84h	Internal Use 48	W/R	1		*	*	*	*	*	*	IO_OPT[1:0] (2'b10)		
R85h	Internal Use 49	R			OTP_DATA_READ[7:0]								*
R87h	Internal Use 51	W/R	1	*	*		REFB_LEN (0)	WLE_DELAY (0)	SRAM_OPT[3:0] (0000)				
R90h	Display Control 8	W/R	1	*	SAP[7:0] (0000_1010)								
R91h	Display Control 11	W/R	1	*	GEN_OFF[7:0] (0001_0100)								
R92h	CPCRC	W/R	1	*	CPCRC[7:0](8'h00)								
R93h	OSC Control 3	W/R	1	*	*	*	*	RADJ[3:0] (1001)					
R93h	SAP Idle mode	W/R	1	*	SAP_I[7:0](0000_1010)								
R93h	DCCLK SYNC TO CL1	W/R	1	*	*	*	*	*	*	*	*	DCCLK_SYNC (0)	

6.2 Index Register

R/W	RS	RB15	RB14	RB13	RB12	RB11	RB10	RB9	RB8	RB7	RB6	RB5	RB4	RB3	RB2	RB1	RB0
W	0	*	*	*	*	*	*	*	*	ID7	ID6	ID5	ID4	ID3	ID2	ID1	ID0

Figure 6. 1 Index Register

Index register (IR) specifies Index of the register from R00h to RFFh. It sets the register number (ID7-0) in the range from 000000b to 1111111b in binary form.

6.3 Display Mode Control Register (R01h)

R/W	RS	RB15	RB14	RB13	RB12	RB11	RB10	RB9	RB8	RB7	RB6	RB5	RB4	RB3	RB2	RB1	RB0
W	1	*	*	*	*	*	*	*	*	*	*	*	*	IDMON (0)	INVON (1)	NORON (1)	PTLON (0)
R	1	*	*	*	*	*	*	*	*	*	*	*	*	IDMON (0)	INVON (1)	NORON (1)	PTLON (0)

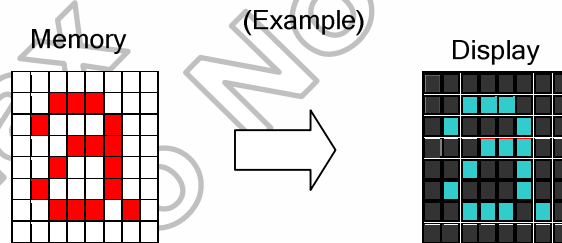
Figure 6. 2 Display Mode Control Register (R01h)

IDMON:

This command is used for turning on/off IDLE (8-color display) mode by setting IDMON=1/0.

INVON:

This command is used to enter into display inversion mode by setting INVON=1. Vice versa, it recovers from display inversion mode by setting INVON=0. This command makes no change of contents of frame memory. Every bit is inverted from the frame memory to the display. This command does not change any other status.



NORON:

This command is used for turning on/off NORMAL mode by setting NORON=1/0.

PTLON:

This command is used for turning on/off PARTIAL mode by setting PTLON=1/0.

6.4 Column Address Start Register (R02~03h)

R/W	RS	RB15	RB14	RB13	RB12	RB11	RB10	RB9	RB8	RB7	RB6	RB5	RB4	RB3	RB2	RB1	RB0
W	1	*	*	*	*	*	*	*	*	SC 15	SC 14	SC 13	SC 12	SC 11	SC 10	SC9	SC8
R	1	*	*	*	*	*	*	*	*	SC 15	SC 14	SC 13	SC 12	SC 11	SC 10	SC9	SC8

Figure 6. 3 Column Address Start Register Upper Byte (R02h)

R/W	RS	RB15	RB14	RB13	RB12	RB11	RB10	RB9	RB8	RB7	RB6	RB5	RB4	RB3	RB2	RB1	RB0
W	1	*	*	*	*	*	*	*	*	SC7	SC6	SC5	SC4	SC3	SC2	SC1	SC0
R	1	*	*	*	*	*	*	*	*	SC7	SC6	SC5	SC4	SC3	SC2	SC1	SC0

Figure 6. 4 Column Address Start Register Low Byte (R03h)

6.5 Column Address End Register (R04~05h)

R/W	RS	RB15	RB14	RB13	RB12	RB11	RB10	RB9	RB8	RB7	RB6	RB5	RB4	RB3	RB2	RB1	RB0
W	1	*	*	*	*	*	*	*	*	EC 15	EC 14	EC 13	EC 12	EC 11	EC 10	EC9	EC8
R	1	*	*	*	*	*	*	*	*	EC 15	EC 14	EC 13	EC 12	EC 11	EC 10	EC9	EC8

Figure 6. 5 Column Address End Register Upper Byte (R04h)

R/W	RS	RB15	RB14	RB13	RB12	RB11	RB10	RB9	RB8	RB7	RB6	RB5	RB4	RB3	RB2	RB1	RB0
W	1	*	*	*	*	*	*	*	*	EC7	EC6	EC5	EC4	EC3	EC2	EC1	EC0
R	1	*	*	*	*	*	*	*	*	EC7	EC6	EC5	EC4	EC3	EC2	EC1	EC0

Figure 6. 6 Column Address End Register Low Byte (R05h)

6.6 Row Address Start Register (R06~07h)

R/W	RS	RB15	RB14	RB13	RB12	RB11	RB10	RB9	RB8	RB7	RB6	RB5	RB4	RB3	RB2	RB1	RB0
W	1	*	*	*	*	*	*	*	*	SP 15	SP 14	SP 13	SP 12	SP 11	SP 10	SP9	SP8
R	1	*	*	*	*	*	*	*	*	SP 15	SP 14	SP 13	SP 12	SP 11	SP 10	SP9	SP8

Figure 6. 7 Row Address Start Register Upper Byte (R06h)

R/W	RS	RB15	RB14	RB13	RB12	RB11	RB10	RB9	RB8	RB7	RB6	RB5	RB4	RB3	RB2	RB1	RB0
W	1	*	*	*	*	*	*	*	*	SP7	SP6	SP5	SP4	SP3	SP2	SP1	SP0
R	1	*	*	*	*	*	*	*	*	SP7	SP6	SP5	SP4	SP3	SP2	SP1	SP0

Figure 6. 8 Row Address Start Register Low Byte (R07h)

6.7 Row Address End Register (R08~09h)

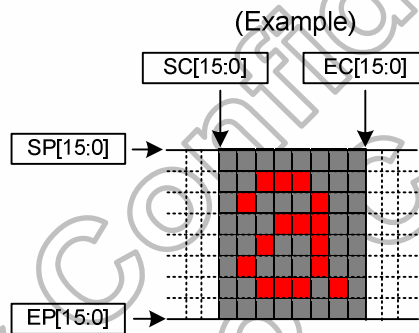
RW	RS	RB15	RB14	RB13	RB12	RB11	RB10	RB9	RB8	RB7	RB6	RB5	RB4	RB3	RB2	RB1	RB0
W	1	*	*	*	*	*	*	*	*	EP 15	EP 14	EP 13	EP 12	EP 11	EP 10	EP9	EP8
R	1	*	*	*	*	*	*	*	*	EP 15	EP 14	EP 13	EP 12	EP 11	EP 10	EP9	EP8

Figure 6. 9 Row Address End Register Upper Byte (R08h)

RW	RS	RB15	RB14	RB13	RB12	RB11	RB10	RB9	RB8	RB7	RB6	RB5	RB4	RB3	RB2	RB1	RB0
W	1	*	*	*	*	*	*	*	*	EP7	EP6	EP5	EP4	EP3	EP2	EP1	EP0
R	1	*	*	*	*	*	*	*	*	EP7	EP6	EP5	EP4	EP3	EP2	EP1	EP0

Figure 6. 10 Row Address End Register Low Byte (R09h)

These commands (R02h~R09h) are used to define area of frame memory where MCU can access. These commands make no change on the other driver status. The values of SC[15:0], EC[15:0], SP[15:0] and EP[15:0] are referred when RAMWR command comes. Each value represents one Page line in the Frame Memory.



6.8 Partial Area Start Row Register (R0A~0Bh)

RW	RS	RB15	RB14	RB13	RB12	RB11	RB10	RB9	RB8	RB7	RB6	RB5	RB4	RB3	RB2	RB1	RB0
W	1	*	*	*	*	*	*	*	*	PSL 15	PSL 14	PSL 13	PSL 12	PSL 11	PSL 10	PSL 9	PSL 8
R	1	*	*	*	*	*	*	*	*	PSL 15	PSL 14	PSL 13	PSL 12	PSL 11	PSL 10	PSL 9	PSL 8

Figure 6. 11 Partial Area Start Row Register Upper Byte (R0Ah)

RW	RS	RB15	RB14	RB13	RB12	RB11	RB10	RB9	RB8	RB7	RB6	RB5	RB4	RB3	RB2	RB1	RB0
W	1	*	*	*	*	*	*	*	*	PSL 7	PSL 6	PSL 5	PSL 4	PSL 3	PSL 2	PSL 1	PSL 0
R	1	*	*	*	*	*	*	*	*	PSL 7	PSL 6	PSL 5	PSL 4	PSL 3	PSL 2	PSL 1	PSL 0

Figure 6. 12 Partial Area Start Row Register Low Byte (R0Bh)

6.9 Partial Area End Row Register (R0C~0Dh)

R/W	RS	RB15	RB14	RB13	RB12	RB11	RB10	RB9	RB8	RB7	RB6	RB5	RB4	RB3	RB2	RB1	RB0
W	1	*	*	*	*	*	*	*	*	PEL 15	PEL 14	PEL 13	PEL 12	PEL 11	PEL 10	PEL 9	PEL 8
R	1	*	*	*	*	*	*	*	*	PEL 15	PEL 14	PEL 13	PEL 12	PEL 11	PEL 10	PEL 9	PEL 8

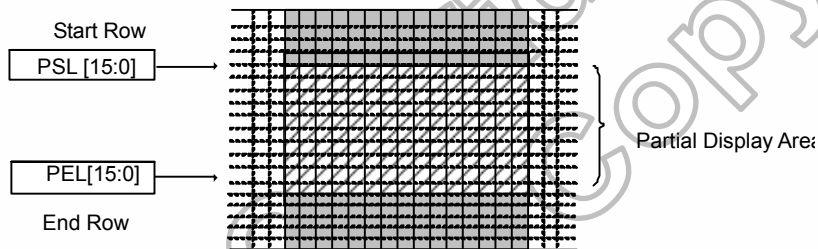
Figure 6. 13 Partial Area End Row Register Upper Byte (R0Ch)

R/W	RS	RB15	RB14	RB13	RB12	RB11	RB10	RB9	RB8	RB7	RB6	RB5	RB4	RB3	RB2	RB1	RB0
W	1	*	*	*	*	*	*	*	*	PEL 7	PEL 6	PEL 5	PEL 4	PEL 3	PEL 2	PEL 1	PEL 0
R	1	*	*	*	*	*	*	*	*	PEL 7	PEL 6	PEL 5	PEL 4	PEL 3	PEL 2	PEL 1	PEL 0

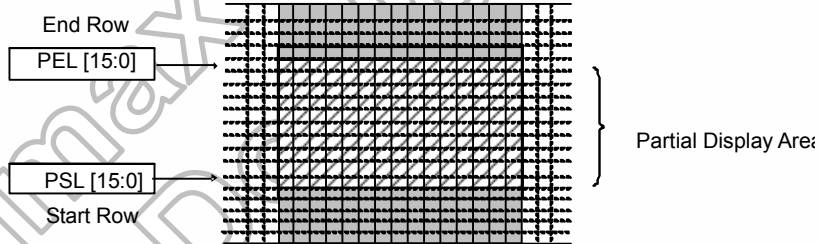
Figure 6. 14 Partial Area End Row Register Low Byte (R0Dh)

These commands (R0Ah~0Dh) define the partial mode's display area. There are 4 parameters associated with this command, PSL[15:0], PEL[15:0], as illustrated in the figures below. PSL and PEL refer to the Frame Memory Line Pointer.

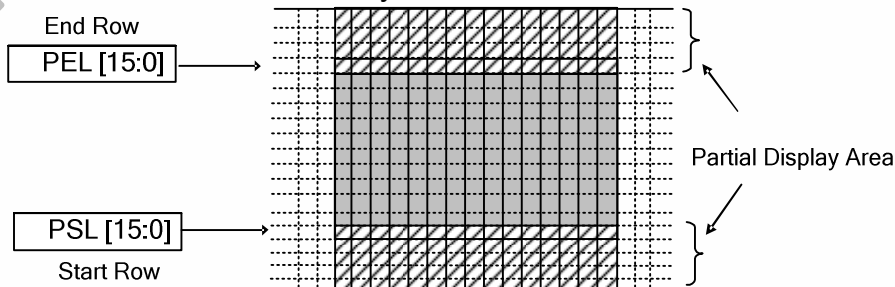
If End Row > Start Row when Memory Access Control ML=0



If End Row > Start Row when Memory Access Control ML=1



If End Row < Start Row when Memory Access Control ML=0



If End Row = Start Row then the Partial Area will be one row deep.

6.10 Vertical Scroll Top Fixed Area Register (R0E~0Fh)

R/W	RS	RB15	RB14	RB13	RB12	RB11	RB10	RB9	RB8	RB7	RB6	RB5	RB4	RB3	RB2	RB1	RB0
W	1	*	*	*	*	*	*	*	*	TFA 15	TFA 14	TFA 13	TFA 12	TFA 11	TFA 10	TFA 9	TFA 8
R	1	*	*	*	*	*	*	*	*	TFA 15	TFA 14	TFA 13	TFA 12	TFA 11	TFA 10	TFA 9	TFA 8

Figure 6. 15 Vertical Scroll Top Fixed Area Register Upper Byte (R0Eh)

R/W	RS	RB15	RB14	RB13	RB12	RB11	RB10	RB9	RB8	RB7	RB6	RB5	RB4	RB3	RB2	RB1	RB0
W	1	*	*	*	*	*	*	*	*	TFA 7	TFA 6	TFA 5	TFA 4	TFA 3	TFA 2	TFA 1	TFA 0
R	1	*	*	*	*	*	*	*	*	TFA 7	TFA 6	TFA 5	TFA 4	TFA 3	TFA 2	TFA 1	TFA 0

Figure 6. 16 Vertical Scroll Top Fixed Area Register Low Byte (R0Fh)

6.11 Vertical Scroll Height Area Register (R10~11h)

R/W	RS	RB15	RB14	RB13	RB12	RB11	RB10	RB9	RB8	RB7	RB6	RB5	RB4	RB3	RB2	RB1	RB0
W	1	*	*	*	*	*	*	*	*	VSA 15	VSA 14	VSA 13	VSA 12	VSA 11	VSA 10	VSA 9	VSA 8
R	1	*	*	*	*	*	*	*	*	VSA 15	VSA 14	VSA 13	VSA 12	VSA 11	VSA 10	VSA 9	VSA 8

Figure 6. 17 Vertical Scroll Height Area Register Upper Byte (R10h)

R/W	RS	RB15	RB14	RB13	RB12	RB11	RB10	RB9	RB8	RB7	RB6	RB5	RB4	RB3	RB2	RB1	RB0
W	1	*	*	*	*	*	*	*	*	VSA 7	VSA 6	VSA 5	VSA 4	VSA 3	VSA 2	VSA 1	VSA 0
R	1	*	*	*	*	*	*	*	*	VSA 7	VSA 6	VSA 5	VSA 4	VSA 3	VSA 2	VSA 1	VSA 0

Figure 6. 18 Vertical Scroll Height Area Register Low Byte (R11h)

6.12 Vertical Scroll Button Fixed Area Register (R12~13h)

R/W	RS	RB15	RB14	RB13	RB12	RB11	RB10	RB9	RB8	RB7	RB6	RB5	RB4	RB3	RB2	RB1	RB0
W	1	*	*	*	*	*	*	*	*	BFA 15	BFA 14	BFA 13	BFA 12	BFA 11	BFA 10	BFA 9	BFA 8
R	1	*	*	*	*	*	*	*	*	BFA 15	BFA 14	BFA 13	BFA 12	BFA 11	BFA 10	BFA 9	BFA 8

Figure 6. 19 Vertical Scroll Button Fixed Area Register Upper Byte (R12h)

R/W	RS	RB15	RB14	RB13	RB12	RB11	RB10	RB9	RB8	RB7	RB6	RB5	RB4	RB3	RB2	RB1	RB0
W	1	*	*	*	*	*	*	*	*	BFA 7	BFA 6	BFA 5	BFA 4	BFA 3	BFA 2	BFA 1	BFA 0
R	1	*	*	*	*	*	*	*	*	BFA 7	BFA 6	BFA 5	BFA 4	BFA 3	BFA 2	BFA 1	BFA 0

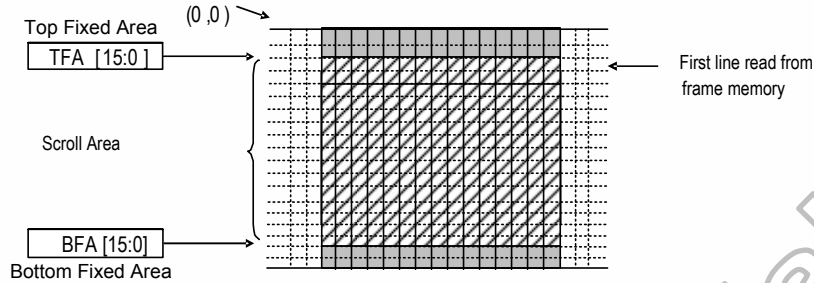
Figure 6. 20 Vertical Scroll Button Fixed Area Register Low Byte (R13h)

These commands (R0E~0Fh, R10~11h, R12~13h) define the Vertical Scrolling Area of the display. When Memory Access Control ML=0, **TFA[15..0]** describes the Top Fixed Area (in No. of lines from Top of the Frame Memory and Display).

VSA[15..0] describes the height of the Vertical Scrolling Area (in No. of lines of the Frame Memory [not the display] from the Vertical Scrolling Start Address). The first line read from Frame Memory appears immediately after the bottom most line of the Top Fixed Area.

BFA[15..0] describes the Bottom Fixed Area (in No. of lines from Bottom of the Frame Memory and Display).

TFA, VSA and BFA refer to the Frame Memory Line Pointer.

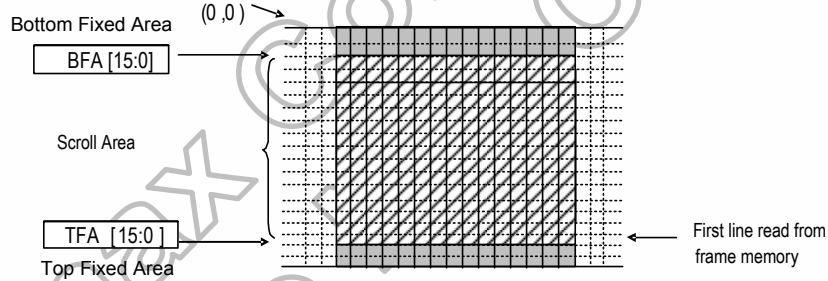


When Memory Access Control ML=1,

TFA[15..0] describes the Top Fixed Area (in No. of lines from Bottom of the Frame Memory and Display).

VSA[15..0] describes the height of the Vertical Scrolling Area (in No. of lines of the Frame Memory [not the display] from the Vertical Scrolling Start Address). The first line read from Frame Memory appears immediately after the top most line of the Top Fixed Area.

BFA[15..0] describes the Bottom Fixed Area (in No. of lines from Top of the Frame Memory and Display).



6.13 Vertical Scroll Start Address Register (R14~15h)

R/W	RS	RB15	RB14	RB13	RB12	RB11	RB10	RB9	RB8	RB7	RB6	RB5	RB4	RB3	RB2	RB1	RB0
W	1	*	*	*	*	*	*	*	*	VSP 15	VSP 14	VSP 13	VSP 12	VSP 11	VSP 10	VSP 9	VSP 8
R	1	*	*	*	*	*	*	*	*	VSP 15	VSP 14	VSP 13	VSP 12	VSP 11	VSP 10	VSP 9	VSP 8

Figure 6. 21 Vertical Scroll Start Address Register Upper Byte (R14h)

R/W	RS	RB15	RB14	RB13	RB12	RB11	RB10	RB9	RB8	RB7	RB6	RB5	RB4	RB3	RB2	RB1	RB0
W	1	*	*	*	*	*	*	*	*	VSP 7	VSP 6	VSP 5	VSP 4	VSP 3	VSP 2	VSP 1	VSP 0
R	1	*	*	*	*	*	*	*	*	VSP 7	VSP 6	VSP 5	VSP 4	VSP 3	VSP 2	VSP 1	VSP 0

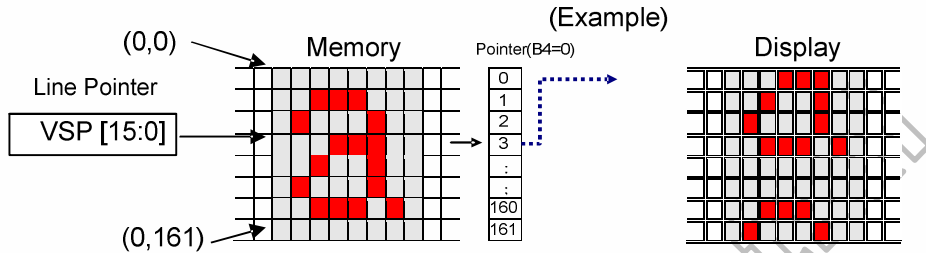
Figure 6. 22 Vertical Scroll Start Address Register Low Byte (R15h)

This command is used together with Vertical Scrolling Definition (18h). These two commands describe the scrolling area and the scrolling mode.

The Vertical Scrolling Start Address command has one parameter which describes the address of the line in the Frame Memory that will be written as the first line after the last line of the Top Fixed Area on the display as illustrated below: When Memory Access Control B4=0

Example:

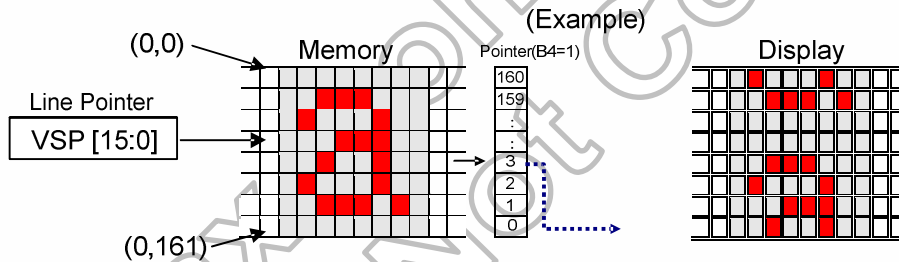
When Top Fixed Area = Bottom Fixed Area = 00, Vertical Scrolling Area = 162 and VSP=3



When Memory Access Control B4=1

Example:

When Top Fixed Area = Bottom Fixed Area = 00, Vertical Scrolling Area = 162 and VSP=3



When new Pointer position and Picture Data are sent, the result on the display will happen at the next Panel Scan to avoid tearing effect.

VSP refers to the Frame Memory line Pointer.

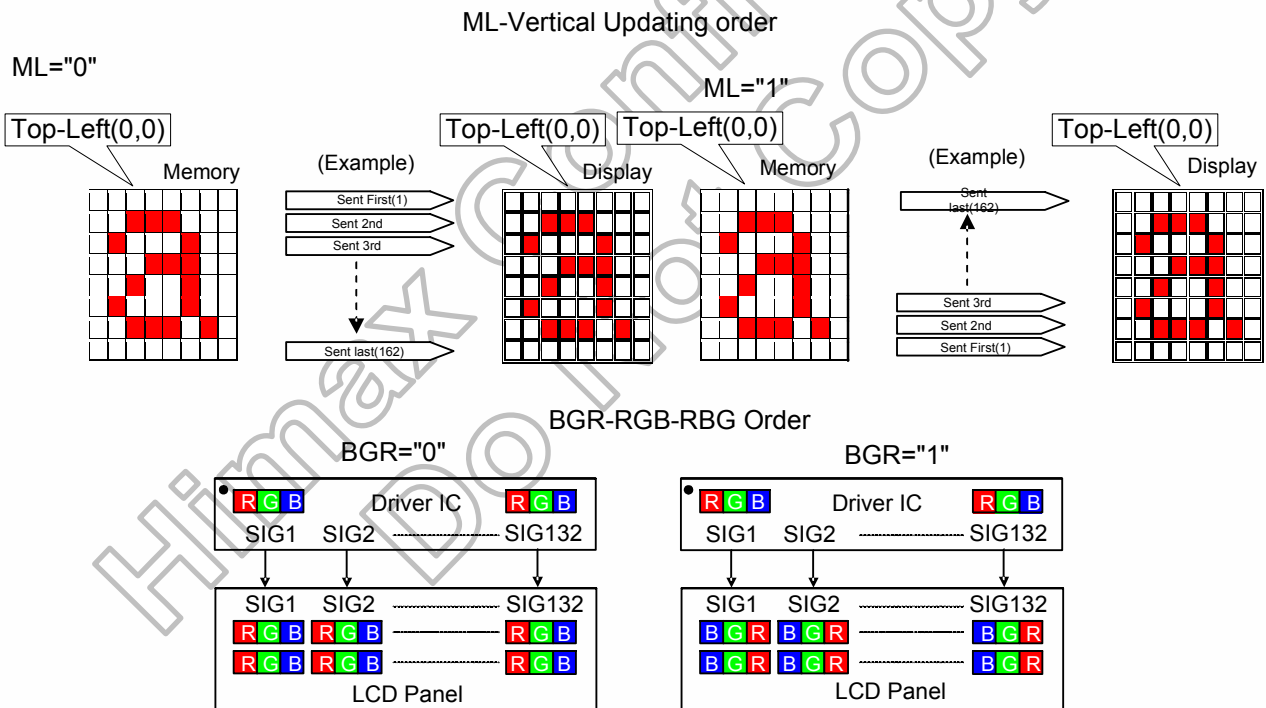
6.14 Memory Access Control Register (R16h)

R/W	RS	RB15	RB14	RB13	RB12	RB11	RB10	RB9	RB8	RB7	RB6	RB5	RB4	RB3	RB2	RB1	RB0
W	1	*	*	*	*	*	*	*	*	MY	MX	MV	ML	BGR	*	*	*
R	1	*	*	*	*	*	*	*	*	MY	MX	MV	ML	BGR	*	*	*

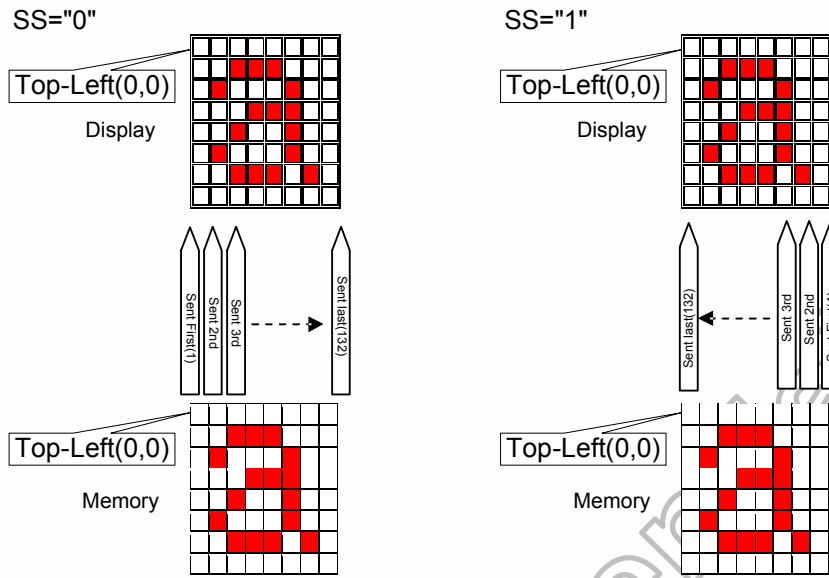
Figure 6. 23 Memory Access Control Register (R16h)

This command defines read/write scanning direction of frame memory. This command makes no change on the other driver status.

Bit	Name	Description
MY	PAGE ADDRESS ORDER	These 3 bits controls MCU to memory write/read direction. "MCU to memory write/read direction"
MX	COLUMN ADDRESS ORDER	
MV	PAGE/COLUMN SELECTION	
ML	Vertical ORDER	LCD vertical refresh direction control
BGR	RGB-BGR ORDER	Color selector switch control (0=RGB color filter panel, 1=BGR color filter panel)



SS-Horizontal Updating order



Note: Top-Left (0,0) means a physical memory location.

Himax Confidential
Do Not Copy

6.15 Gate scan Control Register (R18h)

R/W	RS	RB15	RB14	RB13	RB12	RB11	RB10	RB9	RB8	RB7	RB6	RB5	RB4	RB3	RB2	RB1	RB0
W	1	*	*	*	*	*	*	*	*	*	*	*	*	*	*	SCROL_L_ON	SM (0)
R	1	*	*	*	*	*	*	*	*	*	*	*	*	*	*	SCROL_L_ON	SM (0)

Figure 6. 24 Gate Scan Control Register (R18h)

SCROLL_ON: Vertical Scrolling Function enable, High active.

SM: Specify the scan order of gate driver. The scan order according to the mounting method of gate driver output pin

6.16 OSC Control 1 Register (R19h)

R/W	RS	RB15	RB14	RB13	RB12	RB11	RB10	RB9	RB8	RB7	RB6	RB5	RB4	RB3	RB2	RB1	RB0
W	1	*	*	*	*	*	*	*	*	CADJ3	CADJ2	CADJ1	CADJ0	CUADJ2	CUADJ1	CUADJ0	OSC_EN
R	1	*	*	*	*	*	*	*	*	CADJ3	CADJ2	CADJ1	CADJ0	CUADJ2	CUADJ1	CUADJ0	OSC_EN

Figure 6. 25 OSC Control 1 Register (R19h)

This command is used to set internal oscillator related setting

OSC_EN: Enable internal oscillator, High active

CADJ[3:0], CUADJ[2:0]: Internal oscillator frequency adjust, default is 5.58MHz

CUADJ2	CUADJ1	CUADJ0	Current
0	0	0	85%
0	0	1	90%
0	1	0	95%
0	1	1	100%
1	0	0	105%
1	0	1	110%
1	1	0	115%
1	1	1	120%

CADJ3	CADJ2	CADJ1	CADJ0	CAP
0	0	0	0	116%
0	0	0	1	114%
0	0	1	0	112%
0	0	1	1	110%
0	1	0	0	108%
0	1	0	1	106%
0	1	1	0	104%
0	1	1	1	102%
1	0	0	0	100%
1	0	0	1	98%
1	0	1	0	96%
1	0	1	1	94%
1	1	0	0	92%
1	1	0	1	90%
1	1	1	0	88%
1	1	1	1	86%

6.17 OSC Control Register 2 (R1Ah)

R/W	RS	RB15	RB14	RB13	RB12	RB11	RB10	RB9	RB8	RB7	RB6	RB5	RB4	RB3	RB2	RB1	RB0
W	1	*	*	*	*	*	*	*	*	*	*	*	*	*	*	*	OSC_TEST
R	1	*	*	*	*	*	*	*	*	*	*	*	*	*	*	*	OSC_TEST

Figure 6. 26 OSC Control Register 2 (R1Ah)

OSC_TEST: If OSC is fed from OSC pin, please set OSC_TEST to 1

6.18 Power Control 1 Register (R1Bh)

R/W	RS	RB15	RB14	RB13	RB12	RB11	RB10	RB9	RB8	RB7	RB6	RB5	RB4	RB3	RB2	RB1	RB0
W	1	*	*	*	*	*	*	*	*	GAS ENB	*	*	PON	DK	XDK	VLCD_TRI	STB
R	1	*	*	*	*	*	*	*	*	GAS ENB	*	*	PON	DK	XDK	VLCD_TRI	STB

Figure 6. 27 Power Control 1 Register (R1Bh)

GASENB: This stands for abnormal power-off supervisal function when the power is off. It's for monitoring power status by NISD pad when GASENB is set to 0.

PON: Specify on/off control of step-up circuit 2 for VCL, VGL voltage generation. For detail, see the Power Supply Setting Sequence.

PON	Operation of step-up circuit 2
0	OFF
1	ON

DK: Specify on/off control of step-up circuit 1 for DDVDH voltage generation. For detail, see the Power Supply Setting Sequence.

DK	Operation of step-up circuit 1
0	ON
1	OFF

STB: When STB = "1", the HX8347-A into the standby mode, where all display operation stops, suspend all the internal operations including the internal R-C oscillator. During the standby mode, only the following process can be executed. For details, please refer to STB mode flow.

- a. Start the oscillation
- b. Exit the Standby mode (STB = "0") ,

In the standby mode, the GRAM data and register content are retained.

XDK, VLCD_TRI: Specify the ratio of step-up circuit for DDVDH voltage generation.

VLCD_TRI	XDK	Step up circuit 1	Capacitor connection pins
0	0	2 x VCI	C11A, C11B
0	1	2 x VCI	C11A, C11B, CX11A, CX11B
1	0	3 x VCI	C11A, C11B, CX11A, CX11B
1	1	Setting inhabited	Setting inhabited

6.19 Power Control 2 Register (R1Ch)

RW	RS	RB15	RB14	RB13	RB12	RB11	RB10	RB9	RB8	RB7	RB6	RB5	RB4	RB3	RB2	RB1	RB0
W	1	*	*	*	*	*	*	*	*	*	*	*	*	*	AP2	AP1	AP0
R	1	*	*	*	*	*	*	*	*	*	*	*	*	*	AP2	AP1	AP0

Figure 6. 28 Power Control 3 Register (R1Ch)

AP(2-0)

Adjust the amount of current driving for the operational amplifier in the power supply circuit. When the amount of fixed current is increased, the LCD driving capacity and the display quality are high, but the current consumption is increased. This is a tradeoff, Adjust the fixed current by considering both the display quality and the current consumption, AP(2-0) can be set as "000" when display is off, the current consumption can be reduced by stopping the operations of operational amplifier and step-up circuit.

AP2	AP1	AP0	Constant Current of Operational Amplifier
0	0	0	Power Circuit Off
0	0	1	Ignore
0	1	0	Ignore
0	1	1	Ignore
1	0	0	1
1	0	1	1.25
1	1	0	1.5
1	1	1	Ignore

6.20 Power Control 3 Register (R1Dh)

R/W	RS	RB 15	RB 14	RB 13	RB 12	RB 11	RB 10	RB 9	RB 8	RB 7	RB 6	RB 5	RB 4	RB 3	RB 2	RB 1	RB 0
W	1	*	*	*	*	*	*	*	*	*	*	*	*	*	VC1 2	VC1 1	VC10
R	1	*	*	*	*	*	*	*	*	*	*	*	*	*	VC1 2	VC1 1	VC1 0

Figure 6. 29 Power Control 3 Register (R1Dh)

VC1(2-0):

Specify the ratio of VBGP for DDVDH voltage adjusting.

VC12	VC11	VC10	DDVDH
0	0	0	VBGP * 5.47
0	0	1	VBGP * 5.13
0	1	0	VBGP * 4.82
0	1	1	VBGP * 4.56
1	0	0	VBGP * 4.32
1	0	1	VBGP * 4.10
1	1	0	VBGP * 3.91
1	1	1	VBGP * 3.73

Note: VBGP is the internal reference voltage equals to 1.25V

6.21 Power Control 4 Register (R1Eh)

R/W	RS	RB 15	RB 14	RB 13	RB 12	RB 11	RB 10	RB 9	RB 8	RB 7	RB 6	RB 5	RB 4	RB 3	RB 2	RB 1	RB 0
W	1	*	*	*	*	*	*	*	*	*	*	*	*	*	VC3 2	VC3 1	VC30
R	1	*	*	*	*	*	*	*	*	*	*	*	*	*	VC3 2	VC3 1	VC3 0

Figure 6. 30 VREG3 Control Register (R1Eh)

VC3(2-0):

Specify the reference voltage VREG3 (the factor of VCI) for VGL voltage adjusting

VC32	VC31	VC30	VREG3
0	0	0	DDVDH
0	0	1	2 X VCI
0	1	0	1.92 X VCI
0	1	1	1.84 X VCI
1	0	0	1.76 X VCI
1	0	1	1.68 X VCI
1	1	0	1.60 X VCI
1	1	1	HZ

6.22 Power Control 5 Register (R1Fh)

RW	RS	RB15	RB14	RB13	RB12	RB11	RB10	RB9	RB8	RB7	RB6	RB5	RB4	RB3	RB2	RB1	RB0
W	1	*	*	*	*	*	*	*	*	*	*	*	*	VRH 3	VRH 2	VRH 1	VRH 0
R	1	*	*	*	*	*	*	*	*	*	*	*	*	VRH 3	VRH 2	VRH 1	VRH 0

Figure 6. 31 Power Control 5 Register (R1Fh)

VRH(3-0):

Set the magnification of amplification for VREG1 voltage for gamma voltage setting. It allows magnify the amplification of VBGP from 2.8 to 4.8 times.

VRH3	VRH2	VRH1	VRH0	VREG1
0	0	0	0	VBGP x 2.8
0	0	0	1	VBGP x 3.0
0	0	1	0	VBGP x 3.2
0	0	1	1	VBGP x 3.3
0	1	0	0	VBGP x 3.4
0	1	0	1	VBGP x 3.5
•	•	•	•	•
•	•	•	•	•
1	0	0	1	VBGP x 3.9
1	0	1	0	VBGP x 4.0
1	0	1	1	VBGP x 4.2
1	1	0	0	VBGP x 4.4
1	1	0	1	VBGP x 4.6
1	1	1	0	VBGP x 4.8
1	1	1	1	Inhibited

Note: VBGP is the internal reference voltage equals to 1.25V

6.23 Power Control 6 Register (R20h)

RW	RS	RB15	RB14	RB13	RB12	RB11	RB10	RB9	RB8	RB7	RB6	RB5	RB4	RB3	RB2	RB1	RB0
W	1	*	*	*	*	*	*	*	*	BT3	BT2	BT1	BT0	*	*	*	*
R	1	*	*	*	*	*	*	*	*	BT3	BT2	BT1	BT0	*	*	*	*

Figure 6. 32 Power Control 6 Register (R20h)

BT(3-0):

Switch the output factor of step-up circuit 2 for VGH and VGL voltage generation. The LCD drive voltage level can be selected according to the characteristic of liquid crystal which panel used. Lower amplification of the step-up circuit consumes less current and then the power consumption can be reduced.

BT3	BT2	BT1	BT0	VCL	VGH	VGL		Capacitor Connection Pins
						VCOMG=1	VCOMG=0	
0	0	0	0	-1 x VCI	VREG3X3 [x 6]	-(VREG3X2)+VCL [x -5]	-(VREG3X2) [x -4]	VCL, VGH, VGL C12 A/B, C21 A/B, C21A/B
0	0	0	1	-1 x VCI	VREG3X3 [x 6]	-(VREG3X2) [x -4]	-(VREG3X2) [x -4]	VCL, VGH, VGL C12 A/B, C21 A/B, C21A/B

0	0	1	0	-1 x VCI	VREG3X3 [x 6]	-(VREG3x2)+VCI [x -3]	-(VREG3x2)+VCI [x -3]	VCL, VGH, VGL C12 A/B, C21 A/B, C21A/B
0	0	1	1	-1 x VCI	VREG3X2+VCI [x 5]	-(VREG3X2)+VCL [x -5]	-(VREG3X2) [x -4]	VCL, VGH, VGL C12 A/B, C21 A/B, C21A/B
0	1	0	0	-1 x VCI	VREG3X2+VCI [x 5]	-(VREG3X2) [x -4]	-(VREG3X2) [x -4]	VCL, VGH, VGL C12 A/B, C21 A/B, C21A/B
0	1	0	1	-1 x VCI	VREG3X2+VCI [x 5]	-(VREG3x2)+VCI [x -3]	-(VREG3x2)+VCI [x -3]	VCL, VGH, VGL C12 A/B, C21 A/B, C21A/B
0	1	1	0	-1 x VCI	VREG3X2 [x 4]	-(VREG3X2) [x -4]	-(VREG3X2) [x -4]	VCL, VGH, VGL C12 A/B, C21 A/B, C21A/B
Other setting				Inhibited				

Note: 1. The conditions of VLCD ≤ 6V, VCL ≤ -3.3V, VGH-VGL ≤ 32V must be satisfied.
2. If VCOMG=0, VCL output is float.

6.24 Power Control 7 Register (R21h)

RW	RS	RB15	RB14	RB13	RB12	RB11	RB10	RB9	RB8	RB7	RB6	RB5	RB4	RB3	RB2	RB1	RB0
W	1	*	*	*	*	*	*	*	*	*		FS11	FS10	*		FS01	FS00
R	1	*	*	*	*	*	*	*	*	*		FS11	FS10	*		FS01	FS00

Figure 6. 33 Power Control 7 Register (R21h)

FS0(1-0):

Set the operating frequency of the step-up circuit 1 and extra step-up circuit 1 for DDVDH voltage generation. When using the higher frequency, the driving ability of the step-up circuit and the display quality are high, but the current consumption is increased. The tradeoff is between the display quality and the current consumption.

DCDCf = DC / DC converter operating frequency

FS01	FS0	Operation Frequency of Step-up Circuit 1 and Extra Step-up circuit 1
0	0	DCDCf / 1
0	1	DCDCf / 2
1	0	DCDCf / 4
1	1	DCDCf / 8

FS1(1-0):

Set the operating frequency of the step-up circuit 2 and 3 for VGH, VGL, VCL voltage generation. When using the higher frequency, the driving ability of the step-up circuit and the display quality are high, but the current consumption is increased. The tradeoff is between the display quality and the current consumption.

DCDCf = DC / DC converter operating frequency

FS11	FS10	Operation Frequency of Step-up Circuit 2 , Step-up Circuit 3
0	0	DCDCf / 1
0	1	DCDCf / 2
1	0	DCDCf / 4
1	1	DCDCf / 8

Note: Ensure that the operation frequency of step-up circuit 1 ≥ step-up circuit 2

6.25 Read Data Register (R22h)

R/W	RS	RB17	RB16	RB15	RB14	RB13	RB12	RB11	RB10	RB9	RB8	RB7	RB6	RB5	RB4	RB3	RB2	RB1	RB0
R	1	RD17	RD16	RD15	RD14	RD13	RD12	RD11	RD10	RD9	RD8	RD7	RD6	RD5	RD4	RD3	RD2	RD1	RD0

Figure 6. 34 Read Data Register (R22h)

RD17-0: Read 18-bit data from GRAM through the read data register (RDR). When the data is read by microcomputer, the first-word read immediately after the GRAM address setting is latched from the GRAM to the internal read-data latch. The data on the data bus (D17–0) becomes invalid and the second-word read is normal.

Write Data Register (R22h)

R/W	RS	RB15	RB14	RB13	RB12	RB11	RB10	RB9	RB8	RB7	RB6	RB5	RB4	RB3	RB2	RB1	RB0
W	1	WD15	WD14	WD13	WD12	WD11	WD10	WD9	WD8	WD7	WD6	WD5	WD4	WD3	WD2	WD1	WD0

Figure 6. 35 Write Data Register (R22h)

WD[15:0] : Transforms the data into 16-bit bus before written to GRAM through the write data register (WDR). After a write operation is issued, the address is automatically updated according to the AM and I/D bits.

Himax Confidential
Do Not Copy

6.26 Cycle Control 1~3 Register (R23~25h)

R/W	RS	RB15	RB14	RB13	RB12	RB11	RB10	RB9	RB8	RB7	RB6	RB5	RB4	RB3	RB2	RB1	RB0
W	1	*	*	*	*	*	*	*	*	N_DC7	N_DC6	N_DC5	N_DC4	N_DC3	N_DC2	N_DC1	N_DC0
R	1	*	*	*	*	*	*	*	*	N_DC7	N_DC6	N_DC5	N_DC4	N_DC3	N_DC2	N_DC1	N_DC0

Figure 6. 36 Cycle Control 1 Register (R23h)

R/W	RS	RB15	RB14	RB13	RB12	RB11	RB10	RB9	RB8	RB7	RB6	RB5	RB4	RB3	RB2	RB1	RB0
W	1	*	*	*	*	*	*	*	*	PI_DC7	PI_DC6	PI_DC5	PI_DC4	PI_DC3	PI_DC2	PI_DC1	PI_DC0
R	1	*	*	*	*	*	*	*	*	PI_DC7	PI_DC6	PI_DC5	PI_DC4	PI_DC3	PI_DC2	PI_DC1	PI_DC0

Figure 6. 37 Cycle Control 2 Register (R24h)

R/W	RS	RB15	RB14	RB13	RB12	RB11	RB10	RB9	RB8	RB7	RB6	RB5	RB4	RB3	RB2	RB1	RB0
W	1	*	*	*	*	*	*	*	*	I_DC7	I_DC6	I_DC5	I_DC4	I_DC3	I_DC2	I_DC1	I_DC0
R	1	*	*	*	*	*	*	*	*	I_DC7	I_DC6	I_DC5	I_DC4	I_DC3	I_DC2	I_DC1	I_DC0

Figure 6. 38 Cycle Control 3 Register (R25h)

N_DC: Normal mode
 PI_DC: Partial mode + Idle mode
 I_DC: Idle mode

DC(7-0): specify the clock frequency for DC/DC converter operating.

fosc = R-C oscillation frequency

DC7	DC6	DC5	DC4	DC3	DC2	DC1	DC0	DCDCf
0	0	0	0	0	0	0	0	Inhibited
0	0	0	0	0	0	0	1	fosc
0	0	0	0	0	0	1	0	fosc/ 2
⋮								⋮
1	1	1	1	1	1	1	0	fosc/ 254
1	1	1	1	1	1	1	1	fosc / 255

Note: It is recommended to set DC(7-0) as "20"h, which means one charge bump clock period is 32 internal oscillation clocks.

6.27 Display Control 1 Register (R26h)

R/W	RS	RB15	RB14	RB13	RB12	RB11	RB10	RB9	RB8	RB7	RB6	RB5	RB4	RB3	RB2	RB1	RB0
W	1	*	*	*	*	*	*	*	*	PT1	PT0	GON	DTE	D1	D0	*	*
R	1	*	*	*	*	*	*	*	*	PT1	PT0	GON	DTE	D1	D0	*	*

Figure 6. 39 Display Control 1 Register (R26h)

D[1:0]: When D1 = 1, display is on; when D1 = 0, display is off. When display is off, the display data is retained in the GRAM, and can be instantly displayed by setting D1 = 1. When D1= 0, the display is off with the entire source outputs are set to the VSSD level. Because of this, the HX8347-A can control the charging current for the LCD with AC driving. When D1-0 = 01, the internal display of the HX8347-A is performed although the actual display is off. When D1-0 = 00, the internal display operation halts and the display is off.

GON, DTE:

GON	DTE	Gate Output
0	X	VGH
1	0	VGL
1	1	VGH/VGL

PT[1:0] : Non-display area source output control see follow table

INVON /REV_PANEL	GRAM Data	Source Output Level							
		Display area		Non-display Area					
		VCOM = "L"	VCOM = "H"	PT1-0=(0,*)		PT1-0=(1,0)		PT1-0=(1,1)	
		VCOM = "L"	VCOM = "H"	VCOM = "L"	VCOM = "H"	VCOM = "L"	VCOM = "H"	VCOM = "L"	VCOM = "H"
0	18'h00000	V63	V0	V63	V0	VSSD	VSSD	Hi-z	Hi-z
	18'h3FFFF	V0	V63	V63	V0	VSSD	VSSD	Hi-z	Hi-z
1	18'h00000	V0	V63	V63	V0	VSSD	VSSD	Hi-z	Hi-z
	18'h3FFFF	V63	V0	V63	V0	VSSD	VSSD	Hi-z	Hi-z

6.28 Display Control 2~7 Register (R27h~R2Ah, R2Ch, R2Dh)

RW	RS	RB15	RB14	RB13	RB12	RB11	RB10	RB9	RB8	RB7	RB6	RB5	RB4	RB3	RB2	RB1	RB0
W	1	*	*	*	*	*	*	*	*	*	*	*	*	N_BP3	N_BP2	N_BP1	N_BP0
R	1	*	*	*	*	*	*	*	*	*	*	*	*	N_BP3	N_BP2	N_BP1	N_BP0

Figure 6. 40 Display Control 2 Register (R27h)

RW	RS	RB15	RB14	RB13	RB12	RB11	RB10	RB9	RB8	RB7	RB6	RB5	RB4	RB3	RB2	RB1	RB0
W	1	*	*	*	*	*	*	*	*	*	*	*	*	N_BP3	N_BP2	N_BP1	N_BP0
R	1	*	*	*	*	*	*	*	*	*	*	*	*	N_BP3	N_BP2	N_BP1	N_BP0

Figure 6. 41 Display Control 3 Register (R28h)

RW	RS	RB15	RB14	RB13	RB12	RB11	RB10	RB9	RB8	RB7	RB6	RB5	RB4	RB3	RB2	RB1	RB0
W	1	*	*	*	*	*	*	*	*	*	*	*	*	PI_BP3	PI_BP2	PI_BP1	PI_BP0
R	1	*	*	*	*	*	*	*	*	*	*	*	*	PI_BP3	PI_BP2	PI_BP1	PI_BP0

Figure 6. 42 Display Control 4 Register (R29h)

RW	RS	RB15	RB14	RB13	RB12	RB11	RB10	RB9	RB8	RB7	RB6	RB5	RB4	RB3	RB2	RB1	RB0
W	1	*	*	*	*	*	*	*	*	*	*	*	*	PI_FP3	PI_FP2	PI_FP1	PI_FP0
R	1	*	*	*	*	*	*	*	*	*	*	*	*	PI_FP3	PI_FP2	PI_FP1	PI_FP0

Figure 6. 43 Display Control 5 Register (R2Ah)

RW	RS	RB15	RB14	RB13	RB12	RB11	RB10	RB9	RB8	RB7	RB6	RB5	RB4	RB3	RB2	RB1	RB0
W	1	*	*	*	*	*	*	*	*	*	*	*	*	I_BP3	I_BP2	I_BP1	I_BP0
R	1	*	*	*	*	*	*	*	*	*	*	*	*	I_BP3	I_BP2	I_BP1	I_BP0

Figure 6. 44 Display Control 6 Register (R2Ch)

RW	RS	RB15	RB14	RB13	RB12	RB11	RB10	RB9	RB8	RB7	RB6	RB5	RB4	RB3	RB2	RB1	RB0
W	1	*	*	*	*	*	*	*	*	*	*	*	*	I_FP3	I_FP2	I_FP1	I_FP0
R	1	*	*	*	*	*	*	*	*	*	*	*	*	I_FP3	I_FP2	I_FP1	I_FP0

Figure 6. 45 Display Control 7 Register (R2Dh)

N_BP, N_FP: Back Porch and Front Porch setting in Normal mode
PI_BP, PI_FP: Back Porch and Front Porch setting in Partial mode + Idle mode
I_BP, P_FP: Back Porch and Front Porch setting in Idle mode

FP[3:0]: Specify the amount of scan line for front porch (FP).
BP[3:0]: Specify the amount of scan line for back porch (BP).

FP3	FP2	FP1	FP0	Number of FP Line	Number of BP Line
BP3	BP2	BP1	BP0		
0	0	0	0	Ignore	
0	0	0	1	Ignore	

➤ HX8347-A(T)

240RGB x 320 dot, 262K color, TFT Mobile Single Chip Driver



DATA SHEET Preliminary V01

0	0	1	0	2 lines
0	0	1	1	3 lines
0	1	0	0	4 lines
0	1	0	1	5 lines
0	1	1	0	6 lines
0	1	1	1	7 lines
1	0	0	0	8 lines
1	0	0	1	9 lines
1	0	1	0	10 lines
1	0	1	1	11 lines
1	1	0	0	12 lines
1	1	0	1	13 lines
1	1	1	0	14 lines
1	1	1	1	Ignore

Operation Mode	BP	FP	BP + FP
System Interface	≥2 lines	≥2 lines	≤ 16 lines
RGB Interface	≥2 lines	≥2 lines	X

Himax Confidential
Do Not Copy

6.29 Power Control 11 Register (R2Bh)

R/W	RS	RB15	RB14	RB13	RB12	RB11	RB10	RB9	RB8	RB7	RB6	RB5	RB4	RB3	RB2	RB1	RB0
W	1	*	*	*	*	*	*	*	*	*	*	PI_PRE_REFRES_H1	PI_PRE_REFRES_H0	BLANK_DIV3	BLANK_DIV2	BLANK_DIV1	BLANK_DIV0
R	1	*	*	*	*	*	*	*	*	*	*	PI_PRE_REFRES_H1	PI_PRE_REFRES_H0	BLANK_DIV3	BLANK_DIV2	BLANK_DIV1	BLANK_DIV0

Figure 6. 46 Power Control 11 Register (R2Bh)

PI_PRE_PEFRESH: Internal used, not open.

PI_PRE_PEFRESH[1:0]	Line number
0	40
1	80
2	120
3	160

BLANK_DIV: Set pumping clock frequency on display blank time.

BLANK_DIV[3:0]	pumping clock
0	0
1	1/1
2	1/2
3	1/3

6.30 Version ID Register (R2Fh)

R/W	RS	RB15	RB14	RB13	RB12	RB11	RB10	RB9	RB8	RB7	RB6	RB5	RB4	RB3	RB2	RB1	RB0
W	1	*	*	*	*	*	*	*	*	Versio_n_ID7	Versio_n_ID6	Versio_n_ID5	Versio_n_ID4	Versio_n_ID3	Versio_n_ID2	Versio_n_ID1	Versio_n_ID0
R	1	*	*	*	*	*	*	*	*	Versio_n_ID7	Versio_n_ID6	Versio_n_ID5	Versio_n_ID4	Versio_n_ID3	Versio_n_ID2	Versio_n_ID1	Versio_n_ID0

Figure 6. 47 Display Control 9 Register (R2Fh)

Version ID[7:0] : This is HX8347-A Version number.

6.31 Display Control 9 Register (R35h)

R/W	RS	RB15	RB14	RB13	RB12	RB11	RB10	RB9	RB8	RB7	RB6	RB5	RB4	RB3	RB2	RB1	RB0
W	1	*	*	*	*	*	*	*	*	EQS_7	EQS_6	EQS_5	EQS_4	EQS_3	EQS_2	EQS_1	EQS_0
R	1	*	*	*	*	*	*	*	*	EQS_7	EQS_6	EQS_5	EQS_4	EQS_3	EQS_2	EQS_1	EQS_0

Figure 6. 48 Display Control 9 Register (R35h)

EQS[7:0] : Internal used and Not open.

6.32 Display Control 10 Register (R36h)

RW	RS	RB15	RB14	RB13	RB12	RB11	RB10	RB9	RB8	RB7	RB6	RB5	RB4	RB3	RB2	RB1	RB0
W	1	*	*	*	*	*	*	*	*	EQP 7	EQP 6	EQP 5	EQP 4	EQP 3	EQP 2	EQP 1	EQP 0
R	1	*	*	*	*	*	*	*	*	EQP 7	EQP 6	EQP 5	EQP 4	EQP 3	EQP 2	EQP 1	EQP 0

Figure 6. 49 Display Control 9 Register (R36h)

EQP[7:0] : Internal used and Not open.

Himax Confidential
Do Not Copy

6.33 Display Control 12 Register (R37h)

RW	RS	RB15	RB14	RB13	RB12	RB11	RB10	RB9	RB8	RB7	RB6	RB5	RB4	RB3	RB2	RB1	RB0
W	1	*	*	*	*	*	*	*	*	*	*	PTG 1	PTG 0	ISC 3	ISC 2	ISC 1	ISC 0
R	1	*	*	*	*	*	*	*	*	*	*	PTG 1	PTG 0	ISC 3	ISC 2	ISC 1	ISC 0

Figure 6. 50 Display Control 6 Register (R37h)

PTG[1:0]: Specify the scan mode of gate driver in non-display area.

PTG1	PTG0	Gate Outputs in Non-display Area
0	0	Normal Drive
0	1	Fixed VGL
1	0	Interval scan
1	1	Ignore

ISC[3:0] :Specify the scan cycle of gate driver when PTG1-0=10 in non-display area. Then scan cycle is set to an odd number from 0~31.The polarity is inverted every scan cycle.

ISC3	ISC2	ISC1	ISC0	Scan Cycle	f _{FLM} = 70Hz
0	0	0	0	0 frame	-
0	0	0	1	3 frames	50 ms
0	0	1	0	5 frames	84 ms
0	0	1	1	7 frames	117 ms
0	1	0	0	9 frames	150 ms
0	1	0	1	11 frames	184 ms
0	1	1	0	13 frames	217 ms
0	1	1	1	15 frames	251 ms
1	0	0	0	17 frames	284 ms
1	0	0	1	19 frames	317 ms
1	0	1	0	21 frames	351 ms
1	0	1	1	23 frames	384 ms
1	1	0	0	25 frames	418 ms
1	1	0	1	27 frames	451 ms
1	1	1	0	29 frames	484 ms
1	1	1	1	31 frames	518 ms

6.34 RGB Interface Control 1 Register (R38h)

RW	RS	RB15	RB14	RB13	RB12	RB11	RB10	RB9	RB8	RB7	RB6	RB5	RB4	RB3	RB2	RB1	RB0
W	1	*	*	*	*	*	*	*	*	*	*	*	RGB_EN	DPL	HSPL	VSPL	EPL
R	1	*	*	*	*	*	*	*	*	*	*	*	RGB_EN	DPL	HSPL	VSPL	EPL

Figure 6. 51 RGB Interface Control 1 Register (R39h)

This command is used to set RGB interface related register

EPL: Specify the polarity of Enable pin in RGB interface mode. EPL=1, the Enable is High active; EPL=0, the Enable is Low active

VSPL: The polarity of VSYNC pin. When VSPL=0, the VSYNC pin is Low active. When VSPL=1, the VSYNC pin is High active.

HSPL: The polarity of HSYNC pin. When HSPL=0, the HSYNC pin is Low active. When HSPL=1, the HSYNC pin is High active.

DPL: The polarity of DOTCLK pin. When DPL=0, the data is read on the rising edge of DOTCLK signal. When DPL=1, the data is read on the falling edge of DOTCLK signal.

Himax Confidential
Do Not Copy

6.35 RGB Interface Control 2 Register (R39h)

RW	RS	RB15	RB14	RB13	RB12	RB11	RB10	RB9	RB8	RB7	RB6	RB5	RB4	RB3	RB2	RB1	RB0
W	1	*	*	*	*	*	*	*	*	DOTCL K_DIV7	DOTCL K_DIV6	DOTCL K_DIV5	DOTCL K_DIV4	DOTCL K_DIV3	DOTCL K_DIV2	DOTCL K_DIV1	DOTCL K_DIV0
R	1	*	*	*	*	*	*	*	*	DOTCL K_DIV7	DOTCL K_DIV6	DOTCL K_DIV5	DOTCL K_DIV4	DOTCL K_DIV3	DOTCL K_DIV2	DOTCL K_DIV1	DOTCL K_DIV0

Figure 6. 52 RGB Interface Control 2 Register (R39h)

DOTCLK_DIV[7:0]: The division ratio of clocks for RGB Interface. This is for Internal used and not open.

DOTCLK_DIV [7:0]	Dot clock
8'b00000000	fosc/1
8'b00000001	fosc /2
8'b00000010	fosc /3
8'b00000011	fosc /4
....
8'b11111110	fosc /255
8'b11111111	fosc /256

6.36 Cycle Control 1~3 Register (R3A~3Ch)

RW	RS	RB15	RB14	RB13	RB12	RB11	RB10	RB9	RB8	RB7	RB6	RB5	RB4	RB3	RB2	RB1	RB0
W	1	*	*	*	*	*	*	*	*	N_RT N_RT 3	N_RT N_RT 2	N_RT N_RT 1	N_RT N_RT 0	*	N_NW N_NW 2	N_NW N_NW 1	N_NW N_NW 0
R	1	*	*	*	*	*	*	*	*	N_RT N_RT 3	N_RT N_RT 2	N_RT N_RT 1	N_RT N_RT 0	*	N_NW N_NW 2	N_NW N_NW 1	N_NW N_NW 0

Figure 6. 53 Cycle Control 1 Register (R3Ah)

RW	RS	RB15	RB14	RB13	RB12	RB11	RB10	RB9	RB8	RB7	RB6	RB5	RB4	RB3	RB2	RB1	RB0
W	1	*	*	*	*	*	*	*	*	PI_R TN3	PI_R TN2	PI_R TN1	PI_R TN0	*	PI_N W2	PI_N W1	PI_N W0
R	1	*	*	*	*	*	*	*	*	PI_R TN3	PI_R TN2	PI_R TN1	PI_R TN0	*	PI_N W2	PI_N W1	PI_N W0

Figure 6. 54 Cycle Control 2 Register (R3Bh)

RW	RS	RB15	RB14	RB13	RB12	RB11	RB10	RB9	RB8	RB7	RB6	RB5	RB4	RB3	RB2	RB1	RB0
W	1	*	*	*	*	*	*	*	*	I_RT I_RT 3	I_RT I_RT 2	I_RT I_RT 1	I_RT I_RT 0	*	I_NW I_NW 2	I_NW I_NW 1	I_NW I_NW 0
R	1	*	*	*	*	*	*	*	*	I_RT I_RT 3	I_RT I_RT 2	I_RT I_RT 1	I_RT I_RT 0	*	I_NW I_NW 2	I_NW I_NW 1	I_NW I_NW 0

Figure 6. 55 Cycle Control 3 Register (R3Ch)

The driver IC support individual inversion type and clock per line for Normal display mode, Partial display mode and Idle (8-color) display mode. The resultant NW and RTN will be selected automatically according display mode.

- N_NW, N_RTN: Normal mode
- PI_NW, PI_RTN: Partial mode + Idle mode
- I_NW, I_RTN: Idle mode

NW[2:0]: Frame Inversion and N-line inversion control for normal display mode.

NW[2:0]	Inversion Type
0	Frame inversion
1	1-line inversion
2	2-line inversion
3	3-line inversion
..	..
7	7-line inversion

RTN[3:0]: Set the 1-line period in a clock unit for normal display mode.

Clock cycles=1/internal operation clock frequency

RTN[3:0]	Clock Cycles per Line
4'b0000	245
4'b0001	246
4'b0010	247
4'b0011	248
....
4'b1110	259
4'b1111	260

Himax Confidential
Do Not Copy

6.37 Cycle Control 4 Register (R3Dh)

RW	RS	RB15	RB14	RB13	RB12	RB11	RB10	RB9	RB8	RB7	RB6	RB5	RB4	RB3	RB2	RB1	RB0
W	1	*	*	*	*	*	*	*	*	*	*	DIV_I1	DIV_I0	DIV_PI1	DIV_PI0	DIV_1	DIV_0
R	1	*	*	*	*	*	*	*	*	*	*	DIV_I1	DIV_I0	DIV_PI1	DIV_PI0	DIV_1	DIV_0

Figure 6. 56 Cycle Control 4 Register (R3Dh)

DIV_N1-0:The division ratio of clocks for Normal mode internal operation (DIV_N1-0). Internal operations are base on the clocks which are frequency divided according to the value of DIV_N1-0. Frame frequency can be adjusted along with the 1H period (RTN[3:0]). When the drive line count is changed, the frame frequency must be also adjusted.

DIV_PI1-0:The division ratio of clocks for Partial mode + Idle mode internal operation (DIV_PI1-0). Internal operations are base on the clocks which are frequency divided according to the value of DIV_PI1-0. Frame frequency can be adjusted along with the 1H period (PI_RTN[3:0]). When the drive line count is changed, the frame frequency must be also adjusted.

DIV_I1-0:The division ratio of clocks for Idle mode internal operation (DIV_I1-0). Internal operations are base on the clocks which are frequency divided according to the value of DIV_I1-0. Frame frequency can be adjusted along with the 1H period (I_RTN[3:0]). When the drive line count is changed, the frame frequency must be also adjusted.

fosc = R-C oscillation frequency

DIV_N1 / DIV_PI1 / DIV_I1	DIV_N0 / DIV_PI0 / DIV_I0	Division Ratio	Internal Operation Clock Frequency
0	0	1	fosc / 1
0	1	2	fosc / 2
1	0	4	fosc / 4
1	1	8	fosc / 8

Formula for the Frame Frequency:

$$\text{Frame frequency} = \text{fosc} / (\text{RTN} \times \text{DIV} \times (\text{NL} + \text{BP} + \text{FP})) \text{ [HZ]}$$

fosc: RC oscillation frequency

6.38 Cycle Control 5 Register (R3Eh)

RW	RS	RB15	RB14	RB13	RB12	RB11	RB10	RB9	RB8	RB7	RB6	RB5	RB4	RB3	RB2	RB1	RB0
W	1	*	*	*	*	*	*	*	*	SON 7	SON 6	SON 5	SON 4	SON 3	SON 2	SON 1	SON 0
R	1	*	*	*	*	*	*	*	*	SON 7	SON 6	SON 5	SON 4	SON 3	SON 2	SON 1	SON 0

Figure 6. 57 Display Control 5 Register (R3Eh)

6.39 Cycle Control 6 Register (R40h)

RW	RS	RB15	RB14	RB13	RB12	RB11	RB10	RB9	RB8	RB7	RB6	RB5	RB4	RB3	RB2	RB1	RB0
W	1	*	*	*	*	*	*	*	*	GDON 7	GDON 6	GDON 5	GDON 4	GDON 3	GDON 2	GDON 1	GDON 0
R	1	*	*	*	*	*	*	*	*	GDON 7	GDON 6	GDON 5	GDON 4	GDON 3	GDON 2	GDON 1	GDON 0

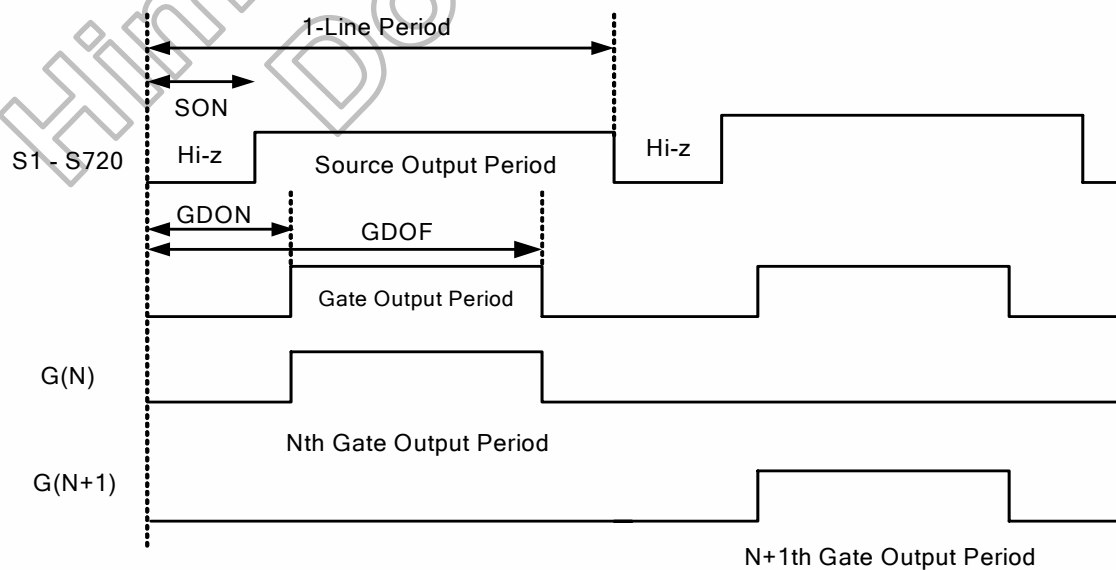
Figure 6. 58 Display Control 6 Register (R40h)

6.40 Display Control 14 Register (R41h)

RW	RS	RB15	RB14	RB13	RB12	RB11	RB10	RB9	RB8	RB7	RB6	RB5	RB4	RB3	RB2	RB1	RB0
W	1	*	*	*	*	*	*	*	*	GDOF 7	GDOF 6	GDOF 5	GDOF 4	GDOF 3	GDOF 2	GDOF 1	GDOF 0
R	1	*	*	*	*	*	*	*	*	GDOF 7	GDOF 6	GDOF 5	GDOF 4	GDOF 3	GDOF 2	GDOF 1	GDOF 0

Figure 6. 59 Display Control 3 Register (R41h)

The HX8347-A can control the display operation period time for LCD panel driving as follow:



SON7-0: Specify the valid source output start time in 1-line driving period. The period time is defined as SYSCLK clock number. (Please note that the setting “00h” and “01h” is inhibited).

GDON7-0: Specify the valid gate output start time in 1-line driving period. The period time is defined as SYSCLK clock number in internal clock display mode. The period time is defined as setting value x 8 DOTCLK clock number in external clock display mode. (Please note that the setting “00h” , “01h” , “02h” is inhibited).

GDOF7-0: Specify the gate output end time in 1-line driving period. The period time is defined as SYSCLK clock number in internal clock display mode. The period time is defined as setting value x 8 DOTCLK clock number in external clock display mode. (Please note that the $GDOF7-0 \leq HCK-1$).

6.41 BGP Control Register (R42h)

R/W	RS	RB 15	RB 14	RB 13	RB 12	RB 11	RB 10	RB 9	RB 8	RB 7	RB 6	RB 5	RB 4	RB 3	RB 2	RB 1	RB 0
W	1	*	*	*	*	*	*	*	*	*	*	*	VBG P_OE	BGP3	BGP2	BGP1	BGP0
R	1	*	*	*	*	*	*	*	*	*	*	*	VBG P_OE	BGP3	BGP2	BGP1	BGP0

Figure 6. 60 BGP Control 1 Register (R42h)

BGP[3:0]: band gap voltage control

BGP[3:0]	VBGP Output
4'b0000	X 0.936
4'b0001	X 0.944
4'b0010	X 0.952
4'b0011	X 0.96
4'b0100	X 0.968
4'b0101	X 0.976
4'b0110	X 0.984
4'b0111	X 0.992
4'b1000	X 1.000
4'b1001	X 1.008
4'b1010	X 1.016
4'b1011	X 1.024
4'b1100	X 1.032
4'b1101	X 1.040
4'b1110	X 1.048
4'b1111	X 1.056

BGP_OE: If VBG_P_OE=1, HX-8347-A outputs the band gap voltage to VBG pin.

6.42 Vcom Control 1 Register (R43h)

R/W	RS	RB 15	RB 14	RB 13	RB 12	RB 11	RB 10	RB 9	RB 8	RB 7	RB 6	RB 5	RB 4	RB 3	RB 2	RB 1	RB 0
W	1	*	*	*	*	*	*	*	*	VCOMG	*	*	*	*	*	*	*
R	1	*	*	*	*	*	*	*	*	VCOMG	*	*	*	*	*	*	*

Figure 6. 61 Vcom Control 1 Register (R43h)

VCOMG:

When VCOMG = 1, VCOML voltage can output to negative voltage (1.0V ~ VCI+0.5V).
 When VCOMG = 0, VCOML outputs VSSA and VDV(4-0) setting are invalid. Then, low power consumption is accomplished.

Himax Confidential
Do Not Copy

6.43 Vcom Control 2 Register (R44h)

R/W	RS	RB 15	RB 14	RB 13	RB 12	RB 11	RB 10	RB 9	RB 8	RB 7	RB 6	RB 5	RB 4	RB 3	RB 2	RB 1	RB 0
W	1	*	*	*	*	*	*	*	*	*	VCM6	VCM5	VCM4	VCM3	VCM2	VCM1	VCM0
R	1	*	*	*	*	*	*	*	*	*	VCM6	VCM5	VCM4	VCM3	VCM2	VCM1	VCM0

Figure 6. 62 Vcom Control 2 Register

VCM(6-0):

Set the VCOMH voltage (High level voltage of VCOM) It is possible to amplify from 0.4 to 0.98 times of VREG1 voltage.

VCM6	VCM5	VCM4	VCM3	VCM2	VCM1	VCM0	VCOMH
0	0	0	0	0	0	0	VREG1 * 0.4
0	0	0	0	0	0	1	VREG1 * 0.405
0	0	0	0	0	1	0	VREG1 * 0.41
0	0	0	0	0	1	1	VREG1 * 0.415
0	0	0	0	1	0	0	VREG1 * 0.42
0	0	0	0	1	0	1	VREG1 * 0.425
0	0	0	0	1	1	0	VREG1 * 0.43
0	0	0	0	1	1	1	VREG1 * 0.435
0	0	0	1	0	0	0	VREG1 * 0.44
0	0	0	1	0	0	1	VREG1 * 0.445
0	0	0	1	0	1	0	VREG1 * 0.45
0	0	0	1	0	1	1	VREG1 * 0.455
0	0	0	1	1	0	0	VREG1 * 0.46
0	0	0	1	1	0	1	VREG1 * 0.465
0	0	0	1	1	1	0	VREG1 * 0.47
0	0	0	1	1	1	1	VREG1 * 0.475
0	0	1	0	0	0	0	VREG1 * 0.48
0	0	1	0	0	0	1	VREG1 * 0.485
0	0	1	0	0	1	0	VREG1 * 0.49
0	0	1	0	0	1	1	VREG1 * 0.495
0	0	1	0	1	0	0	VREG1 * 0.5
0	0	1	0	1	0	1	VREG1 * 0.505
0	0	1	0	1	1	0	VREG1 * 0.51
0	0	1	0	1	1	1	VREG1 * 0.515
0	0	1	1	0	0	0	VREG1 * 0.52
0	0	1	1	0	0	1	VREG1 * 0.525
0	0	1	1	0	1	0	VREG1 * 0.53
0	0	1	1	0	1	1	VREG1 * 0.535
0	0	1	1	1	0	0	VREG1 * 0.54
0	0	1	1	1	0	1	VREG1 * 0.545
0	0	1	1	1	1	0	VREG1 * 0.55
0	0	1	1	1	1	1	VREG1 * 0.555
0	1	0	0	0	0	0	VREG1 * 0.56
0	1	0	0	0	0	1	VREG1 * 0.565
0	1	0	0	0	1	0	VREG1 * 0.57
0	1	0	0	0	1	1	VREG1 * 0.575
0	1	0	0	1	0	0	VREG1 * 0.58
0	1	0	0	1	0	1	VREG1 * 0.585
0	1	0	0	1	1	0	VREG1 * 0.59
0	1	0	0	1	1	1	VREG1 * 0.595
0	1	0	1	0	0	0	VREG1 * 0.6
0	1	0	1	0	0	1	VREG1 * 0.605
0	1	0	1	0	1	0	VREG1 * 0.61
0	1	0	1	0	1	1	VREG1 * 0.615
0	1	0	1	1	0	0	VREG1 * 0.62
0	1	0	1	1	0	1	VREG1 * 0.625
0	1	0	1	1	1	0	VREG1 * 0.63
0	1	0	1	1	1	1	VREG1 * 0.635
0	1	1	0	0	0	0	VREG1 * 0.64
0	1	1	0	0	0	1	VREG1 * 0.645
0	1	1	0	0	1	0	VREG1 * 0.65
0	1	1	0	0	1	1	VREG1 * 0.655
0	1	1	0	1	0	0	VREG1 * 0.66

HX8347-A(T)

240RGB x 320 dot, 262K color, TFT Mobile Single Chip Driver



DATA SHEET Preliminary V01

VCM6	VCM5	VCM4	VCM3	VCM2	VCM1	VCM0	VCOMH
0	1	1	0	1	0	1	VREG1 * 0.665
0	1	1	0	1	1	0	VREG1 * 0.67
0	1	1	0	1	1	1	VREG1 * 0.675
0	1	1	1	0	0	0	VREG1 * 0.68
0	1	1	1	0	0	1	VREG1 * 0.685
0	1	1	1	0	1	0	VREG1 * 0.69
0	1	1	1	0	1	1	VREG1 * 0.695
0	1	1	1	1	0	0	VREG1 * 0.7
0	1	1	1	1	0	1	VREG1 * 0.705
0	1	1	1	1	1	0	VREG1 * 0.71
0	1	1	1	1	1	1	VCOMH can be adjusted from VCOMR with a external VR (variable resistor),
1	0	0	0	0	0	0	VREG1 * 0.715
1	0	0	0	0	0	1	VREG1 * 0.72
1	0	0	0	0	1	0	VREG1 * 0.725
1	0	0	0	0	1	1	VREG1 * 0.73
1	0	0	0	1	0	0	VREG1 * 0.735
1	0	0	0	1	0	1	VREG1 * 0.74
1	0	0	0	1	1	0	VREG1 * 0.745
1	0	0	0	1	1	1	VREG1 * 0.75
1	0	0	1	0	0	0	VREG1 * 0.755
1	0	0	1	0	0	1	VREG1 * 0.76
1	0	0	1	0	1	0	VREG1 * 0.765
1	0	0	1	0	1	1	VREG1 * 0.77
1	0	0	1	1	0	0	VREG1 * 0.775
1	0	0	1	1	0	1	VREG1 * 0.78
1	0	0	1	1	1	0	VREG1 * 0.785
1	0	0	1	1	1	1	VREG1 * 0.79
1	0	1	0	0	0	0	VREG1 * 0.795
1	0	1	0	0	0	1	VREG1 * 0.8
1	0	1	0	0	1	0	VREG1 * 0.805
1	0	1	0	0	1	1	VREG1 * 0.81
1	0	1	0	1	0	0	VREG1 * 0.815
1	0	1	0	1	0	1	VREG1 * 0.82
1	0	1	0	1	1	0	VREG1 * 0.825
1	0	1	0	1	1	1	VREG1 * 0.83
1	0	1	1	0	0	0	VREG1 * 0.835
1	0	1	1	0	0	1	VREG1 * 0.84
1	0	1	1	0	1	0	VREG1 * 0.845
1	0	1	1	0	1	1	VREG1 * 0.85
1	0	1	1	1	0	0	VREG1 * 0.855
1	0	1	1	1	0	1	VREG1 * 0.86
1	0	1	1	1	1	0	VREG1 * 0.865
1	0	1	1	1	1	1	VREG1 * 0.87
1	1	0	0	0	0	0	VREG1 * 0.875
1	1	0	0	0	0	1	VREG1 * 0.88
1	1	0	0	0	1	0	VREG1 * 0.885
1	1	0	0	0	1	1	VREG1 * 0.89
1	1	0	0	1	0	0	VREG1 * 0.895
1	1	0	0	1	0	1	VREG1 * 0.9
1	1	0	0	1	1	0	VREG1 * 0.905
1	1	0	0	1	1	1	VREG1 * 0.91
1	1	0	1	0	0	0	VREG1 * 0.915
1	1	0	1	0	0	1	VREG1 * 0.92
1	1	0	1	0	1	0	VREG1 * 0.925
1	1	0	1	0	1	1	VREG1 * 0.93
1	1	0	1	1	0	0	VREG1 * 0.935
1	1	0	1	1	0	1	VREG1 * 0.94
1	1	0	1	1	1	0	VREG1 * 0.945
1	1	0	1	1	1	1	VREG1 * 0.95
1	1	1	0	0	0	0	VREG1 * 0.955
1	1	1	0	0	0	1	VREG1 * 0.96
1	1	1	0	0	1	0	VREG1 * 0.965
1	1	1	0	0	1	1	VREG1 * 0.97

Himax Confidential

This information contained herein is the exclusive property of Himax and shall not be distributed, reproduced, or disclosed in whole or in part without prior written permission of Himax.

-P.111-

April, 2007

➤ HX8347-A(T)

240RGB x 320 dot, 262K color, TFT Mobile Single Chip Driver



DATA SHEET Preliminary V01

VCM6	VCM5	VCM4	VCM3	VCM2	VCM1	VCM0	VCOMH
1	1	1	0	1	0	0	VREG1 * 0.975
1	1	1	0	1	0	1	VREG1 * 0.98
1	1	1	0	1	1	0	inhibit
1	1	1	0	1	1	1	inhibit
1	1	1	1	0	0	0	inhibit
1	1	1	1	0	0	1	inhibit
1	1	1	1	0	1	0	inhibit
1	1	1	1	0	1	1	inhibit
1	1	1	1	1	0	0	inhibit
1	1	1	1	1	0	1	inhibit
1	1	1	1	1	1	0	inhibit
1	1	1	1	1	1	1	VCOMH can be adjusted from VCOMR with a external VR (variable resister)

Himax Confidential
Do Not Copy

6.44 Vcom Control 3 Register (R45h)

R/W	RS	RB15	RB14	RB13	RB12	RB11	RB10	RB9	RB8	RB7	RB6	RB5	RB4	RB3	RB2	RB1	RB0
W	1	*	*	*	*	*	*	*	*	*	*	*	VDV4	VDV3	VDV2	VDV1	VDV0
R	1	*	*	*	*	*	*	*	*	*	*	*	VDV4	VDV3	VDV2	VDV1	VDV0

Figure 6. 63 Vcom Control 3 Register (R45h)

VDV(4-0):

Specify the VCOM amplitude factors for panel common driving ($V_{COML} = V_{COMH} - V_{COM}$ amplitude). It is possible to setup from 0.6 to 1.23 times of VREG1. When $V_{COMG} = 0$, the VDV(4-0) setup is invalid and V_{COML} is output VSSA.

VDV4	VDV3	VDV2	VDV1	VDV0	VCOM Amplitude
0	0	0	0	0	VREG1*0.6
0	0	0	0	1	VREG1*0.63
0	0	0	1	0	VREG1*0.66
0	0	0	1	1	VREG1*0.69
0	0	1	0	0	VREG1*0.72
0	0	1	0	1	VREG1*0.75
0	0	1	1	0	VREG1*0.78
0	0	1	1	1	VREG1*0.81
0	1	0	0	0	VREG1*0.84
0	1	0	0	1	VREG1*0.87
0	1	0	1	0	VREG1*0.9
0	1	0	1	1	VREG1*0.93
0	1	1	0	0	VREG1*0.96
0	1	1	0	1	VREG1*0.99
0	1	1	1	0	VREG1*1.02
0	1	1	1	1	Inhibit
1	0	0	0	0	VREG1*1.05
1	0	0	0	1	VREG1*1.08
1	0	0	1	0	VREG1*1.11
1	0	0	1	1	VREG1*1.14
1	0	1	0	0	VREG1*1.17
1	0	1	0	1	VREG1*1.2
1	0	1	1	0	VREG1*1.23
1	0	1	1	1	Inhibit
1	1	0	0	0	Inhibit
1	1	0	0	1	Inhibit
1	1	0	1	0	Inhibit
1	1	0	1	1	Inhibit
1	1	1	0	0	Inhibit
1	1	1	0	1	Inhibit
1	1	1	1	0	Inhibit
1	1	1	1	1	Inhibit

6.45 GAMMA Control 1~12 Register (R46~51h)

R/W	RS	RB15	RB14	RB13	RB12	RB11	RB10	RB9	RB8	RB7	RB6	RB5	RB4	RB3	RB2	RB1	RB0
W	1	*	*	*	*	*	*	*	*	GSEL	CP12	CP11	CP10	*	CP02	CP01	CP00
R	1	*	*	*	*	*	*	*	*	GSEL	CP12	CP11	CP10	*	CP02	CP01	CP00

Figure 6. 64 GAMMA Control 1 Register (R46h)

R/W	RS	RB15	RB14	RB13	RB12	RB11	RB10	RB9	RB8	RB7	RB6	RB5	RB4	RB3	RB2	RB1	RB0
W	1	*	*	*	*	*	*	*	*	*	CN12	CN11	CN10	*	CN02	CN01	CN00
R	1	*	*	*	*	*	*	*	*	*	CN12	CN11	CN10	*	CN02	CN01	CN00

Figure 6. 65 GAMMA Control 2 Register (R47h)

R/W	RS	RB15	RB14	RB13	RB12	RB11	RB10	RB9	RB8	RB7	RB6	RB5	RB4	RB3	RB2	RB1	RB0
W	1	*	*	*	*	*	*	*	*	*	NP12	NP11	NP10	*	NP02	NP01	NP00
R	1	*	*	*	*	*	*	*	*	*	NP12	NP11	NP10	*	NP02	NP01	NP00

Figure 6. 66 GAMMA Control 3 Register (R48h)

R/W	RS	RB15	RB14	RB13	RB12	RB11	RB10	RB9	RB8	RB7	RB6	RB5	RB4	RB3	RB2	RB1	RB0
W	1	*	*	*	*	*	*	*	*	*	NP32	NP31	NP30	*	NP22	NP21	NP20
R	1	*	*	*	*	*	*	*	*	*	NP32	NP31	NP30	*	NP22	NP21	NP20

Figure 6. 67 GAMMA Control 4 Register (R49h)

R/W	RS	RB15	RB14	RB13	RB12	RB11	RB10	RB9	RB8	RB7	RB6	RB5	RB4	RB3	RB2	RB1	RB0
W	1	*	*	*	*	*	*	*	*	*	NP52	NP51	NP50	*	NP42	NP41	NP40
R	1	*	*	*	*	*	*	*	*	*	NP52	NP51	NP50	*	NP42	NP41	NP40

Figure 6. 68 GAMMA Control 5 Register (R4Ah)

R/W	RS	RB15	RB14	RB13	RB12	RB11	RB10	RB9	RB8	RB7	RB6	RB5	RB4	RB3	RB2	RB1	RB0
W	1	*	*	*	*	*	*	*	*	*	NN12	NN11	NN10	*	NN02	NN01	NN00
R	1	*	*	*	*	*	*	*	*	*	NN12	NN11	NN10	*	NN02	NN01	NN00

Figure 6. 69 GAMMA Control 6 Register (R4Bh)

R/W	RS	RB15	RB14	RB13	RB12	RB11	RB10	RB9	RB8	RB7	RB6	RB5	RB4	RB3	RB2	RB1	RB0
W	1	*	*	*	*	*	*	*	*	*	NN32	NN31	NN30	*	NN22	NN21	NN20
R	1	*	*	*	*	*	*	*	*	*	NN32	NN31	NN30	*	NN22	NN21	NN20

Figure 6. 70 GAMMA Control 7 Register (R4Ch)

R/W	RS	RB15	RB14	RB13	RB12	RB11	RB10	RB9	RB8	RB7	RB6	RB5	RB4	RB3	RB2	RB1	RB0
W	1	*	*	*	*	*	*	*	*	*	NN52	NN51	NN50	*	NN52	NN51	NN50
R	1	*	*	*	*	*	*	*	*	*	NN52	NN51	NN50	*	NN52	NN51	NN50

Figure 6. 71 GAMMA Control8 Register (R4Dh)

R/W	RS	RB15	RB14	RB13	RB12	RB11	RB10	RB9	RB8	RB7	RB6	RB5	RB4	RB3	RB2	RB1	RB0
W	1	*	*	*	*	*	*	*	*	CGM P11	CGM P10	CGM P01	CGMP 00	OP03	OP02	OP01	OP00
R	1	*	*	*	*	*	*	*	*	CGM P11	CGM P10	CGM P01	CGMP 00	OP03	OP02	OP01	OP00

Figure 6. 72 GAMMA Control 9 Register (R4Eh)

R/W	RS	RB15	RB14	RB13	RB12	RB11	RB10	RB9	RB8	RB7	RB6	RB5	RB4	RB3	RB2	RB1	RB0
W	1	*	*	*	*	*	*	*	*	CGM P3	CGM P2	*	OP14	OP13	OP12	OP11	OP10
R	1	*	*	*	*	*	*	*	*	CGM P3	CGM P2	*	OP14	OP13	OP12	OP11	OP10

Figure 6. 73 GAMMA Control 10 Register (R4Fh)

R/W	RS	RB15	RB14	RB13	RB12	RB11	RB10	RB9	RB8	RB7	RB6	RB5	RB4	RB3	RB2	RB1	RB0
W	1	*	*	*	*	*	*	*	*	CGMN 10	CGMN 10	CGMN 01	CGMN 00	ON03	ON02	ON01	ON00
R	1	*	*	*	*	*	*	*	*	CGMN 10	CGMN 10	CGMN 01	CGMN 00	ON03	ON02	ON01	ON00

Figure 6. 74 GAMMA Control 11 Register (R50h)

R/W	RS	RB15	RB14	RB13	RB12	RB11	RB10	RB9	RB8	RB7	RB6	RB5	RB4	RB3	RB2	RB1	RB0
W	1	*	*	*	*	*	*	*	*	CGM N3	CGMN2	*	ON14	ON13	ON12	ON11	ON10
R	1	*	*	*	*	*	*	*	*	CGM N3	CGMN2	*	ON14	ON13	ON12	ON11	ON10

Figure 6. 75 GAMMA Control 12 Register (R51h)

- CP1-0 [2:0]:** Gamma Center Adjustment registers for positive polarity output
- CN1-0 [2:0]:** Gamma Center Adjustment registers for negative polarity output
- NP5-0 [2:0]:** Gamma Macro Adjustment registers for positive polarity output
- NN5-0 [2:0]:** Gamma Macro Adjustment registers for negative polarity output
- OP0 [3:0]/OP1 [4:0]:** Gamma Offset Adjustment register for positive polarity output
- ON0 [3:0]/ON1 [4:0]:** Gamma Offset Adjustment register for negative polarity output
- CGMP0[1:0], CGMP1[1:0]:** Gamma Tap Adjustment register for positive polarity output
- CGMN0[1:0], CGMN1[1:0]:** Gamma Tap Adjustment register for negative polarity output
- CGMP2, CGMP3:** Gamma Harmony adjustment register for positive polarity output
- CGMN2, CGMN3:** Gamma Harmony adjustment register for negative polarity output
- GSEL:** V0, V256 reference voltage selection. GSEL=1, V0=VgP/N0, V63= VgP/N7; If GSEL=0, V0=VREG1, V63= VGS. For details, please refer to 5.9.4 Gamma

resister stream and 8 to 1 Selector.

This command is used to set Gamma Curve 1 Related Setting

Register Groups	Positive Polarity	Negative Polarity	Description
Center Adjustment	CP0 2-0	CN0 2-0	Variable resistor (VRCP/N0) for center adjustment
	CP1 2-0	CN1 2-0	Variable resistor (VRCP/N1) for center adjustment
Macro Adjustment	NP0 2-0	NN0 2-0	8-to-1 selector (voltage level of grayscale 4)
	NP1 2-0	NN1 2-0	8-to-1 selector (voltage level of grayscale 32)
	NP2 2-0	NN2 2-0	8-to-1 selector (voltage level of grayscale 80)
	NP3 2-0	NN3 2-0	8-to-1 selector (voltage level of grayscale 176)
	NP4 2-0	NN4 2-0	8-to-1 selector (voltage level of grayscale 224)
	NP5 2-0	NN5 2-0	8-to-1 selector (voltage level of grayscale 252)
Offset Adjustment	OP0 3-0	ON0 3-0	Variable resistor (VROP/N0) for offset adjustment
	OP1 4-0	ON1 4-0	Variable resistor (VROP/N1) for offset adjustment

6.46 Internal Use 1(R55h)

RW	RS	RB15	RB14	RB13	RB12	RB11	RB10	RB9	RB8	RB7	RB6	RB5	RB4	RB3	RB2	RB1	RB0
W	1	*	*	*	*	*	*	*	*	*	*	*	*	*	VDC_SEL_3	VDC_SEL_1	VDC_SEL_0
R	1	*	*	*	*	*	*	*	*	*	*	*	*	*	VDC_SEL_3	VDC_SEL_1	VDC_SEL_0

Figure 6. 76 Internal Use 1(R55h)

This command is used to set internal digital voltage for digital circuit and GRAM.
VDC_SEL[2:0]: Not open

6.47 Internal Use 2 (R56h)

RW	RS	RB15	RB14	RB13	RB12	RB11	RB10	RB9	RB8	RB7	RB6	RB5	RB4	RB3	RB2	RB1	RB0
W	1	*	*	*	*	*	*	*	*	RPU_LSE3	RPU_LSE2	RPU_LSE1	RPULS_E0	SPU_LSE3	SPULS_E2	SPULS_E1	SPULS_E0
R	1	*	*	*	*	*	*	*	*	RPU_LSE3	RPU_LSE2	RPU_LSE1	RPULS_E0	SPU_LSE3	SPULS_E2	SPULS_E1	SPULS_E0

Figure 6. 77 Internal Use 2(R56h)

This command is used to set GRAM arbiter pulse width
SPULSE[3:0]: Not open
RPULSE[3:0]: Not open

6.48 Internal Use 3 (R57h)

RW	RS	RB15	RB14	RB13	RB12	RB11	RB10	RB9	RB8	RB7	RB6	RB5	RB4	RB3	RB2	RB1	RB0
W	1	*	*	*	*	*	*	*	*	*	*	*	*	*	*	TEST_MODE	TEST_OE
R	1	*	*	*	*	*	*	*	*	*	*	*	*	*	*	TEST_MODE	TEST_OE

Figure 6. 78 Internal Register Access Enable (R57h)

TEST_MODE: Not open

6.49 Internal Use 4 (R58h)

R/W	RS	RB15	RB14	RB13	RB12	RB11	RB10	RB9	RB8	RB7	RB6	RB5	RB4	RB3	RB2	RB1	RB0
W	1	*	*	*	*	*	*	*	*	PROB E7	PROB E6	PROB E5	PROB E4	PROB E3	PROB E2	PROB E1	PROB E0
R	1	*	*	*	*	*	*	*	*	PROB E7	PROB E6	PROB E5	PROB E4	PROB E3	PROB E2	PROB E1	PROB E0

Figure 6. 79 Internal Use 4 (R58h)

This command is used to set which group of signals to be observed
PROBE[7:0]: Not open

6.50 Internal Use 5 (R59h)

R/W	RS	RB15	RB14	RB13	RB12	RB11	RB10	RB9	RB8	RB7	RB6	RB5	RB4	RB3	RB2	RB1	RB0
W	1	*	*	*	*	*	*	*	*	PTB A15	PTB A14	PTB A13	PTB A12	PTB A11	PTB A10	PTB A9	PTB A8
R	1	*	*	*	*	*	*	*	*	PTB A15	PTB A14	PTB A13	PTB A12	PTB A11	PTB A10	PTB A9	PTB A8

Figure 6. 80 Internal Use 5 (R59h)

This command is used to set which group of signals to be observed

6.51 Internal Use 6 (R5Ah)

R/W	RS	RB15	RB14	RB13	RB12	RB11	RB10	RB9	RB8	RB7	RB6	RB5	RB4	RB3	RB2	RB1	RB0
W	1	*	*	*	*	*	*	*	*	PTB A7	PTB A6	PTB A5	PTB A4	PTB A3	PTB A2	PTB A1	PTB A0
R	1	*	*	*	*	*	*	*	*	PTB A7	PTB A6	PTB A5	PTB A4	PTB A3	PTB A2	PTB A1	PTB A0

Figure 6. 81 Internal Use 6 (R5Ah)

This command is used to set power circuit option
PTBA[15:0]: Not open

6.52 Internal Use 7(R5Bh)

R/W	RS	RB15	RB14	RB13	RB12	RB11	RB10	RB9	RB8	RB7	RB6	RB5	RB4	RB3	RB2	RB1	RB0
W	1	*	*	*	*	*	*	*	*	STB A15	STB A14	STB A13	STB A12	STB A11	STB A10	STB A9	STB A8
R	1	*	*	*	*	*	*	*	*	STB A15	STB A14	STB A13	STB A12	STB A11	STB A10	STB A9	STB A8

Figure 6. 82 Internal Use 7(R5Bh)

For internal use and not open.

6.53 Internal Use 8 (R5Ch)

R/W	RS	RB15	RB14	RB13	RB12	RB11	RB10	RB9	RB8	RB7	RB6	RB5	RB4	RB3	RB2	RB1	RB0
W	1	*	*	*	*	*	*	*	*	STB A7	STB A6	STB A5	STB A4	STB A3	STB A2	STB A1	STB A0
R	1	*	*	*	*	*	*	*	*	STB A7	STB A6	STB A5	STB A4	STB A3	STB A2	STB A1	STB A0

Figure 6. 83 Internal Use 9 (R5Ch)

For internal use and not open.

6.54 Internal Use 9 (R5Dh)

R/W	RS	RB15	RB14	RB13	RB12	RB11	RB10	RB9	RB8	RB7	RB6	RB5	RB4	RB3	RB2	RB1	RB0
W	1	*	*	*	*	*	*	*	*	*	VTEST SEL2	VTEST SEL1	VTEST SEL0	STES TOE1	STES TOE0	GAOE	GMA
R	1	*	*	*	*	*	*	*	*	*	VTEST SEL2	VTEST SEL1	VTEST SEL0	STES TOE1	STES TOE0	GAOE	GMA

Figure 6. 84 Internal Use 9 (R5Dh)

For internal use and not open.

6.55 Internal Use 10 (R5Eh)

R/W	RS	RB15	RB14	RB13	RB12	RB11	RB10	RB9	RB8	RB7	RB6	RB5	RB4	RB3	RB2	RB1	RB0
W	1	*	*	*	*	*	*	*	*	BIST_CB1	BIST_CB0	BIST_ALL1	BIST_ALL0	BIST_V	BIST_H	BIST_OPT	BIST_EN
R	1	*	*	*	*	*	*	*	*	BIST_CB1	BIST_CB0	BIST_ALL1	BIST_ALL0	BIST_V	BIST_H	BIST_OPT	BIST_EN

Figure 6. 85 Internal Use 10 (R5Eh)

For internal use and not open.

6.56 Internal Use 11 (R5Fh)

R/W	RS	RB15	RB14	RB13	RB12	RB11	RB10	RB9	RB8	RB7	RB6	RB5	RB4	RB3	RB2	RB1	RB0
W	1	*	*	*	*	*	*	*	*	*	ERR0_FLAG2	ERR0_FLAG1	ERR0_FLAG0	*	*	*	*
R	1	*	*	*	*	*	*	*	*	*	ERR0_FLAG2	ERR0_FLAG1	ERR0_FLAG0	*	*	*	*

Figure 6. 86 Internal Use 11 (R5Fh)

For internal use and not open.

6.57 Internal Use 12 (R60h)

R/W	RS	RB15	RB14	RB13	RB12	RB11	RB10	RB9	RB8	RB7	RB6	RB5	RB4	RB3	RB2	RB1	RB0
W	1	*	*	*	*	*	*	*	*	*	*	*	*	*	*	PULO	SRAM_AD DR_MUX
R	1	*	*	*	*	*	*	*	*	*	*	*	*	*	*	PULO	SRAM_AD DR_MUX

Figure 6. 87 Internal Use 12 (R60h)

For internal use and not open.

6.58 Internal Use 13 (R61h)

R/W	RS	RB15	RB14	RB13	RB12	RB11	RB10	RB9	RB8	RB7	RB6	RB5	RB4	RB3	RB2	RB1	RB0
W	1	*	*	*	*	*	*	*	*	*	*	*	TSA	ELE	TDISP_AREA	TM	TSC
R	1	*	*	*	*	*	*	*	*	*	*	*	TSA	ELE	TDISP_AREA	TM	TSC

Figure 6. 88 Internal Use 13 (R61h)

For internal use and not open.

6.59 Internal Use 14 (R62h)

R/W	RS	RB15	RB14	RB13	RB12	RB11	RB10	RB9	RB8	RB7	RB6	RB5	RB4	RB3	RB2	RB1	RB0
W	1	*	*	*	*	*	*	*	*	*	*	*	*	*	*	*	TLADD8
R	1	*	*	*	*	*	*	*	*	*	*	*	*	*	*	*	TLADD8

Figure 6. 89 Internal Use 14 (R62h)

For internal use and not open.

6.60 Internal Use 15 (R63h)

R/W	RS	RB15	RB14	RB13	RB12	RB11	RB10	RB9	RB8	RB7	RB6	RB5	RB4	RB3	RB2	RB1	RB0
W	1	*	*	*	*	*	*	*	*	TLA DD7	TLA DD6	TLA DD5	TLA DD4	TLA DD3	TLA DD2	TLA DD1	TLA DD0
R	1	*	*	*	*	*	*	*	*	TLA DD7	TLA DD6	TLA DD5	TLA DD4	TLA DD3	TLA DD2	TLA DD1	TLA DD0

Figure 6. 90 Internal Use 15 (R63h)

For internal use and not open.

6.61 Internal Use 16 (R64h)

R/W	RS	RB15	RB14	RB13	RB12	RB11	RB10	RB9	RB8	RB7	RB6	RB5	RB4	RB3	RB2	RB1	RB0
W	1	*	*	*	*	*	*	*	*	ID17	ID16	ID15	ID14	ID13	ID12	ID11	ID10
R	1	*	*	*	*	*	*	*	*	ID17	ID16	ID15	ID14	ID13	ID12	ID11	ID10

Figure 6. 91 Internal Use 16 (R64h)

For internal use and not open.

6.62 Internal Use 17 (R65h)

R/W	RS	RB15	RB14	RB13	RB12	RB11	RB10	RB9	RB8	RB7	RB6	RB5	RB4	RB3	RB2	RB1	RB0
W	1	*	*	*	*	*	*	*	*	0	ID26	ID25	ID24	ID23	ID22	ID21	ID20
R	1	*	*	*	*	*	*	*	*	0	ID26	ID25	ID24	ID23	ID22	ID21	ID20

Figure 6. 92 Internal Use 17 (R65h)

For internal use and not open.

6.63 Internal Use 18 (R66h)

R/W	RS	RB15	RB14	RB13	RB12	RB11	RB10	RB9	RB8	RB7	RB6	RB5	RB4	RB3	RB2	RB1	RB0
W	1	*	*	*	*	*	*	*	*	ID37	ID36	ID35	ID34	ID33	ID32	ID31	ID30
R	1	*	*	*	*	*	*	*	*	ID37	ID36	ID35	ID34	ID33	ID32	ID31	ID30

Figure 6. 93 Internal Use 18 (R66h)

For internal use and not open.

6.64 Internal Use 19 (R67h)

R/W	RS	RB15	RB14	RB13	RB12	RB11	RB10	RB9	RB8	RB7	RB6	RB5	RB4	RB3	RB2	RB1	RB0
W	1	*	*	*	*	*	*	*	*	ROM_T EST_A DDR7	ROM_T EST_A DDR6	ROM_T EST_A DDR5	ROM_T EST_A DDR4	ROM_T EST_A DDR3	ROM_T EST_A DDR2	ROM_T EST_A DDR1	ROM_T EST_A DDR0
R	1	*	*	*	*	*	*	*	*	ROM_T EST_A DDR7	ROM_T EST_A DDR6	ROM_T EST_A DDR5	ROM_T EST_A DDR4	ROM_T EST_A DDR3	ROM_T EST_A DDR2	ROM_T EST_A DDR1	ROM_T EST_A DDR0

Figure 6. 94 Internal Use 19 (R67h)

For internal use and not open.

6.65 Internal Use 20 (R68h)

R/W	RS	RB15	RB14	RB13	RB12	RB11	RB10	RB9	RB8	RB7	RB6	RB5	RB4	RB3	RB2	RB1	RB0
W	1	*	*	*	*	*	*	*	*	*	*	*	*	*	ROM_T EST_A DDR10	ROM_T EST_A DDR9	ROM_T EST_A DDR8
R	1	*	*	*	*	*	*	*	*	*	*	*	*	*	ROM_T EST_A DDR10	ROM_T EST_A DDR9	ROM_T EST_A DDR8

Figure 6. 95 Internal Use 20 (R68h)

For internal use and not open.

6.66 Internal Use 21 (R69h)

R/W	RS	RB15	RB14	RB13	RB12	RB11	RB10	RB9	RB8	RB7	RB6	RB5	RB4	RB3	RB2	RB1	RB0
W	1	*	*	*	*	*	*	*	*	*	*	*	*	*	ROM_T EST	ROM_T EST_C SB	ROM_T EST_O EB
R	1	*	*	*	*	*	*	*	*	*	*	*	*	*	ROM_T EST	ROM_T EST_C SB	ROM_T EST_O EB

Figure 6. 96 Internal Use 21 (R69h)

For internal use and not open.

6.67 Internal Use 22 (R6Ah)

R/W	RS	RB15	RB14	RB13	RB12	RB11	RB10	RB9	RB8	RB7	RB6	RB5	RB4	RB3	RB2	RB1	RB0
W	1	*	*	*	*	*	*	*	*	ECO 07	ECO 06	ECO 05	ECO 04	ECO 03	ECO 02	ECO 01	ECO 00
R	1	*	*	*	*	*	*	*	*	ECO 07	ECO 06	ECO 05	ECO 04	ECO 03	ECO 02	ECO 01	ECO 00

Figure 6. 97 Internal Use 22 (R6Ah)

For internal use and not open.

6.68 Internal Use 23 (R6Bh)

R/W	RS	RB15	RB14	RB13	RB12	RB11	RB10	RB9	RB8	RB7	RB6	RB5	RB4	RB3	RB2	RB1	RB0
W	1	*	*	*	*	*	*	*	*	ECO 17	ECO 16	ECO 15	ECO 14	ECO 13	ECO 12	ECO 11	ECO 10
R	1	*	*	*	*	*	*	*	*	ECO 17	ECO 16	ECO 15	ECO 14	ECO 13	ECO 12	ECO 11	ECO 10

Figure 6. 98 Internal Use 23 (R6Bh)

For internal use and not open.

6.69 Internal Use 28 (R70h)

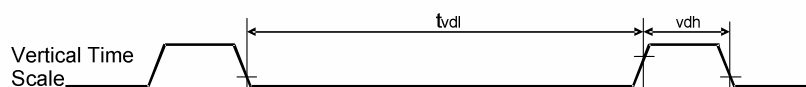
R/W	RS	RB15	RB14	RB13	RB12	RB11	RB10	RB9	RB8	RB7	RB6	RB5	RB4	RB3	RB2	RB1	RB0
W	1	*	*	*	*	*	*	*	*	*	GS	SS	TEMODE	TEON	CSEL 2	CSEL 1	CSEL 0
R	1	*	*	*	*	*	*	*	*	*	GS	SS	TEMODE	TEON	CSEL 2	CSEL 1	CSEL 0

Figure 6. 99 Internal Use 28 (R70h)

TEMODE: Specify the Tearing-Effect mode.

When TEMODE=0:

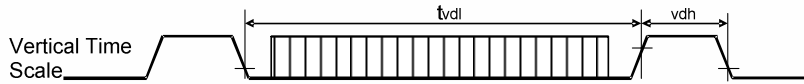
The Tearing Effect Output line consists of V-Blanking information only.



When TEMODE =1:

The Tearing Effect Output Line consists of both V-Blanking and H-Blanking

information



Note: During Sleep In Mode with Tearing Effect Line On, Tearing Effect Output pin active low

TEON:

This command is used to turn ON the Tearing Effect output signal from the TE signal line. This output is not affected by changing Memory Access Control bit B4.

CSEL[2:0]:

This command is used to define the format of RGB picture data, which is to be transferred via the RGB Interface. The formats are shown in the table:

Interface Format	CSEL2	CSEL1	CSEL0
Not Defined	0	0	0
Not Defined	0	0	1
Not Defined	0	1	0
12 Bit/Pixel	0	1	1
Not Defined	1	0	0
16 Bit/Pixel	1	0	1
18 Bit/Pixel	1	1	0

SS: The source driver output shift direction selected. When SS=0, the shift direction from S1 to S720. When SS = 1, the shift direction from S720 to S1.

6.70 Data control register (R72h)

R/W	RS	RB15	RB14	RB13	RB12	RB11	RB10	RB9	RB8	RB7	RB6	RB5	RB4	RB3	RB2	RB1	RB0
W	1	*	*	*	*	*	*	*	*	*	*	DFM1	DFM0	*	*	TRI1	TRI0
R	1	*	*	*	*	*	*	*	*	*	*	DFM1	DFM0	*	*	TRI1	TRI0

Figure 6. 100 Serial Bus Interface Control Register (R72h)

TRI[1:0]	GRAM
00	16 bit-color/per pixel data
01	18 bit-color/per pixel data
1X	18 bit-color/per pixel data

For details, please refer to serial bus system interface.

6.71 Internal Use 31 (R73h)

R/W	RS	RB15	RB14	RB13	RB12	RB11	RB10	RB9	RB8	RB7	RB6	RB5	RB4	RB3	RB2	RB1	RB0
W	1	*	*	*	*	*	*	*	*	SDM YP07	SDM YP06	SDM YP05	SDM YP04	SDM YP03	SDM YP02	SDM YP01	SDM YP00
R	1	*	*	*	*	*	*	*	*	SDM YP07	SDM YP06	SDM YP05	SDM YP04	SDM YP03	SDM YP02	SDM YP01	SDM YP00

Figure 6. 101 Internal Use 31 (R73h)

For internal use and not open.

6.72 Internal Use 32 (R74h)

R/W	RS	RB15	RB14	RB13	RB12	RB11	RB10	RB9	RB8	RB7	RB6	RB5	RB4	RB3	RB2	RB1	RB0
W	1	*	*	*	*	*	*	*	*	*	*	*	SDM YB04	SDM YB03	SDM YB02	SDM YB01	SDM YB00
R	1	*	*	*	*	*	*	*	*	*	*	*	SDM YB04	SDM YB03	SDM YB02	SDM YB01	SDM YB00

Figure 6. 102 Internal Use 32 (R74h)

For internal use and not open.

6.73 Internal Use 33 (R75h)

R/W	RS	RB15	RB14	RB13	RB12	RB11	RB10	RB9	RB8	RB7	RB6	RB5	RB4	RB3	RB2	RB1	RB0
W	1	*	*	*	*	*	*	*	*	SDM YP17	SDM YP16	SDM YP15	SDM YP14	SDM YP13	SDM YP12	SDM YP11	SDM YP10
R	1	*	*	*	*	*	*	*	*	SDM YP17	SDM YP16	SDM YP15	SDM YP14	SDM YP13	SDM YP12	SDM YP11	SDM YP10

Figure 6. 103 Internal Use 33 (R75h)

For internal use and not open.

6.74 Internal Use 34 (R76h)

R/W	RS	RB15	RB14	RB13	RB12	RB11	RB10	RB9	RB8	RB7	RB6	RB5	RB4	RB3	RB2	RB1	RB0
W	1	*	*	*	*	*	*	*	*	*	*	*	SDM YB14	SDM YB13	SDM YB12	SDM YB11	SDM YB10
R	1	*	*	*	*	*	*	*	*	*	*	*	SDM YB14	SDM YB13	SDM YB12	SDM YB11	SDM YB10

Figure 6. 104 Internal Use 34 (R76h)

For internal use and not open.

6.75 Internal Use 35 (R77h)

R/W	RS	RB15	RB14	RB13	RB12	RB11	RB10	RB9	RB8	RB7	RB6	RB5	RB4	RB3	RB2	RB1	RB0
W	1	*	*	*	*	*	*	*	*	SDM YP27	SDM YP26	SDM YP25	SDM YP24	SDM YP23	SDM YP22	SDM YP21	SDM YP20
R	1	*	*	*	*	*	*	*	*	SDM YP27	SDM YP26	SDM YP25	SDM YP24	SDM YP23	SDM YP22	SDM YP21	SDM YP20

Figure 6. 105 Internal Use 35 (R77h)

For internal use and not open.

6.76 Internal Use 36 (R78h)

R/W	RS	RB15	RB14	RB13	RB12	RB11	RB10	RB9	RB8	RB7	RB6	RB5	RB4	RB3	RB2	RB1	RB0
W	1	*	*	*	*	*	*	*	*	*	*	*	SDM YB24	SDM YB23	SDM YB22	SDM YB21	SDM YB20
R	1	*	*	*	*	*	*	*	*	*	*	*	SDM YB24	SDM YB23	SDM YB22	SDM YB21	SDM YB20

Figure 6. 106 Internal Use 36 (R78h)

For internal use and not open.

6.77 Internal Use 37 (R79h)

R/W	RS	RB15	RB14	RB13	RB12	RB11	RB10	RB9	RB8	RB7	RB6	RB5	RB4	RB3	RB2	RB1	RB0
W	1	*	*	*	*	*	*	*	*	SDM YP37	SDM YP36	SDM YP35	SDM YP34	SDM YP33	SDM YP32	SDM YP31	SDM YP30
R	1	*	*	*	*	*	*	*	*	SDM YP37	SDM YP36	SDM YP35	SDM YP34	SDM YP33	SDM YP32	SDM YP31	SDM YP30

Figure 6. 107 Internal Use 37 (R79h)

For internal use and not open.

6.78 Internal Use 38 (R7Ah)

R/W	RS	RB15	RB14	RB13	RB12	RB11	RB10	RB9	RB8	RB7	RB6	RB5	RB4	RB3	RB2	RB1	RB0
W	1	*	*	*	*	*	*	*	*	*	*	*	SDM_YB34	SDM_YB33	SDM_YB32	SDM_YB31	SDM_YB30
R	1	*	*	*	*	*	*	*	*	*	*	*	SDM_YB34	SDM_YB33	SDM_YB32	SDM_YB31	SDM_YB30

Figure 6. 108 Internal Use 38 (R7Ah)

For internal use and not open.

6.79 Internal Use 39 (R7Bh)

R/W	RS	RB15	RB14	RB13	RB12	RB11	RB10	RB9	RB8	RB7	RB6	RB5	RB4	RB3	RB2	RB1	RB0
W	1	*	*	*	*	*	*	*	*	*	*	*	SRAM_FIX_EN	*	*	*	BIST_LOAD
R	1	*	*	*	*	*	*	*	*	*	*	*	SRAM_FIX_EN	*	*	*	BIST_LOAD

Figure 6. 109 Internal Use 39 (R7Bh)

For internal use and not open.

6.80 Internal Use 47 (R83h)

R/W	RS	RB15	RB14	RB13	RB12	RB11	RB10	RB9	RB8	RB7	RB6	RB5	RB4	RB3	RB2	RB1	RB0
W	1	*	*	*	*	*	*	*	*	*	*	*	*	*	*	SFULL	*
R	1	*	*	*	*	*	*	*	*	*	*	*	*	*	*	SFULL	*

Figure 6. 110 Internal Use 47 (R83h)

For internal use and not open.

6.81 Internal Use 48 (R84h)

R/W	RS	RB15	RB14	RB13	RB12	RB11	RB10	RB9	RB8	RB7	RB6	RB5	RB4	RB3	RB2	RB1	RB0
W	1	*	*	*	*	*	*	*	*	*	*	*	*	*	*	IO_O_PT1	IO_O_PT0
R	1	*	*	*	*	*	*	*	*	*	*	*	*	*	*	IO_O_PT1	IO_O_PT0

Figure 6. 111 Internal Use 48 (R84h)

This command is used to be observed.
For internal use and not open.

6.82 Internal Use 35 (R85h)

R/W	RS	RB15	RB14	RB13	RB12	RB11	RB10	RB9	RB8	RB7	RB6	RB5	RB4	RB3	RB2	RB1	RB0
R	1	*	*	*	*	*	*	*	*	OTP_DATA_READ[7:0]							

Figure 6. 112 Internal Use 35 (R85h)

For internal use and not open.

6.83 Internal Use 47 (R87h)

R/W	RS	RB15	RB14	RB13	RB12	RB11	RB10	RB9	RB8	RB7	RB6	RB5	RB4	RB3	RB2	RB1	RB0
W	1	*	*	*	*	*	*	*	*	*	*	REFB LEN	WLE DELA Y	SRAM _OTP _3	SRAM _OTP _2	SRAM _OTP _1	SRAM _OTP _0
R	1	*	*	*	*	*	*	*	*	*	*	REFB LEN	WLE DELA Y	SRAM _OTP _3	SRAM _OTP _2	SRAM _OTP _1	SRAM _OTP _0

Figure 6. 113 Internal Use 47 (R87h)

For internal use and not open.

6.84 Display Control 8 (R90h)

R/W	RS	RB15	RB14	RB13	RB12	RB11	RB10	RB9	RB8	RB7	RB6	RB5	RB4	RB3	RB2	RB1	RB0
W	1	*	*	*	*	*	*	*	*	SAP[7:0]							
R	1	*	*	*	*	*	*	*	*	SAP[7:0]							

Figure 6. 114 Display Control 8 (R90h)

For internal use and not open.

6.85 Display Control 11 (R91h)

R/W	RS	RB15	RB14	RB13	RB12	RB11	RB10	RB9	RB8	RB7	RB6	RB5	RB4	RB3	RB2	RB1	RB0
W	1	*	*	*	*	*	*	*	*	GEN_OFF[7:0]							
R	1	*	*	*	*	*	*	*	*	GEN_OFF[7:0]							

Figure 6. 115 Display Control 11 (R91h)

For internal use and not open.

6.86 CPCRC Setting (R92h)

R/W	RS	RB15	RB14	RB13	RB12	RB11	RB10	RB9	RB8	RB7	RB6	RB5	RB4	RB3	RB2	RB1	RB0
W	1	*	*	*	*	*	*	*	*	CPCRC[7:0]							
R	1	*	*	*	*	*	*	*	*	CPCRC[7:0]							

Figure 6. 116 CPCRC Setting (R92h)

For internal use and not open.

6.87 OSC Control 3 (R93h)

R/W	RS	RB15	RB14	RB13	RB12	RB11	RB10	RB9	RB8	RB7	RB6	RB5	RB4	RB3	RB2	RB1	RB0
W	1	*	*	*	*	*	*	*	*	*	*	*	*	RADJ 3	RADJ 2	RADJ 1	RADJ 0
R	1	*	*	*	*	*	*	*	*	*	*	*	*	RADJ 3	RADJ 2	RADJ 1	RADJ 0

Figure 6. 117 OSC Control 3 (R93h)

RADJ[4:0]: Internal oscillator frequency adjust, default is 5.58MHz.

RADJ3	RADJ2	RADJ1	RADJ0	Internal Oscillator Frequency
0	0	0	0	175%
0	0	0	1	170%
0	0	1	0	165%
0	0	1	1	160%
0	1	0	0	155%
0	1	0	1	150%
0	1	1	0	145%
0	1	1	1	140%
1	0	0	0	135%
1	0	0	1	130%
1	0	1	0	125%
1	0	1	1	120%
1	1	0	0	115%
1	1	0	1	110%
1	1	1	0	105%
1	1	1	1	100%

6.88 SAP Idle Mode (R94h)

RW	RS	RB15	RB14	RB13	RB12	RB11	RB10	RB9	RB8	RB7	RB6	RB5	RB4	RB3	RB2	RB1	RB0
W	1	*	*	*	*	*	*	*	*	SAP_I[7:0]							
R	1	*	*	*	*	*	*	*	*	SAP_I[7:0]							

Figure 6. 118 SAP Idle Mode (R94h)

For internal use and not open.

6.89 DCCLK SYNC TO CL1 (R95h)

RW	RS	RB15	RB14	RB13	RB12	RB11	RB10	RB9	RB8	RB7	RB6	RB5	RB4	RB3	RB2	RB1	RB0
W	1	*	*	*	*	*	*	*	*	*	*	*	*	*	*	*	DCCLK_SYNC
R	1	*	*	*	*	*	*	*	*	*	*	*	*	*	*	*	DCCLK_SYNC

Figure 6. 119 DCCLK SYNC TO CL1 (R95h)

For internal use and not open.

7. Electrical Characteristic

7.1 Absolute Maximum Ratings

(V_{SS} = 0V)

Item	Symbol	Value	Unit
Supply Voltage (1)	IOVCC	-0.3 ~ +3.3	V
Supply Voltage (2)	VCI	-0.3 ~ +4.6	V
Supply Voltage (3)	DDVDH	-0.3 ~ +9	V
Supply Voltage (4)	VCL	-4.6 ~ +0.3	V
Supply Voltage (5)	VGH	-0.3 ~ +18.5	V
Supply Voltage (6)	VGL	-18.5 ~ +0.3	V
Input Voltage Range	VIN	-0.3 ~ VCI+0.3	V
Operating Temperature Range	TOPR	-40 ~ +85	°C
Storage Temperature Range	TSTG	-55 ~ +110	°C

7.2 ESD Protection Level

Mode	Test Condition	Protection Level	Unit
Human Body Model	C = 100 pF, R = 1.5 kΩ	±2.0K	V
Machine Model	C = 200 pF, R = 0.0 Ω	±200	V

Table 7. 1

7.3 Latch-Up Protection Level

TBD

7.4 Light Sensitivity

TBD

7.5 Maximum Series Resistance

Name	Type	Maximum Series Resistance	Unit
IOVCC	Power supply	10	Ω
VCI	Power supply	10	Ω
VSSA	Power supply	10	Ω
VSSD	Power supply	10	Ω
OSC	Input	100	Ω
CM, SHUT, RL, TB, P68, BS[1:0], EXTC, IFSEL0, BURN, REGVDD,	Input	100	Ω
NRD_E, NWR_RNW, DNC_SCL, NCS, SDI	Input	100	Ω
NRESET	Input	100	Ω
D[17:0], DOTCLK, ENABLE, VSYNC, HSYNC, SDO	Input	100	Ω
VGH	Capacitor connection	10	Ω
VGL	Capacitor connection	10	Ω
VCL	Capacitor connection	10	Ω
DDVDH	Capacitor connection	10	Ω
VDDD	Capacitor connection	10	Ω
VREG1	Capacitor connection	30	Ω
VREG3	Capacitor connection	20	Ω
VCOMH, VCOML	Capacitor connection	20	Ω
C11A, C11B, CX11A, CX11B	Capacitor connection	10	Ω
C12A, C12B	Capacitor connection	10	Ω
C21A, C21B	Capacitor connection	15	Ω
C22A, C22B	Capacitor connection	15	Ω
VCOMR	Input	100	Ω
VGS	Input	30	Ω
TEST[3:1]	Input	100	Ω
VBGP	Output	100	Ω

Table 7. 2

7.6 DC Characteristics

Item	Symbol	Unit	Test Condition	Min.	Typ.	Max.	Note
Input high voltage	V _{IH}	V	IOVcc= 1.65 ~ 3.0V	0.8xIOVcc	-	IOVcc	-
Input low voltage	V _{IL}	V	IOVcc= 1.65 ~ 3.0V	-0.3V	-	0.2xIOVcc	-
Output high voltage(1) (D0-17 Pins)	V _{OH1}	V	I _{OH} = -0.1 mA	0.8xIOVcc	-	-	-
Output low voltage (D0-17 Pins)	V _{OL1}	V	IOVcc= 1.65 ~ 2.4V I _{OL} = 0.1mA	-	-	0.2xIOVcc	-
I/O leakage current	I _{Li}	μA	V _{in} = 0 ~ V _{cc}	-1	-	1	-
Current consumption during normal operation (V _{cc} – V _{SSD})+ (IOVcc-VSSD)	I _{OP(IOVcc)}	μA	V _{ci} =2.8V ,IOVcc=2.8V Ta=25°C , GRAM data = 0000h, Frame rate = 70Hz, REV=0, SAP=01111111, AP=100, FS0=00, FS1=11, BT=0100, VC1=111, VC3=000 VRH=0011, VCM=0100000,VDV=01110, VCOMG=1 No panel load	-	150	300	-
Current consumption during normal operation (V _{ci} – V _{SSD})	I _{OP(Vci)}	mA		-	2.7	3.0	-
Current consumption during standby mode (V _{cc} – V _{SSD}) + (IOVcc-VSSD)	I _{ST(IOVcc)}	μA	IOVcc=2.8V , Ta=25°C	-	5	20	-
Current consumption during standby mode (V _{ci} – V _{SSD})	I _{ST(Vci)}	μA		-	0.5	1	-
Output voltage deviation	-	mV	-	-	5	-	-
Dispersion of the Average Output Voltage	V	mV	-	-	-	35	-

Table 8. 1 DC Characteristic (V_{ci} = 2.4 ~ 3.3V, IOVcc = 1.65~3.0V, Ta = -40 ~ 85 °C)

7.7 AC CHARACTERISTICS

7.7.1 Parallel Interface Characteristics (8080-series MPU)

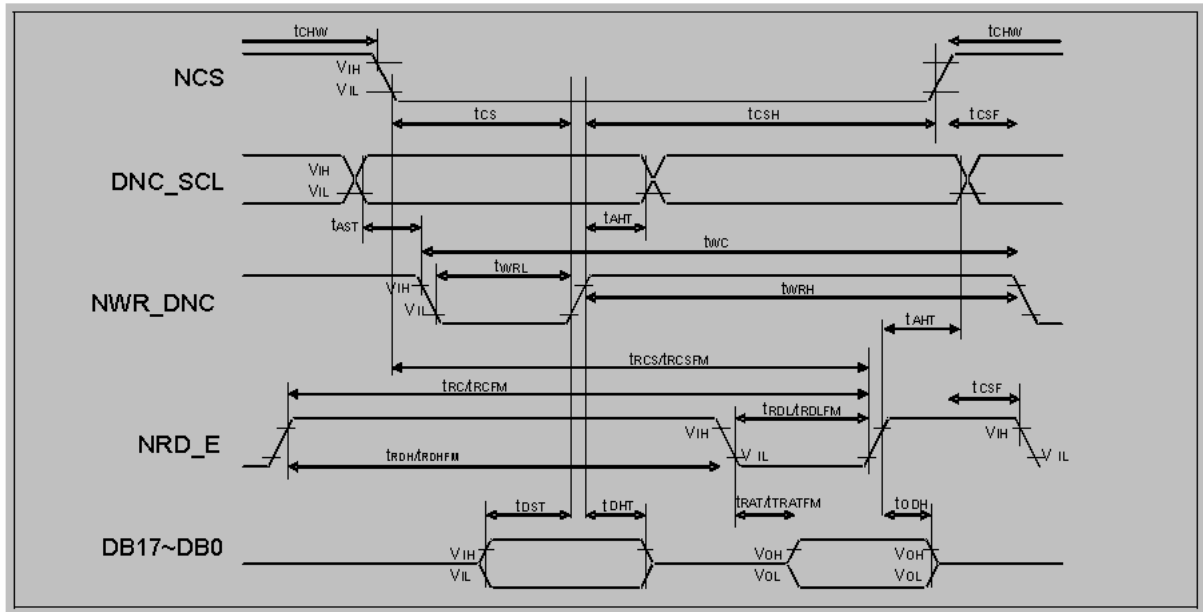


Figure 7. 1 Parallel Interface Characteristics (8080-series MPU)

(VSSA=0V, IOVCC=1.65V to 2.50V, VCI=2.3V to 2.9V, Ta = -30 to 70° C)

Signal	Symbol	Parameter	Min.	Max.	Unit	Description
DNC_SCL	tAST	Address setup time	10	-	ns	-
	tAHT	Address hold time (Write/Read)	10	-		
NCS	tCHW	Chip select "H" pulse width	0	-	ns	-
	tCS	Chip select setup time (Write)	35	-		
	tRCSFM	Chip select setup time	355	-		
	tCSF	Chip select wait time (Write/Read)	10	-		
	tCSH	Chip select hold time	10	-		
NWR_RNW	tWC	Write cycle	100	-	ns	-
	tWRH	Control pulse "H" duration	35	-		
	tWRL	Control pulse "L" duration	35	-		
NRD_E	tRCFM	Read cycle	450	-	ns	When read from GRAM
	tRDHFEM	Control pulse "H" duration	90	-		
	tRDLFEM	Control pulse "L" duration	355	-		
D17 to D0	tDST	Data setup time	15	-	ns	For maximum CL=30pF For minimum CL=8pF
	tDHT	Data hold time	10	-		
	tRATFM	Read access time	-	340		
	tODH	Output disable time	20	80		

Note: The input signal rise time and fall time (tr, tf) is specified at 15 ns or less.

Logic high and low levels are specified as 30% and 70% of IOVCC for Input signals.

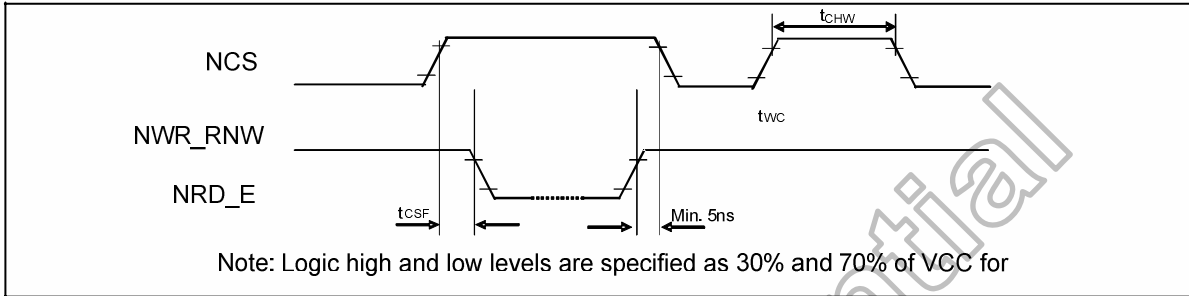
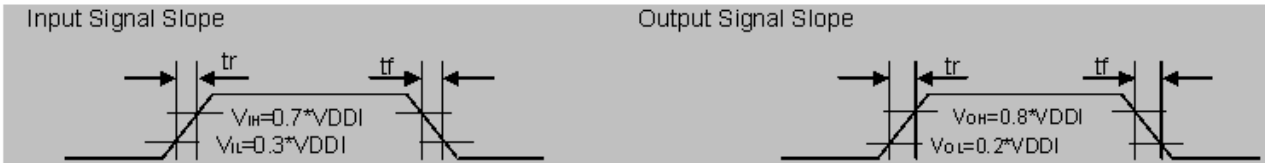


Figure 7. 2 Chip Select Timing

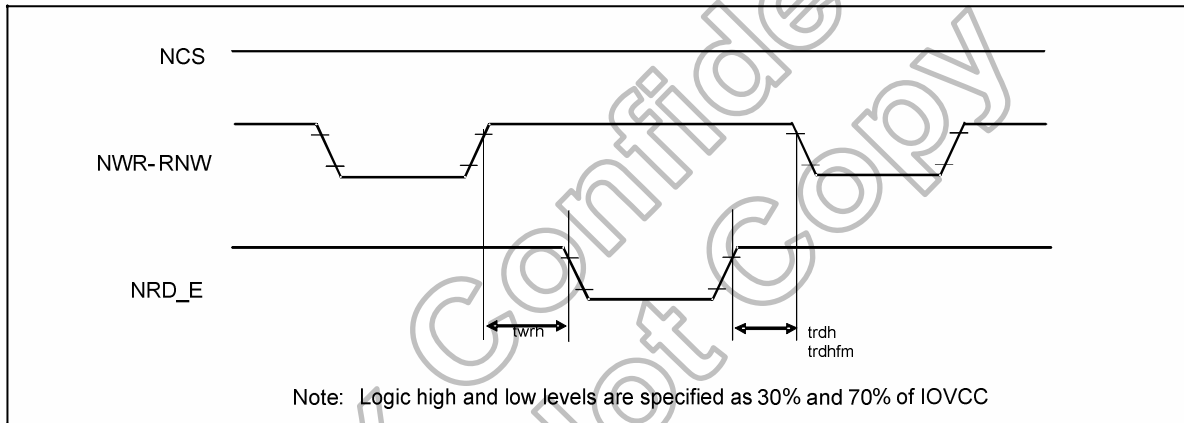


Figure 7. 3 Write to Read and Read to Write Timing

7.7.2 Parallel Interface Characteristics (6800-series MPU)

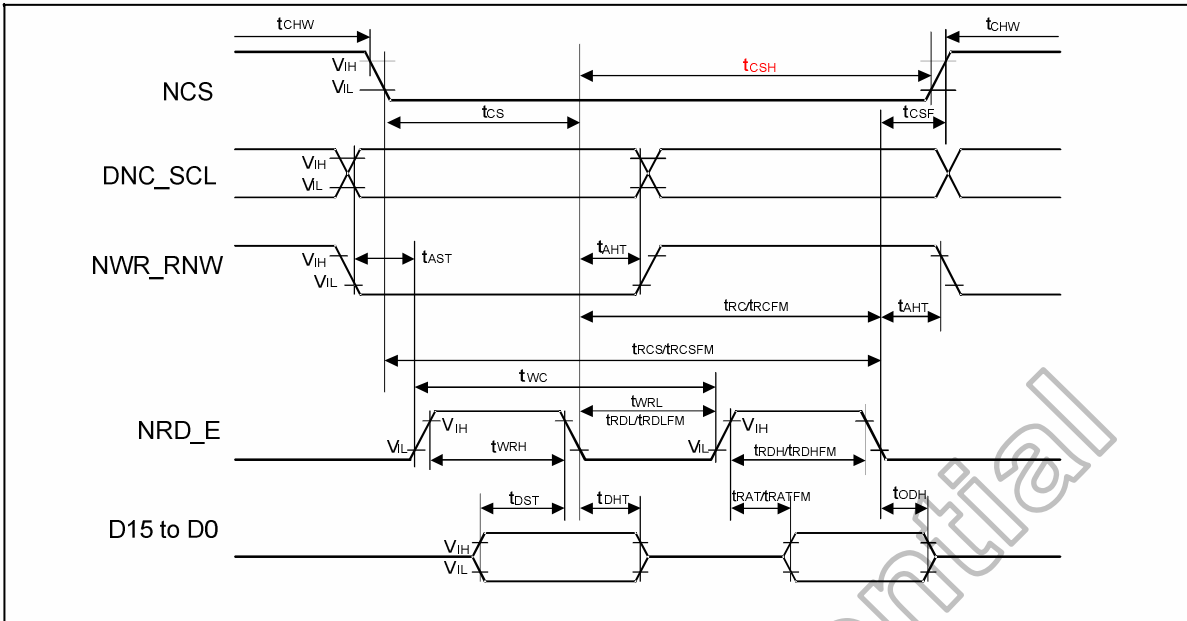


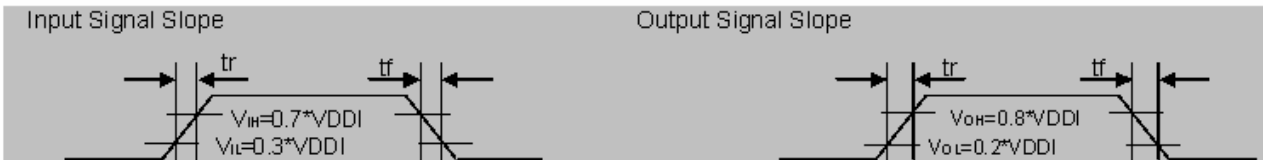
Figure7. 1 Parallel Interface Characteristics (6800-series MPU)

(VSSA=0V, IOVCC=1.65V to 2.50V, VCI=2.3V to 2.9V, Ta = -30 to 70° C)

Signal	Symbol	Parameter	Min.	Max.	Unit	Description
DNC_SCL	t _{AST}	Address setup time	10	-	ns	-
	t _{AHT}	Address hold time (Write/Read)	10	-		
NCS	t _{CHW}	Chip select "H" pulse width	0	-	ns	-
	t _{CS}	Chip select setup time (Write)	35	-		
	t _{RCSFM}	Chip select setup time	355	-		
	t _{CSF}	Chip select wait time (Write/Read)	10	-		
	t _{CSH}	Chip select hold time	10	-		
NWR_RNW	t _{WC}	Write cycle	100	-	ns	-
	t _{WRH}	Control pulse "H" duration	35	-		
	t _{WRL}	Control pulse "L" duration	35	-		
NRD_E	t _{RCFM}	Read cycle	450	-	ns	When read from GRAM
	t _{RDHF}	Control pulse "H" duration	90	-		
	t _{RDLF}	Control pulse "L" duration	355	-		
D17 to D0	t _{DST}	Data setup time	10	-	ns	For maximum C _L =30pF For minimum C _L =8pF
	t _{DHT}	Data hold time	10	-		
	t _{RAT}	Read access time (ID)	-	40		
	t _{RATFM}	Read access time (FM)	-	340		
	t _{ODH}	Output disable time	20	80		

Note: The input signal rise time and fall time (tr, tf) is specified at 15 ns or less.

Logic high and low levels are specified as 30% and 70% of IOVCC for Input signals.



7.7.3 Serial Interface Characteristics

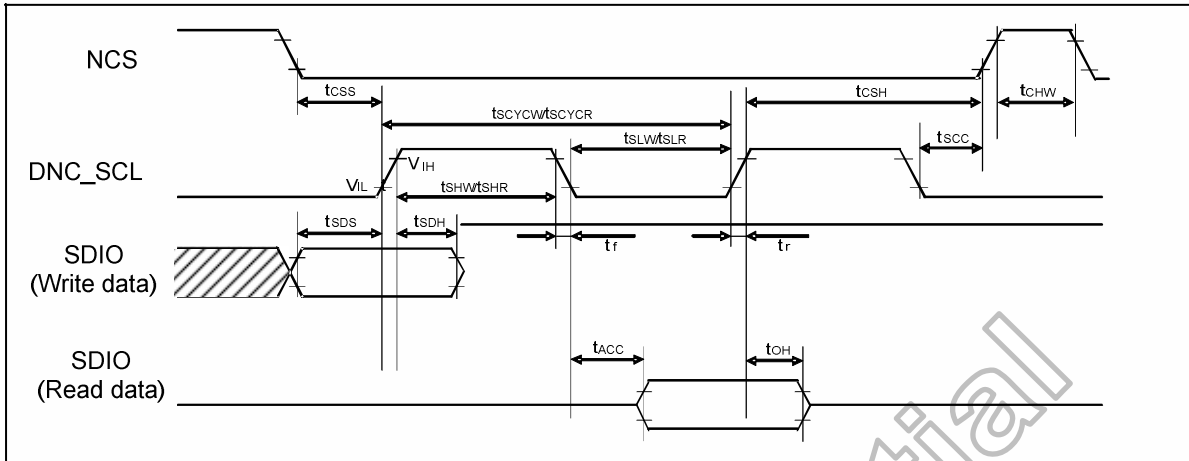
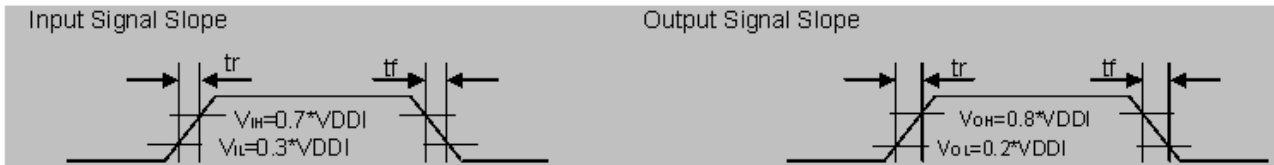


Figure7. 2 Serial Interface Characteristics

Parameter	Symbol	Conditions	Min.	Typ.	Maz.	Unit
Serial clock cycle (Write)	t _{SCYC W}		100	-	-	
DNC_SCL "H" pulse width (Write)	t _{SH W}	DNC_SCL	35	-	-	ns
DNC_SCL "L" pulse width (Write)	t _{SL W}		35	-	-	
Data setup time (Write)	t _{SD S}	SDIO	30	-	-	ns
Data hold time (Write)	t _{SD H}		30	-	-	
Serial clock cycle (Read)	t _{SCYC R}		150	-	-	
DNC_SCL "H" pulse width (Read)	t _{SH R}	DNC_SCL	60	-	-	ns
DNC_SCL "L" pulse width (Read)	t _{SL R}		60	-	-	
Access Time	t _{ACC}	SDIO for maximum C _L =30pF For minimum C _L =8pF	45	-	100	ns
Output disable time	t _{OH}	SDIO For maximum C _L =30pF For minimum C _L =8pF	15	-	100	ns
DNC_SCL to Chip select	t _{SCC}	DNC_SCL, NCS	15	-	-	ns
NCS "H" pulse width	t _{CH W}	NCS	45	-	-	ns
Chip select setup time	t _{CS S}		60	-	-	
Chip select hold time	t _{CS H}	NCS	65	-	-	ns

Note: The input signal rise time and fall time (tr, tf) is specified at 15 ns or less.

Logic high and low levels are specified as 30% and 70% of IOVCC for Input signals.



7.7.4 RGB Interface Characteristics

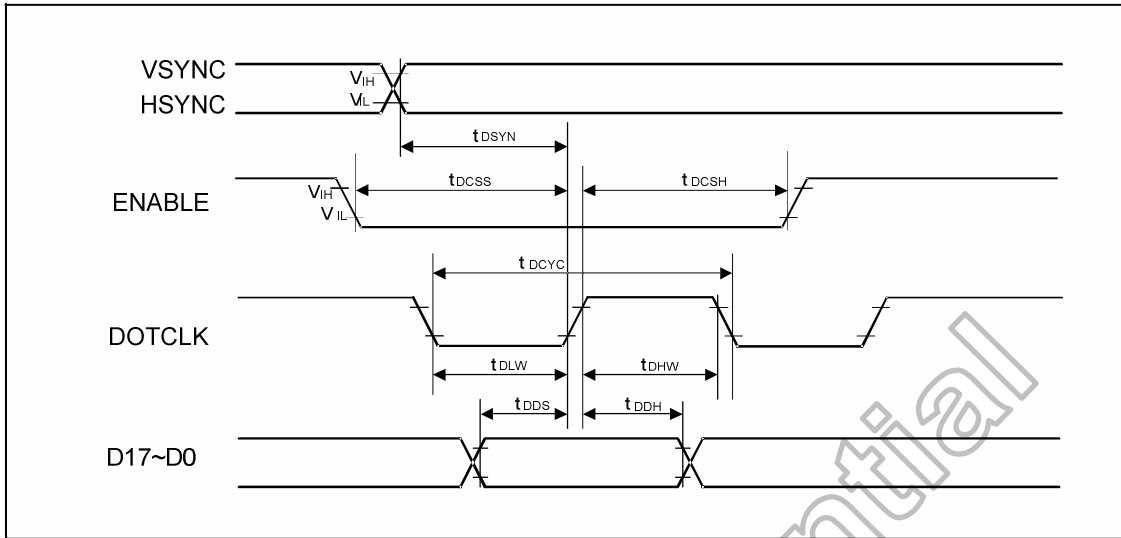


Figure 7. 3 RGB Interface Characteristics

Symbol	Parameter	Conditions	Related Pins	Min.	Typ.	Max.	Unit
t _{DCYC}	DOTCLK cycle time	VRR = Min . 50 Hz Max. 65 Hz	DOTCLK	60 (note2)	-	226 (note3)	ns
t _{DLW} t _{CHW}	DOTCLK Low time DOTCLK High time			15 15	- -	- -	ns
t _{DDS} t _{DDH}	RGB Data setup time RGB Data hold time	-	DOTCLK, D17-D0	15 15	- -	- -	ns
t _{DCSS} t _{DCSH}	ENABLE setup time ENABLE hold Time	-	ENABLE	15 15	- -	- -	ns
t _{DSYN}	SYNC setup time	-	DOTCLK, HSYNC, VSYNC	15	-	-	ns

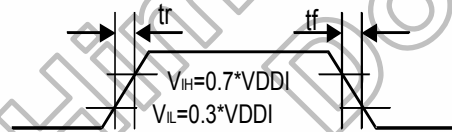
Note: (1) The input signal rise time and fall time (tr, tf) is specified at 15 ns or less.

(2) 16.6 MHz

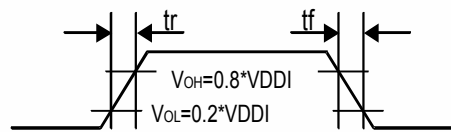
(3) 4.4MHz

Table 7. 3

Input Signal Slope



Output Signal Slope



7.7.5 Reset Input Timing

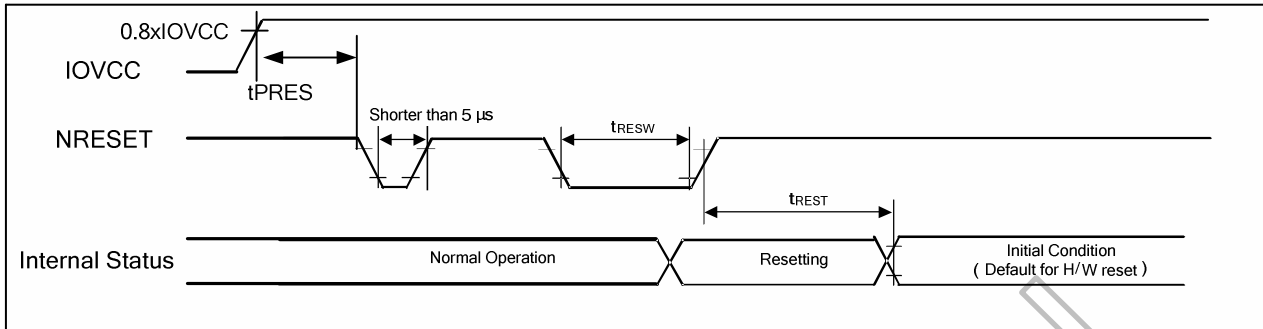


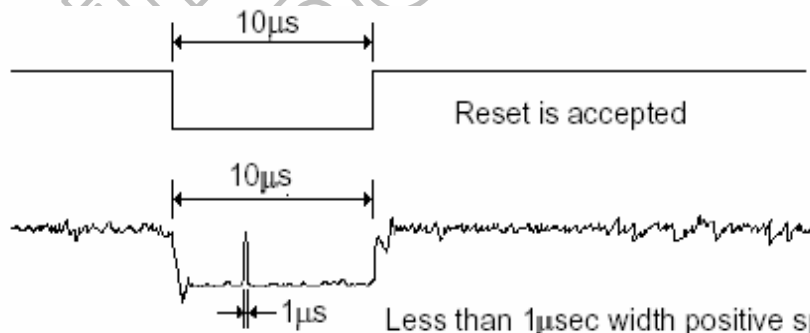
Figure 7. 1 Reset input timing

Symbol	Parameter	Related Pins	Min.	Typ.	Max.	Note	Unit
tRESW	Reset low pulse width ⁽¹⁾	NRESET	10	-	-	-	μs
tREST	Reset complete time ⁽²⁾	-	-	-	5	When reset applied during STB mode	ms
		-	-	-	120	When reset applied during STB mode	ms
tPRES	Reset goes high level after Power on time	NRESET & IOVCC	1	-	-	Reset goes high level after Power on	ms

Note: (1) Spike due to an electrostatic discharge on NRESET line does not cause irregular system reset according to the table below.

NRESET Pulse	Action
Shorter than 5 μ	Reset Rejected
Longer than 10 μs	Reset
Between 5 μs and 10 μs	Reset Start

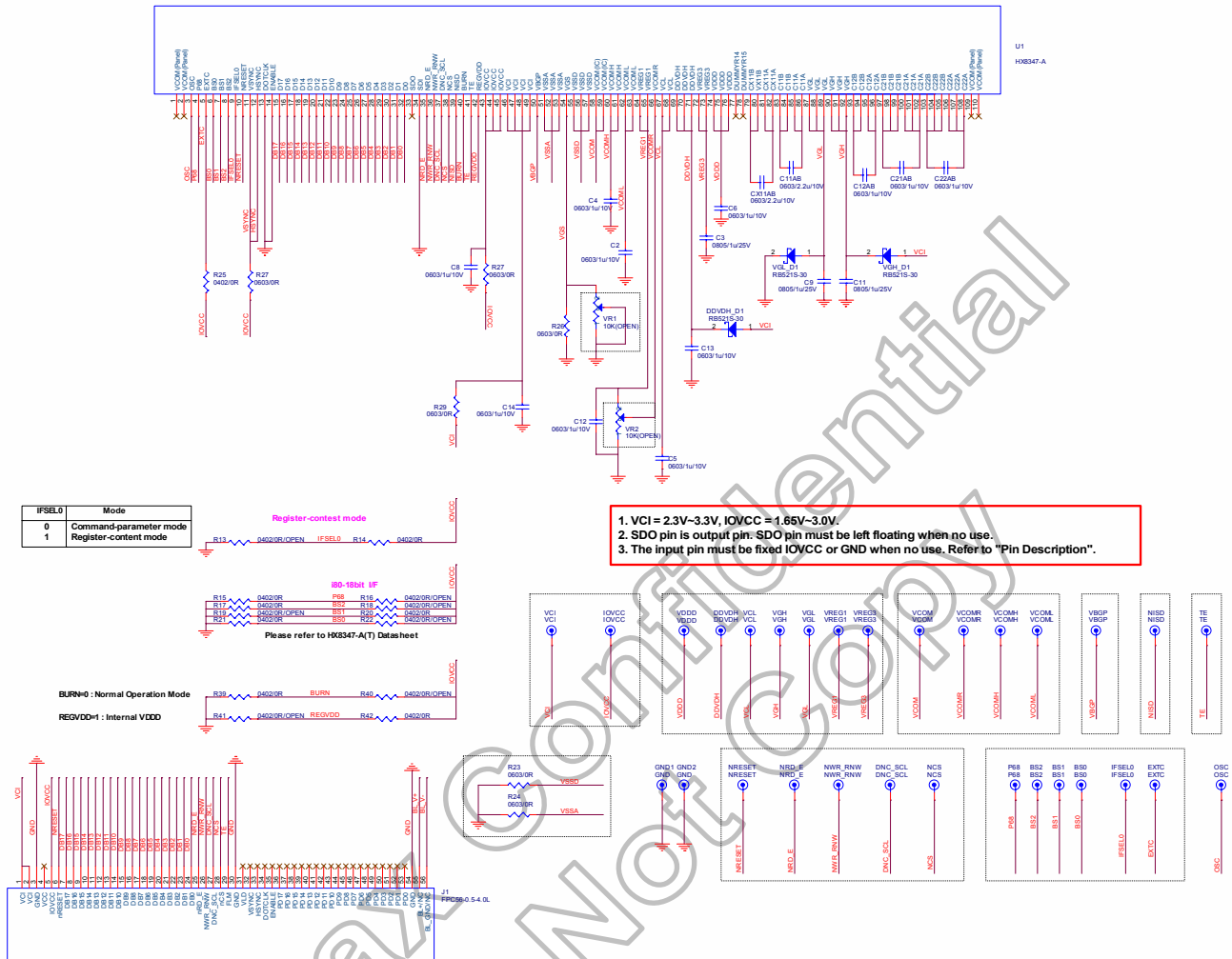
- (2) During the resetting period, the display will be blanked (The display is entering blanking sequence, which maximum time is 120 ms, when Reset Starts in STB Out –mode. The display remains the blank state in STB –mode) and then return to Default condition for H/W reset.
- (3) During Reset Complete Time, ID2 and VCOMOF value in OTP will be latched to internal register during this period. This loading is done every time when there is H/W reset complete time (tREST) within 5ms after a rising edge of NRESET.
- (4) Spike Rejection also applies during a valid reset pulse as shown below:



- (5) It is necessary to wait 5msec after releasing !RES before sending commands. Also STB Out command cannot be sent for 120msec.

8. Reference Applications

8.1 Register-Content Interface Mode



8.2 External Components Connection

Pad Name	Connection	Typical Capacitance Value
VCOMH	Connect to Capacitor (Max 6V): VCOMH---(+)- --- (-)----- VSSA	1.0 uF
VCOML	Connect to Capacitor (Max 3V): VCOML ---(-)- --- (+)----- VSSA	1.0 uF
VGL	Connect to Capacitor (Max 16V): VGL ---(-)- --- (+)----- VSSA	1.0 uF
VGH	Connect to Capacitor (Max 21V): VGH ---(+)- --- (-)----- VSSA	1.0 uF
VCL	Connect to Capacitor (Max 5V): VCL ---(-)- --- (+)----- VSSA	1.0 uF
C22A,C22B	Connect to Capacitor (Max 7V): C22A ---(+)- --- (-)-----C22B	1.0 uF
C21A,C21B	Connect to Capacitor (Max 7V): C21A ---(+)- --- (-)-----C21B	1.0 uF
CX11A,CX11B	Connect to Capacitor (Max 7V): CX11A ---(+)- --- (-)-----CX11B	2.2 uF
C11A,C11B	Connect to Capacitor (Max 5V): C11A ---(+)- --- (-)-----C11B	2.2 uF
C12A,C12B	Connect to Capacitor (Max 6V): C12A ---(+)- --- (-)-----C12B	1.0 uF
VREG1	Connect to Capacitor (Max 6V): VREG1 ---(+)- --- (-)-----VSSA	1.0 uF
VREG3	Connect to Capacitor (Max 7V): VREG3 ---(+)- --- (-)-----VSSA	1.0 uF
VDDD	Connect to Capacitor (Max 6V): VDDD ---(+)- --- (-)-----VSSA	1.0 uF
DDVDH	Connect to Capacitor (Max 6V): DDVDH ---(+)- --- (-)-----VSSA	1.0 uF
VCI	Connect to Capacitor (Max 6V): VCI ---(+)- --- (-)-----VSSA	2.2 uF
IOVCC	Connect to Capacitor (Max 6V): IOVCC ---(+)- --- (-)-----VSSA	2.2 uF

Table 8. 1 Connect Capacitors

Note: The above mentioned capacitors must be connected, otherwise it will cause poor display quality.

Component	Specification	Remarks
Diode	$V_F < 0.4V / 20mA @ 25^\circ C$, $V_R \geq 30V$ (Recommended diode: HSC226)	Connect to Schottky Diode
Variable Resistor (VCOMR)	$> 200K\Omega$	Connect to variable resistor while the VcomH1 is adjusted by external voltage input.

Table 8. 2 Connected Schottky Diode and Resistor

Note: The above mentioned components must be connected, otherwise it will cause poor display quality.

9. Ordering Information

Part No.	Package
HX8347-A000 <u>PDxxx</u>	PD : mean COG xxx : mean chip thickness (μm), (default: 400 μm)

10. Revision History

Version	Date	Description of Changes
01	2007/03/02	New setup(HX8347-A For Register-Content interface)
	2007/04/03	Modify BT[3:0] setting.
	2007/04/09	Update Gamma formula.
	2007/04/26	<ol style="list-style-type: none"> 1. Update AP[3:0] setting. 2. Add OPT programming sequence and Programming circuitry in P.73 3. Modify OTP memory table in P.72
	2007/05/04	<ol style="list-style-type: none"> 1. Modify IOVCC range to 1.65V ~ 3.0V 2. Modify Gamma formula. 3. Update 8.Reference Applications.

Himax Confidential
 Do Not Copy