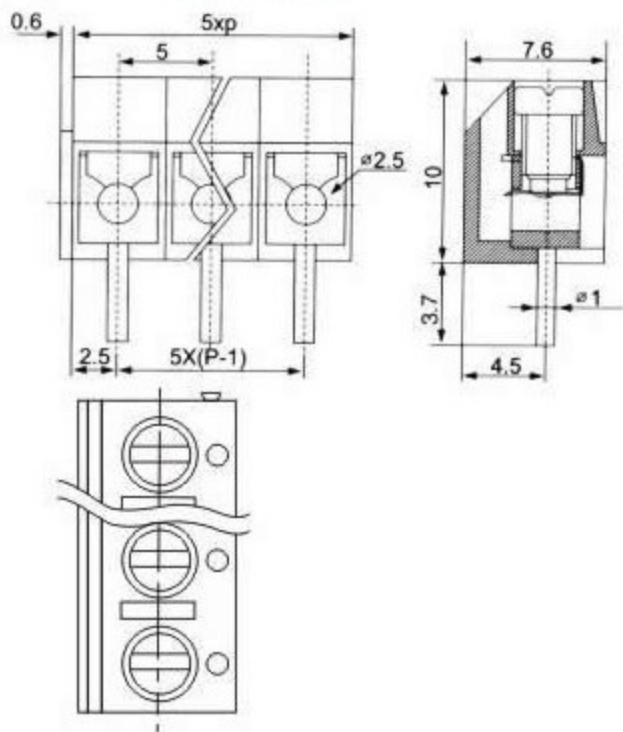




KF301



► Electrical

Rated voltage: 300V

Rated current: 16A

Contact resistance: 20m Ω

Insulation resistance: 5000M Ω /1000V

Withstanding Voltage: AC1500V/1Min

Wire range: 22-14A WG/2.5mm²

► Material

Pitch: 5.0mm

Poles: 2P、3P

Screws: M2.5 steel Zinc plated

Contact: phosphor bronze Ni plated
or stainless steel

Pin header: Brass, Tin plated

Housing: PBT, UL94V-0

► Mechanical

Temp.Range: -30 $^{\circ}$ C ~ +120 $^{\circ}$ C

MAX Soldering: +250 $^{\circ}$ C for 5 Sec.

Torque: 0.5Nm(3.6lb.in)

Strip length: 4.5-5mm