

12V DC 3RPM High Torque Electric Geared Box Motor



Motor size is small, slow speed, high torque, low noise, reversible, easy to install.

Specifications:

Type: Gear Motor

Material: Metal + Plastic

Rated Voltage: 12 V DC

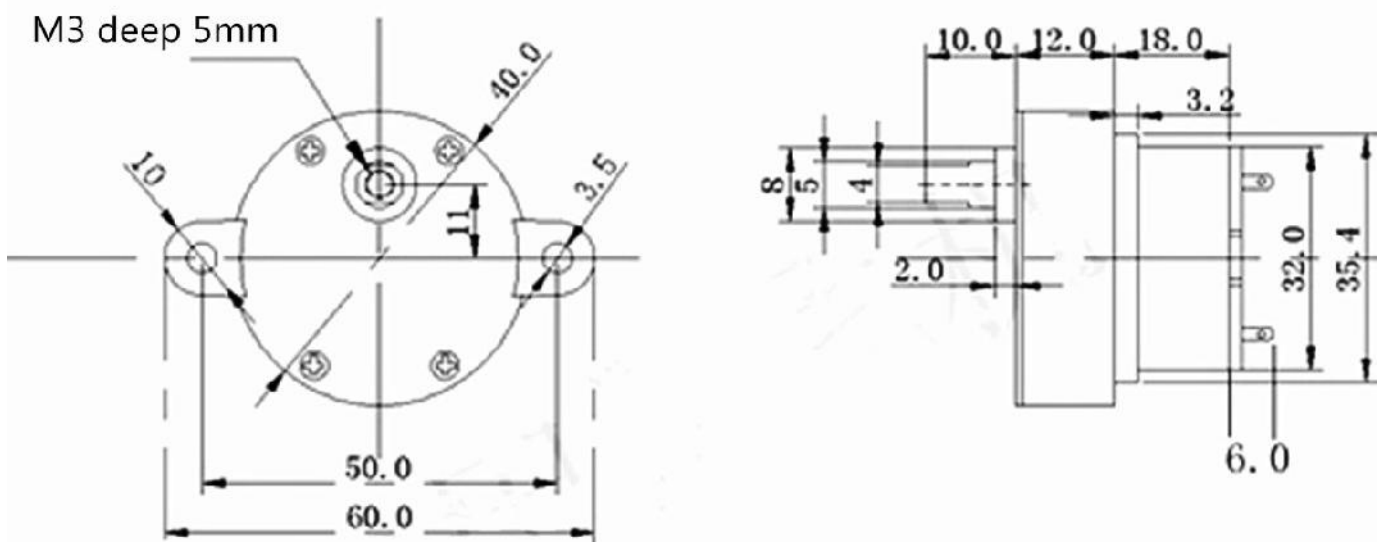
Speed(RPM): 3 RPM

Product Diameter: 42 mm

Shaft Diameter: 5 mm

Main Color: Silver + White

Reducer motor schematic diagram:



unit: mm