

SSD1289

Product Preview

240 RGB x 320 TFT Driver
Integrated Power, Gate and Source Driver With RAM

This document contains information on a product under development. Solomon Systech reserves the right to change or discontinue this product without notice.

<http://www.solomon-systech.com>

SSD1289 Series | Rev 0.32 | P 1/60 | Dec 2005

Copyright © 2005 **Solomon Systech Limited**



1 General Description

SSD1289 TFT Driver is an all in one driver that integrated the RAM, power circuits, gate driver and source driver into single chip. It can drive a 262k color a-TFT panel with resolution of 240 RGB x 320.

It also integrated the controller function and consists of up to 172,800 bytes (240 x 320 x 18 / 8) Graphic Display Data RAM (GDDRAM) such that it interfaced with common MCU through 8/9/16/18-bits 6800-series / 8080-series compatible Parallel Interface or Serial Interface and stored the data in the GDDRAM. Auxiliary 18-bits video interface (VSYNC, HSYNC, DOTCLK, ENABLE) are integrated into SSD1289 for displays animated image.

SSD1289 embeds DC-DC Converter and Voltage generator to provide all necessary voltage required by the driver with minimum external components. A Common Voltage Generation Circuit is included to drive the TFT-display counter electrode. An Integrated Gamma Control Circuit is also included that can be adjusted by software commands to provide maximum flexibility and optimal display quality.

SSD1289 can be operated down to 1.16V and provide different power save modes. It is suitable for any portable battery-driven applications requiring long operation period with compact size.

2 FEATURES

- Power Supply: $V_{DD} = 1.65\text{ V} - 1.95\text{ V}$ (non-regulated input for logic)
 $V_{DDIO} = 1.4\text{ V} - 3.6\text{ V}$ (regulated input for logic)
 $V_{CI} = 2.5\text{ V} - 3.6\text{ V}$ (power supply for internal analog circuit)
- Maximum Gate Driving Output Voltage: 30V p-p
- Source Driving Output Voltage: 0-5V
- Low Current Sleep Mode and 8-color display mode for power saving
- Display Size: 240 RGB x 320
- Display Color Support: 262k colors a-TFT displays
- 8/9/16/18-bits 6800-series / 8080-series Parallel Interface, Serial Peripheral Interface
- 18-bit RGB-Interface for animated displays (VSYNC, HSYNC, DOTCLK, DEN, and D0-17)
- On-Chip 172,800 bytes (240x320x18/8) Graphic Display Data RAM
- RAM write synchronization function
- Support Line and Frame Inversion
- Software selection on Center Screen Scrolling, Top Screen Scrolling, Bottom Screen Scrolling and Whole Screen Scrolling.
- Source and Gate scan direction control
- On-Chip Voltage Generator
- On-Chip DC-DC Converter up to 6x / -6x
- Programmable Gamma Correction Curve
- Non-Volatile Memory (OTP) for VCOM calibration
- Programmable Common Electrode Voltage amplitude and level for Cs on common structure
- Support Cs on gate structure
- Available in COG package

3 ORDERING INFORMATION

Table 1 – Ordering Information

Ordering Part Number	Source (x RGB)	Gate	Package Form	Reference
SSD1289Z	240	320	Gold Bump Die	

4 BLOCK DIAGRAM

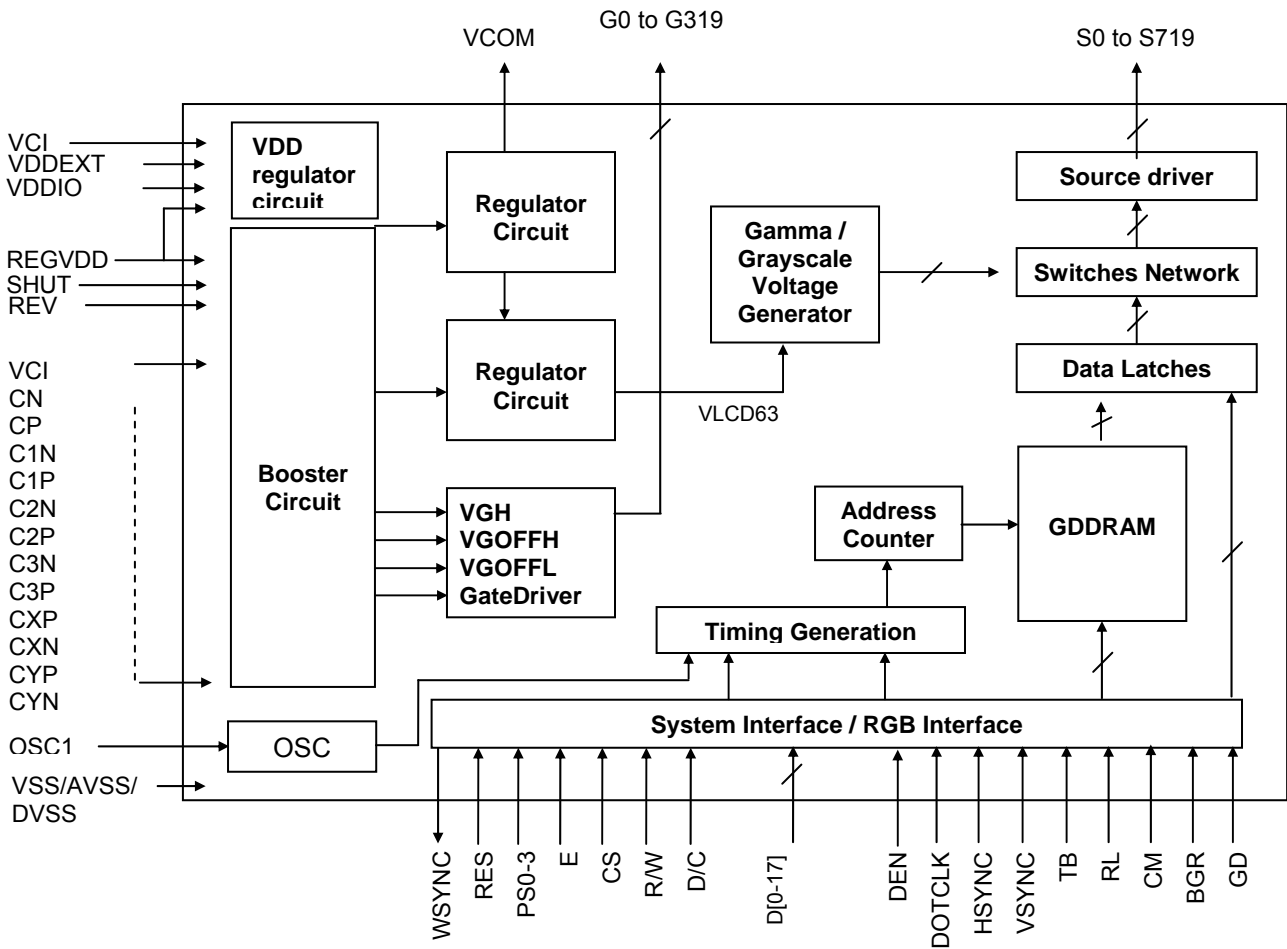


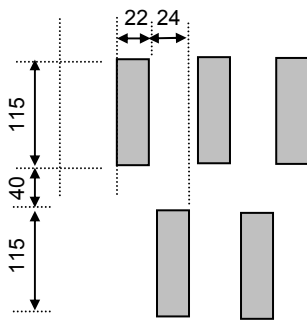
Figure 1. SSD1289 Block Diagram Description

5 DIE PAD FLOOR PLAN

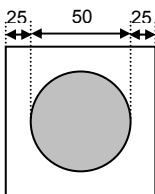
Die Information:

Die Size: 23984 x 1600 μm^2
 Die Thickness: 406 $\pm 25\mu\text{m}$
 Bump Height: 15 μm (Typ.)
 Tolerance: $\leq 3 \mu\text{m}$ within die
 Bump Size: 22 x 115 μm^2 (Gate and source outputs)
 Pad Pitch: 24 μm , stagger
 Bump Size: 55 x 117 μm^2 (Inputs)
 Pad Pitch: 85 μm , straight

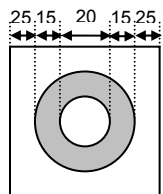
Output Pad Pitch (Gate and source):



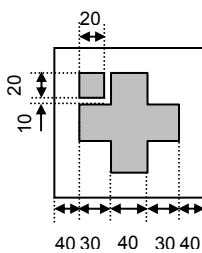
Alignment Marks:



Center: (11802,715.5)
 Size: 100 x 100 μm^2



Center: (-11802,715.5)
 Size: 100 x 100 μm^2



Center: (-11740,-549.5), (11740,-549.5)
 Size: 180 x 180 μm^2

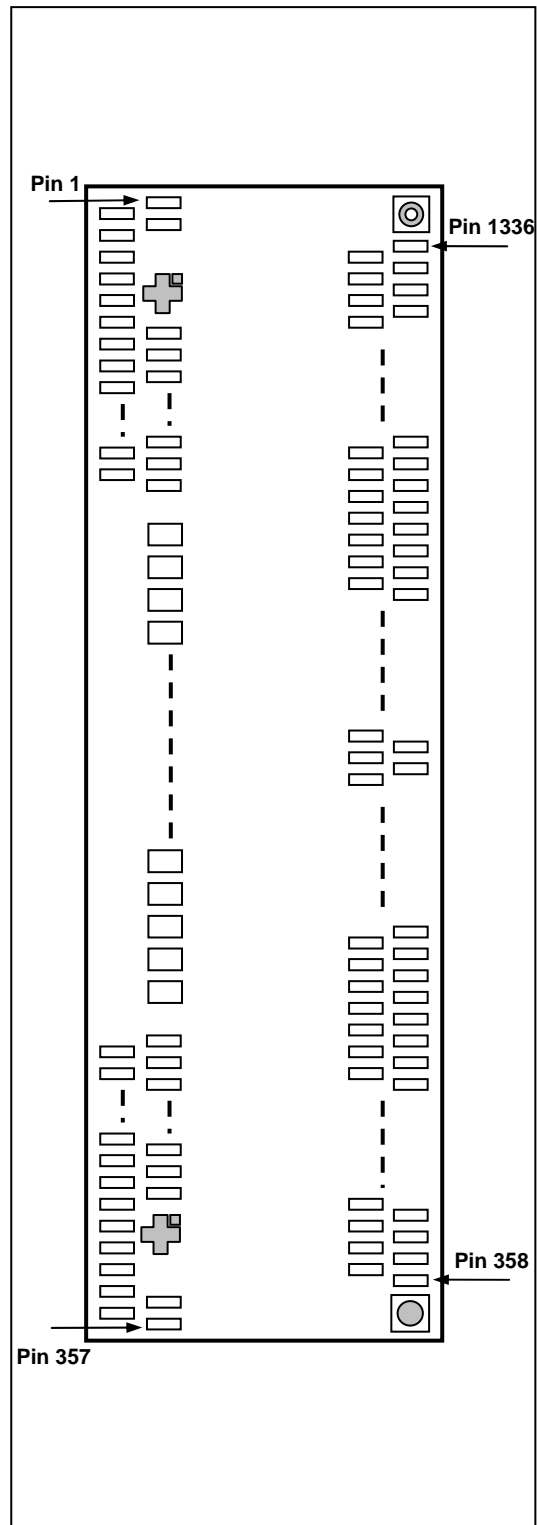


Figure 2. SSD1289 Pad Arrangement (Bump face up)

6 Pin Assignment

Table 2 – SSD1289 Pin Assignments (Coordinates are subjected to be changed)

Pad#	Signal	X-pos	Y-pos	Pad#	Signal	X-pos	Y-pos	Pad#	Signal	X-pos	Y-pos
1	NC	-11928	-547.5	68	C2N	-9435	-701.5	135	D17	-3740	-701.5
2	NC	-11904	-702.5	69	C2N	-9350	-701.5	136	D16	-3655	-701.5
3	NC	-11880	-547.5	70	C1P	-9265	-701.5	137	D16	-3570	-701.5
4	NC	-11856	-702.5	71	C1P	-9180	-701.5	138	D15	-3485	-701.5
5	NC	-11808	-702.5	72	C1N	-9095	-701.5	139	D15	-3400	-701.5
6	NC	-11760	-702.5	73	C1N	-9010	-701.5	140	D14	-3315	-701.5
7	NC	-11712	-702.5	74	CP	-8925	-701.5	141	D14	-3230	-701.5
8	NC	-11664	-702.5	75	CP	-8840	-701.5	142	D13	-3145	-701.5
9	THROUGH1	-11640	-547.5	76	CN	-8755	-701.5	143	D13	-3060	-701.5
10	THROUGH2	-11616	-702.5	77	CN	-8670	-701.5	144	D12	-2975	-701.5
11	G87	-11592	-547.5	78	C3P	-8585	-701.5	145	D12	-2890	-701.5
12	G85	-11568	-702.5	79	C3P	-8500	-701.5	146	D11	-2805	-701.5
13	G83	-11544	-547.5	80	C3P	-8415	-701.5	147	D11	-2720	-701.5
14	G81	-11520	-702.5	81	C3P	-8330	-701.5	148	D10	-2635	-701.5
15	G79	-11496	-547.5	82	C3N	-8245	-701.5	149	D10	-2550	-701.5
16	G77	-11472	-702.5	83	C3N	-8160	-701.5	150	D9	-2465	-701.5
17	G75	-11448	-547.5	84	C3N	-8075	-701.5	151	D9	-2380	-701.5
18	G73	-11424	-702.5	85	C3N	-7990	-701.5	152	D8	-2295	-701.5
19	G71	-11400	-547.5	86	VCI	-7905	-701.5	153	D8	-2210	-701.5
20	G69	-11376	-702.5	87	VCI	-7820	-701.5	154	D7	-2125	-701.5
21	G67	-11352	-547.5	88	VCI	-7735	-701.5	155	D7	-2040	-701.5
22	G65	-11328	-702.5	89	VCI	-7650	-701.5	156	D6	-1955	-701.5
23	G63	-11304	-547.5	90	VGL	-7565	-701.5	157	D6	-1870	-701.5
24	G61	-11280	-702.5	91	VGL	-7480	-701.5	158	D5	-1785	-701.5
25	G59	-11256	-547.5	92	VCHS	-7395	-701.5	159	D5	-1700	-701.5
26	G57	-11232	-702.5	93	VCHS	-7310	-701.5	160	D4	-1615	-701.5
27	G55	-11208	-547.5	94	VCHS	-7225	-701.5	161	D4	-1530	-701.5
28	G53	-11184	-702.5	95	VDDIO	-7140	-701.5	162	D3	-1445	-701.5
29	G51	-11160	-547.5	96	GD	-7055	-701.5	163	D3	-1360	-701.5
30	G49	-11136	-702.5	97	VSS	-6970	-701.5	164	D2	-1275	-701.5
31	G47	-11112	-547.5	98	CAD	-6885	-701.5	165	D2	-1190	-701.5
32	G45	-11088	-702.5	99	VDDIO	-6800	-701.5	166	D1	-1105	-701.5
33	G43	-11064	-547.5	100	REV	-6715	-701.5	167	D1	-1020	-701.5
34	G41	-11040	-702.5	101	VSS	-6630	-701.5	168	D0	-935	-701.5
35	G39	-11016	-547.5	102	GAMAS0	-6545	-701.5	169	D0	-850	-701.5
36	G37	-10992	-702.5	103	VDDIO	-6460	-701.5	170	/RD	-765	-701.5
37	G35	-10968	-547.5	104	GAMAS1	-6375	-701.5	171	/RD	-680	-701.5
38	G33	-10944	-702.5	105	VSS	-6290	-701.5	172	/WR	-595	-701.5
39	G31	-10920	-547.5	106	GAMAS2	-6205	-701.5	173	/WR	-510	-701.5
40	G29	-10896	-702.5	107	VDDIO	-6120	-701.5	174	DC	-425	-701.5
41	G27	-10872	-547.5	108	BGR	-6035	-701.5	175	DC	-340	-701.5
42	G25	-10848	-702.5	109	VSS	-5950	-701.5	176	SDO	-255	-701.5
43	G23	-10824	-547.5	110	TB	-5865	-701.5	177	SDO	-170	-701.5
44	G21	-10800	-702.5	111	VDDIO	-5780	-701.5	178	SDI	-85	-701.5
45	G19	-10776	-547.5	112	RL	-5695	-701.5	179	SDI	0	-701.5
46	G17	-10752	-702.5	113	VSS	-5610	-701.5	180	SCK	85	-701.5
47	G15	-10728	-547.5	114	REGVDD	-5525	-701.5	181	SCK	170	-701.5
48	G13	-10704	-702.5	115	VDDIO	-5440	-701.5	182	/CS	255	-701.5
49	G11	-10680	-547.5	116	PS2	-5355	-701.5	183	/CS	340	-701.5
50	G9	-10656	-702.5	117	VSS	-5270	-701.5	184	WSYNC	425	-701.5
51	G7	-10632	-547.5	118	PS1	-5185	-701.5	185	WSYNC	510	-701.5
52	G5	-10608	-702.5	119	VDDIO	-5100	-701.5	186	TESTA	595	-701.5
53	G3	-10584	-547.5	120	PS0	-5015	-701.5	187	TESTB	680	-701.5
54	G1	-10560	-702.5	121	PS3	-4930	-701.5	188	TESTC	765	-701.5
55	DUMMY	-10536	-547.5	122	SHUT	-4845	-701.5	189	EXTCLK	850	-701.5
56	NC	-10512	-702.5	123	CM	-4760	-701.5	190	LVVDD	935	-701.5
57	NC	-10488	-547.5	124	/RES	-4675	-701.5	191	LVVDD	1020	-701.5
58	DUMMY	-10285	-701.5	125	/RES	-4590	-701.5	192	VDD	1105	-701.5
59	VCOM	-10200	-701.5	126	VSYNC	-4505	-701.5	193	VDD	1190	-701.5
60	VCOM	-10115	-701.5	127	VSYNC	-4420	-701.5	194	LVVDDR	1275	-701.5
61	NC	-10030	-701.5	128	HSYNC	-4335	-701.5	195	LVVDDR	1360	-701.5
62	VGH	-9945	-701.5	129	HSYNC	-4250	-701.5	196	VDDRAM	1445	-701.5
63	VGH	-9860	-701.5	130	DOTCLK	-4165	-701.5	197	VDDRAM	1530	-701.5
64	VGH	-9775	-701.5	131	DOTCLK	-4080	-701.5	198	VDDEXT	1615	-701.5
65	VGH	-9690	-701.5	132	DEN	-3995	-701.5	199	VDDEXT	1700	-701.5
66	C2P	-9605	-701.5	133	DEN	-3910	-701.5	200	VDDEXT	1785	-701.5
67	C2P	-9520	-701.5	134	D17	-3825	-701.5	201	VDDEXT	1870	-701.5

Pad#	Signal	X-pos	Y-pos	Pad#	Signal	X-pos	Y-pos	Pad#	Signal	X-pos	Y-pos
202	VSSRC	1955	-701.5	269	VCIX2	7650	-701.5	336	G64	11328	-702.5
203	VSSRC	2040	-701.5	270	CYP	7735	-701.5	337	G66	11352	-547.5
204	CDUM0	2125	-701.5	271	CYP	7820	-701.5	338	G68	11376	-702.5
205	CDUM0	2210	-701.5	272	CYP	7905	-701.5	339	G70	11400	-547.5
206	CDUM1	2295	-701.5	273	CYP	7990	-701.5	340	G72	11424	-702.5
207	CDUM1	2380	-701.5	274	CYP	8075	-701.5	341	G74	11448	-547.5
208	VSS	2465	-701.5	275	CYP	8160	-701.5	342	G76	11472	-702.5
209	VSS	2550	-701.5	276	CYN	8245	-701.5	343	G78	11496	-547.5
210	VSS	2635	-701.5	277	CYN	8330	-701.5	344	G80	11520	-702.5
211	VSS	2720	-701.5	278	CYN	8415	-701.5	345	G82	11544	-547.5
212	VSS	2805	-701.5	279	CYN	8500	-701.5	346	G84	11568	-702.5
213	VSS	2890	-701.5	280	CYN	8585	-701.5	347	G86	11592	-547.5
214	VSS	2975	-701.5	281	CYN	8670	-701.5	348	THROUGH3	11616	-702.5
215	VSS	3060	-701.5	282	VCHS	8755	-701.5	349	THROUGH4	11640	-547.5
216	AVSS	3145	-701.5	283	VCHS	8840	-701.5	350	NC	11664	-702.5
217	AVSS	3230	-701.5	284	VCHS	8925	-701.5	351	NC	11712	-702.5
218	AVSS	3315	-701.5	285	VCHS	9010	-701.5	352	NC	11760	-702.5
219	AVSS	3400	-701.5	286	VCHS	9095	-701.5	353	NC	11808	-702.5
220	AVSS	3485	-701.5	287	VCHS	9180	-701.5	354	NC	11856	-702.5
221	AVSS	3570	-701.5	288	CXN	9265	-701.5	355	NC	11880	-547.5
222	VDDIO	3655	-701.5	289	CXN	9350	-701.5	356	NC	11904	-702.5
223	VDDIO	3740	-701.5	290	CXN	9435	-701.5	357	NC	11928	-547.5
224	VDDIO	3825	-701.5	291	CXP	9520	-701.5	358	DUMMY	11736	702.5
225	VDDIO	3910	-701.5	292	CXP	9605	-701.5	359	VGL	11712	547.5
226	VCI	3995	-701.5	293	CXP	9690	-701.5	360	DUMMY	11688	702.5
227	VCI	4080	-701.5	294	VGOFFH	9775	-701.5	361	DUMMY	11664	547.5
228	VCI	4165	-701.5	295	VGOFFH	9860	-701.5	362	THROUGH5	11640	702.5
229	VCI	4250	-701.5	296	VCOM	9945	-701.5	363	THROUGH6	11616	547.5
230	VCI	4335	-701.5	297	VCOM	10030	-701.5	364	G88	11592	702.5
231	VCI	4420	-701.5	298	VCOM	10115	-701.5	365	G90	11568	547.5
232	VCIP	4505	-701.5	299	VCOM	10200	-701.5	366	G92	11544	702.5
233	VCIP	4590	-701.5	300	VCOMR	10285	-701.5	367	G94	11520	547.5
234	VCIP	4675	-701.5	301	NC	10488	-547.5	368	G96	11496	702.5
235	VCIP	4760	-701.5	302	NC	10512	-702.5	369	G98	11472	547.5
236	VGOFFHL	4845	-701.5	303	GTESTR	10536	-547.5	370	G100	11448	702.5
237	VGOFFHL	4930	-701.5	304	G0	10560	-702.5	371	G102	11424	547.5
238	NC	5015	-701.5	305	G2	10584	-547.5	372	G104	11400	702.5
239	NC	5100	-701.5	306	G4	10608	-702.5	373	G106	11376	547.5
240	VLCD63	5185	-701.5	307	G6	10632	-547.5	374	G108	11352	702.5
241	VLCD63	5270	-701.5	308	G8	10656	-702.5	375	G110	11328	547.5
242	VLCD63	5355	-701.5	309	G10	10680	-547.5	376	G112	11304	702.5
243	VLCD63	5440	-701.5	310	G12	10704	-702.5	377	G114	11280	547.5
244	VCOML	5525	-701.5	311	G14	10728	-547.5	378	G116	11256	702.5
245	VCOML	5610	-701.5	312	G16	10752	-702.5	379	G118	11232	547.5
246	VCOML	5695	-701.5	313	G18	10776	-547.5	380	G120	11208	702.5
247	VCOML	5780	-701.5	314	G20	10800	-702.5	381	G122	11184	547.5
248	VCOMH	5865	-701.5	315	G22	10824	-547.5	382	G124	11160	702.5
249	VCOMH	5950	-701.5	316	G24	10848	-702.5	383	G126	11136	547.5
250	VCOMH	6035	-701.5	317	G26	10872	-547.5	384	G128	11112	702.5
251	VCOMH	6120	-701.5	318	G28	10896	-702.5	385	G130	11088	547.5
252	VCIM	6205	-701.5	319	G30	10920	-547.5	386	G132	11064	702.5
253	VCIM	6290	-701.5	320	G32	10944	-702.5	387	G134	11040	547.5
254	VCIM	6375	-701.5	321	G34	10968	-547.5	388	G136	11016	702.5
255	VCIM	6460	-701.5	322	G36	10992	-702.5	389	G138	10992	547.5
256	NC	6545	-701.5	323	G38	11016	-547.5	390	G140	10968	702.5
257	NC	6630	-701.5	324	G40	11040	-702.5	391	G142	10944	547.5
258	VCI	6715	-701.5	325	G42	11064	-547.5	392	G144	10920	702.5
259	VCI	6800	-701.5	326	G44	11088	-702.5	393	G146	10896	547.5
260	VCI	6885	-701.5	327	G46	11112	-547.5	394	G148	10872	702.5
261	VCI	6970	-701.5	328	G48	11136	-702.5	395	G150	10848	547.5
262	VCIX2J	7055	-701.5	329	G50	11160	-547.5	396	G152	10824	702.5
263	VCIX2J	7140	-701.5	330	G52	11184	-702.5	397	G154	10800	547.5
264	VCIX2G	7225	-701.5	331	G54	11208	-547.5	398	G156	10776	702.5
265	VCIX2G	7310	-701.5	332	G56	11232	-702.5	399	G158	10752	547.5
266	VCIX2	7395	-701.5	333	G58	11256	-547.5	400	G160	10728	702.5
267	VCIX2	7480	-701.5	334	G60	11280	-702.5	401	G162	10704	547.5
268	VCIX2	7565	-701.5	335	G62	11304	-547.5	402	G164	10680	702.5

Pad#	Signal	X-pos	Y-pos	Pad#	Signal	X-pos	Y-pos	Pad#	Signal	X-pos	Y-pos
403	G166	10656	547.5	470	G300	9048	702.5	537	S669	7440	547.5
404	G168	10632	702.5	471	G302	9024	547.5	538	S668	7416	702.5
405	G170	10608	547.5	472	G304	9000	702.5	539	S667	7392	547.5
406	G172	10584	702.5	473	G306	8976	547.5	540	S666	7368	702.5
407	G174	10560	547.5	474	G308	8952	702.5	541	S665	7344	547.5
408	G176	10536	702.5	475	G310	8928	547.5	542	S664	7320	702.5
409	G178	10512	547.5	476	G312	8904	702.5	543	S663	7296	547.5
410	G180	10488	702.5	477	G314	8880	547.5	544	S662	7272	702.5
411	G182	10464	547.5	478	G316	8856	702.5	545	S661	7248	547.5
412	G184	10440	702.5	479	G318	8832	547.5	546	S660	7224	702.5
413	G186	10416	547.5	480	DUMMY	8808	702.5	547	S659	7200	547.5
414	G188	10392	702.5	481	DUMMY	8784	547.5	548	S658	7176	702.5
415	G190	10368	547.5	482	VCOM	8760	702.5	549	S657	7152	547.5
416	G192	10344	702.5	483	VCOM	8736	547.5	550	S656	7128	702.5
417	G194	10320	547.5	484	DUMMY	8712	702.5	551	S655	7104	547.5
418	G196	10296	702.5	485	DUMMY	8688	547.5	552	S654	7080	702.5
419	G198	10272	547.5	486	DUMMY	8664	702.5	553	S653	7056	547.5
420	G200	10248	702.5	487	S719	8640	547.5	554	S652	7032	702.5
421	G202	10224	547.5	488	S718	8616	702.5	555	S651	7008	547.5
422	G204	10200	702.5	489	S717	8592	547.5	556	S650	6984	702.5
423	G206	10176	547.5	490	S716	8568	702.5	557	S649	6960	547.5
424	G208	10152	702.5	491	S715	8544	547.5	558	S648	6936	702.5
425	G210	10128	547.5	492	S714	8520	702.5	559	S647	6912	547.5
426	G212	10104	702.5	493	S713	8496	547.5	560	S646	6888	702.5
427	G214	10080	547.5	494	S712	8472	702.5	561	S645	6864	547.5
428	G216	10056	702.5	495	S711	8448	547.5	562	S644	6840	702.5
429	G218	10032	547.5	496	S710	8424	702.5	563	S643	6816	547.5
430	G220	10008	702.5	497	S709	8400	547.5	564	S642	6792	702.5
431	G222	9984	547.5	498	S708	8376	702.5	565	S641	6768	547.5
432	G224	9960	702.5	499	S707	8352	547.5	566	S640	6744	702.5
433	G226	9936	547.5	500	S706	8328	702.5	567	S639	6720	547.5
434	G228	9912	702.5	501	S705	8304	547.5	568	S638	6696	702.5
435	G230	9888	547.5	502	S704	8280	702.5	569	S637	6672	547.5
436	G232	9864	702.5	503	S703	8256	547.5	570	S636	6648	702.5
437	G234	9840	547.5	504	S702	8232	702.5	571	S635	6624	547.5
438	G236	9816	702.5	505	S701	8208	547.5	572	S634	6600	702.5
439	G238	9792	547.5	506	S700	8184	702.5	573	S633	6576	547.5
440	G240	9768	702.5	507	S699	8160	547.5	574	S632	6552	702.5
441	G242	9744	547.5	508	S698	8136	702.5	575	S631	6528	547.5
442	G244	9720	702.5	509	S697	8112	547.5	576	S630	6504	702.5
443	G246	9696	547.5	510	S696	8088	702.5	577	S629	6480	547.5
444	G248	9672	702.5	511	S695	8064	547.5	578	S628	6456	702.5
445	G250	9648	547.5	512	S694	8040	702.5	579	S627	6432	547.5
446	G252	9624	702.5	513	S693	8016	547.5	580	S626	6408	702.5
447	G254	9600	547.5	514	S692	7992	702.5	581	S625	6384	547.5
448	G256	9576	702.5	515	S691	7968	547.5	582	S624	6360	702.5
449	G258	9552	547.5	516	S690	7944	702.5	583	S623	6336	547.5
450	G260	9528	702.5	517	S689	7920	547.5	584	S622	6312	702.5
451	G262	9504	547.5	518	S688	7896	702.5	585	S621	6288	547.5
452	G264	9480	702.5	519	S687	7872	547.5	586	S620	6264	702.5
453	G266	9456	547.5	520	S686	7848	702.5	587	S619	6240	547.5
454	G268	9432	702.5	521	S685	7824	547.5	588	S618	6216	702.5
455	G270	9408	547.5	522	S684	7800	702.5	589	S617	6192	547.5
456	G272	9384	702.5	523	S683	7776	547.5	590	S616	6168	702.5
457	G274	9360	547.5	524	S682	7752	702.5	591	S615	6144	547.5
458	G276	9336	702.5	525	S681	7728	547.5	592	S614	6120	702.5
459	G278	9312	547.5	526	S680	7704	702.5	593	S613	6096	547.5
460	G280	9288	702.5	527	S679	7680	547.5	594	S612	6072	702.5
461	G282	9264	547.5	528	S678	7656	702.5	595	S611	6048	547.5
462	G284	9240	702.5	529	S677	7632	547.5	596	S610	6024	702.5
463	G286	9216	547.5	530	S676	7608	702.5	597	S609	6000	547.5
464	G288	9192	702.5	531	S675	7584	547.5	598	S608	5976	702.5
465	G290	9168	547.5	532	S674	7560	702.5	599	S607	5952	547.5
466	G292	9144	702.5	533	S673	7536	547.5	600	S606	5928	702.5
467	G294	9120	547.5	534	S672	7512	702.5	601	S605	5904	547.5
468	G296	9096	702.5	535	S671	7488	547.5	602	S604	5880	702.5
469	G298	9072	547.5	536	S670	7464	702.5	603	S603	5856	547.5

Pad#	Signal	X-pos	Y-pos	Pad#	Signal	X-pos	Y-pos	Pad#	Signal	X-pos	Y-pos
604	S602	5832	702.5	671	S535	4224	547.5	738	S468	2616	702.5
605	S601	5808	547.5	672	S534	4200	702.5	739	S467	2592	547.5
606	S600	5784	702.5	673	S533	4176	547.5	740	S466	2568	702.5
607	S599	5760	547.5	674	S532	4152	702.5	741	S465	2544	547.5
608	S598	5736	702.5	675	S531	4128	547.5	742	S464	2520	702.5
609	S597	5712	547.5	676	S530	4104	702.5	743	S463	2496	547.5
610	S596	5688	702.5	677	S529	4080	547.5	744	S462	2472	702.5
611	S595	5664	547.5	678	S528	4056	702.5	745	S461	2448	547.5
612	S594	5640	702.5	679	S527	4032	547.5	746	S460	2424	702.5
613	S593	5616	547.5	680	S526	4008	702.5	747	S459	2400	547.5
614	S592	5592	702.5	681	S525	3984	547.5	748	S458	2376	702.5
615	S591	5568	547.5	682	S524	3960	702.5	749	S457	2352	547.5
616	S590	5544	702.5	683	S523	3936	547.5	750	S456	2328	702.5
617	S589	5520	547.5	684	S522	3912	702.5	751	S455	2304	547.5
618	S588	5496	702.5	685	S521	3888	547.5	752	S454	2280	702.5
619	S587	5472	547.5	686	S520	3864	702.5	753	S453	2256	547.5
620	S586	5448	702.5	687	S519	3840	547.5	754	S452	2232	702.5
621	S585	5424	547.5	688	S518	3816	702.5	755	S451	2208	547.5
622	S584	5400	702.5	689	S517	3792	547.5	756	S450	2184	702.5
623	S583	5376	547.5	690	S516	3768	702.5	757	S449	2160	547.5
624	S582	5352	702.5	691	S515	3744	547.5	758	S448	2136	702.5
625	S581	5328	547.5	692	S514	3720	702.5	759	S447	2112	547.5
626	S580	5304	702.5	693	S513	3696	547.5	760	S446	2088	702.5
627	S579	5280	547.5	694	S512	3672	702.5	761	S445	2064	547.5
628	S578	5256	702.5	695	S511	3648	547.5	762	S444	2040	702.5
629	S577	5232	547.5	696	S510	3624	702.5	763	S443	2016	547.5
630	S576	5208	702.5	697	S509	3600	547.5	764	S442	1992	702.5
631	S575	5184	547.5	698	S508	3576	702.5	765	S441	1968	547.5
632	S574	5160	702.5	699	S507	3552	547.5	766	S440	1944	702.5
633	S573	5136	547.5	700	S506	3528	702.5	767	S439	1920	547.5
634	S572	5112	702.5	701	S505	3504	547.5	768	S438	1896	702.5
635	S571	5088	547.5	702	S504	3480	702.5	769	S437	1872	547.5
636	S570	5064	702.5	703	S503	3456	547.5	770	S436	1848	702.5
637	S569	5040	547.5	704	S502	3432	702.5	771	S435	1824	547.5
638	S568	5016	702.5	705	S501	3408	547.5	772	S434	1800	702.5
639	S567	4992	547.5	706	S500	3384	702.5	773	S433	1776	547.5
640	S566	4968	702.5	707	S499	3360	547.5	774	S432	1752	702.5
641	S565	4944	547.5	708	S498	3336	702.5	775	S431	1728	547.5
642	S564	4920	702.5	709	S497	3312	547.5	776	S430	1704	702.5
643	S563	4896	547.5	710	S496	3288	702.5	777	S429	1680	547.5
644	S562	4872	702.5	711	S495	3264	547.5	778	S428	1656	702.5
645	S561	4848	547.5	712	S494	3240	702.5	779	S427	1632	547.5
646	S560	4824	702.5	713	S493	3216	547.5	780	S426	1608	702.5
647	S559	4800	547.5	714	S492	3192	702.5	781	S425	1584	547.5
648	S558	4776	702.5	715	S491	3168	547.5	782	S424	1560	702.5
649	S557	4752	547.5	716	S490	3144	702.5	783	S423	1536	547.5
650	S556	4728	702.5	717	S489	3120	547.5	784	S422	1512	702.5
651	S555	4704	547.5	718	S488	3096	702.5	785	S421	1488	547.5
652	S554	4680	702.5	719	S487	3072	547.5	786	S420	1464	702.5
653	S553	4656	547.5	720	S486	3048	702.5	787	S419	1440	547.5
654	S552	4632	702.5	721	S485	3024	547.5	788	S418	1416	702.5
655	S551	4608	547.5	722	S484	3000	702.5	789	S417	1392	547.5
656	S550	4584	702.5	723	S483	2976	547.5	790	S416	1368	702.5
657	S549	4560	547.5	724	S482	2952	702.5	791	S415	1344	547.5
658	S548	4536	702.5	725	S481	2928	547.5	792	S414	1320	702.5
659	S547	4512	547.5	726	S480	2904	702.5	793	S413	1296	547.5
660	S546	4488	702.5	727	S479	2880	547.5	794	S412	1272	702.5
661	S545	4464	547.5	728	S478	2856	702.5	795	S411	1248	547.5
662	S544	4440	702.5	729	S477	2832	547.5	796	S410	1224	702.5
663	S543	4416	547.5	730	S476	2808	702.5	797	S409	1200	547.5
664	S542	4392	702.5	731	S475	2784	547.5	798	S408	1176	702.5
665	S541	4368	547.5	732	S474	2760	702.5	799	S407	1152	547.5
666	S540	4344	702.5	733	S473	2736	547.5	800	S406	1128	702.5
667	S539	4320	547.5	734	S472	2712	702.5	801	S405	1104	547.5
668	S538	4296	702.5	735	S471	2688	547.5	802	S404	1080	702.5
669	S537	4272	547.5	736	S470	2664	702.5	803	S403	1056	547.5
670	S536	4248	702.5	737	S469	2640	547.5	804	S402	1032	702.5

Pad#	Signal	X-pos	Y-pos	Pad#	Signal	X-pos	Y-pos	Pad#	Signal	X-pos	Y-pos
805	S401	1008	547.5	872	S335	-600	702.5	939	S268	-2208	547.5
806	S400	984	702.5	873	S334	-624	547.5	940	S267	-2232	702.5
807	S399	960	547.5	874	S333	-648	702.5	941	S266	-2256	547.5
808	S398	936	702.5	875	S332	-672	547.5	942	S265	-2280	702.5
809	S397	912	547.5	876	S331	-696	702.5	943	S264	-2304	547.5
810	S396	888	702.5	877	S330	-720	547.5	944	S263	-2328	702.5
811	S395	864	547.5	878	S329	-744	702.5	945	S262	-2352	547.5
812	S394	840	702.5	879	S328	-768	547.5	946	S261	-2376	702.5
813	S393	816	547.5	880	S327	-792	702.5	947	S260	-2400	547.5
814	S392	792	702.5	881	S326	-816	547.5	948	S259	-2424	702.5
815	S391	768	547.5	882	S325	-840	702.5	949	S258	-2448	547.5
816	S390	744	702.5	883	S324	-864	547.5	950	S257	-2472	702.5
817	S389	720	547.5	884	S323	-888	702.5	951	S256	-2496	547.5
818	S388	696	702.5	885	S322	-912	547.5	952	S255	-2520	702.5
819	S387	672	547.5	886	S321	-936	702.5	953	S254	-2544	547.5
820	S386	648	702.5	887	S320	-960	547.5	954	S253	-2568	702.5
821	S385	624	547.5	888	S319	-984	702.5	955	S252	-2592	547.5
822	S384	600	702.5	889	S318	-1008	547.5	956	S251	-2616	702.5
823	S383	576	547.5	890	S317	-1032	702.5	957	S250	-2640	547.5
824	S382	552	702.5	891	S316	-1056	547.5	958	S249	-2664	702.5
825	S381	528	547.5	892	S315	-1080	702.5	959	S248	-2688	547.5
826	S380	504	702.5	893	S314	-1104	547.5	960	S247	-2712	702.5
827	S379	480	547.5	894	S313	-1128	702.5	961	S246	-2736	547.5
828	S378	456	702.5	895	S312	-1152	547.5	962	S245	-2760	702.5
829	S377	432	547.5	896	S311	-1176	702.5	963	S244	-2784	547.5
830	S376	408	702.5	897	S310	-1200	547.5	964	S243	-2808	702.5
831	S375	384	547.5	898	S309	-1224	702.5	965	S242	-2832	547.5
832	S374	360	702.5	899	S308	-1248	547.5	966	S241	-2856	702.5
833	S373	336	547.5	900	S307	-1272	702.5	967	S240	-2880	547.5
834	S372	312	702.5	901	S306	-1296	547.5	968	S239	-2904	702.5
835	S371	288	547.5	902	S305	-1320	702.5	969	S238	-2928	547.5
836	S370	264	702.5	903	S304	-1344	547.5	970	S237	-2952	702.5
837	S369	240	547.5	904	S303	-1368	702.5	971	S236	-2976	547.5
838	S368	216	702.5	905	S302	-1392	547.5	972	S235	-3000	702.5
839	S367	192	547.5	906	S301	-1416	702.5	973	S234	-3024	547.5
840	S366	168	702.5	907	S300	-1440	547.5	974	S233	-3048	702.5
841	S365	144	547.5	908	S299	-1464	702.5	975	S232	-3072	547.5
842	S364	120	702.5	909	S298	-1488	547.5	976	S231	-3096	702.5
843	S363	96	547.5	910	S297	-1512	702.5	977	S230	-3120	547.5
844	S362	72	702.5	911	S296	-1536	547.5	978	S229	-3144	702.5
845	S361	48	547.5	912	S295	-1560	702.5	979	S228	-3168	547.5
846	S360	24	702.5	913	S294	-1584	547.5	980	S227	-3192	702.5
847	DUMMY	0	547.5	914	S293	-1608	702.5	981	S226	-3216	547.5
848	S359	-24	702.5	915	S292	-1632	547.5	982	S225	-3240	702.5
849	S358	-48	547.5	916	S291	-1656	702.5	983	S224	-3264	547.5
850	S357	-72	702.5	917	S290	-1680	547.5	984	S223	-3288	702.5
851	S356	-96	547.5	918	S289	-1704	702.5	985	S222	-3312	547.5
852	S355	-120	702.5	919	S288	-1728	547.5	986	S221	-3336	702.5
853	S354	-144	547.5	920	S287	-1752	702.5	987	S220	-3360	547.5
854	S353	-168	702.5	921	S286	-1776	547.5	988	S219	-3384	702.5
855	S352	-192	547.5	922	S285	-1800	702.5	989	S218	-3408	547.5
856	S351	-216	702.5	923	S284	-1824	547.5	990	S217	-3432	702.5
857	S350	-240	547.5	924	S283	-1848	702.5	991	S216	-3456	547.5
858	S349	-264	702.5	925	S282	-1872	547.5	992	S215	-3480	702.5
859	S348	-288	547.5	926	S281	-1896	702.5	993	S214	-3504	547.5
860	S347	-312	702.5	927	S280	-1920	547.5	994	S213	-3528	702.5
861	S346	-336	547.5	928	S279	-1944	702.5	995	S212	-3552	547.5
862	S345	-360	702.5	929	S278	-1968	547.5	996	S211	-3576	702.5
863	S344	-384	547.5	930	S277	-1992	702.5	997	S210	-3600	547.5
864	S343	-408	702.5	931	S276	-2016	547.5	998	S209	-3624	702.5
865	S342	-432	547.5	932	S275	-2040	702.5	999	S208	-3648	547.5
866	S341	-456	702.5	933	S274	-2064	547.5	1000	S207	-3672	702.5
867	S340	-480	547.5	934	S273	-2088	702.5	1001	S206	-3696	547.5
868	S339	-504	702.5	935	S272	-2112	547.5	1002	S205	-3720	702.5
869	S338	-528	547.5	936	S271	-2136	702.5	1003	S204	-3744	547.5
870	S337	-552	702.5	937	S270	-2160	547.5	1004	S203	-3768	702.5
871	S336	-576	547.5	938	S269	-2184	702.5	1005	S202	-3792	547.5

Pad#	Signal	X-pos	Y-pos	Pad#	Signal	X-pos	Y-pos	Pad#	Signal	X-pos	Y-pos
1006	S201	-3816	702.5	1073	S134	-5424	547.5	1140	S67	-7032	702.5
1007	S200	-3840	547.5	1074	S133	-5448	702.5	1141	S66	-7056	547.5
1008	S199	-3864	702.5	1075	S132	-5472	547.5	1142	S65	-7080	702.5
1009	S198	-3888	547.5	1076	S131	-5496	702.5	1143	S64	-7104	547.5
1010	S197	-3912	702.5	1077	S130	-5520	547.5	1144	S63	-7128	702.5
1011	S196	-3936	547.5	1078	S129	-5544	702.5	1145	S62	-7152	547.5
1012	S195	-3960	702.5	1079	S128	-5568	547.5	1146	S61	-7176	702.5
1013	S194	-3984	547.5	1080	S127	-5592	702.5	1147	S60	-7200	547.5
1014	S193	-4008	702.5	1081	S126	-5616	547.5	1148	S59	-7224	702.5
1015	S192	-4032	547.5	1082	S125	-5640	702.5	1149	S58	-7248	547.5
1016	S191	-4056	702.5	1083	S124	-5664	547.5	1150	S57	-7272	702.5
1017	S190	-4080	547.5	1084	S123	-5688	702.5	1151	S56	-7296	547.5
1018	S189	-4104	702.5	1085	S122	-5712	547.5	1152	S55	-7320	702.5
1019	S188	-4128	547.5	1086	S121	-5736	702.5	1153	S54	-7344	547.5
1020	S187	-4152	702.5	1087	S120	-5760	547.5	1154	S53	-7368	702.5
1021	S186	-4176	547.5	1088	S119	-5784	702.5	1155	S52	-7392	547.5
1022	S185	-4200	702.5	1089	S118	-5808	547.5	1156	S51	-7416	702.5
1023	S184	-4224	547.5	1090	S117	-5832	702.5	1157	S50	-7440	547.5
1024	S183	-4248	702.5	1091	S116	-5856	547.5	1158	S49	-7464	702.5
1025	S182	-4272	547.5	1092	S115	-5880	702.5	1159	S48	-7488	547.5
1026	S181	-4296	702.5	1093	S114	-5904	547.5	1160	S47	-7512	702.5
1027	S180	-4320	547.5	1094	S113	-5928	702.5	1161	S46	-7536	547.5
1028	S179	-4344	702.5	1095	S112	-5952	547.5	1162	S45	-7560	702.5
1029	S178	-4368	547.5	1096	S111	-5976	702.5	1163	S44	-7584	547.5
1030	S177	-4392	702.5	1097	S110	-6000	547.5	1164	S43	-7608	702.5
1031	S176	-4416	547.5	1098	S109	-6024	702.5	1165	S42	-7632	547.5
1032	S175	-4440	702.5	1099	S108	-6048	547.5	1166	S41	-7656	702.5
1033	S174	-4464	547.5	1100	S107	-6072	702.5	1167	S40	-7680	547.5
1034	S173	-4488	702.5	1101	S106	-6096	547.5	1168	S39	-7704	702.5
1035	S172	-4512	547.5	1102	S105	-6120	702.5	1169	S38	-7728	547.5
1036	S171	-4536	702.5	1103	S104	-6144	547.5	1170	S37	-7752	702.5
1037	S170	-4560	547.5	1104	S103	-6168	702.5	1171	S36	-7776	547.5
1038	S169	-4584	702.5	1105	S102	-6192	547.5	1172	S35	-7800	702.5
1039	S168	-4608	547.5	1106	S101	-6216	702.5	1173	S34	-7824	547.5
1040	S167	-4632	702.5	1107	S100	-6240	547.5	1174	S33	-7848	702.5
1041	S166	-4656	547.5	1108	S99	-6264	702.5	1175	S32	-7872	547.5
1042	S165	-4680	702.5	1109	S98	-6288	547.5	1176	S31	-7896	702.5
1043	S164	-4704	547.5	1110	S97	-6312	702.5	1177	S30	-7920	547.5
1044	S163	-4728	702.5	1111	S96	-6336	547.5	1178	S29	-7944	702.5
1045	S162	-4752	547.5	1112	S95	-6360	702.5	1179	S28	-7968	547.5
1046	S161	-4776	702.5	1113	S94	-6384	547.5	1180	S27	-7992	702.5
1047	S160	-4800	547.5	1114	S93	-6408	702.5	1181	S26	-8016	547.5
1048	S159	-4824	702.5	1115	S92	-6432	547.5	1182	S25	-8040	702.5
1049	S158	-4848	547.5	1116	S91	-6456	702.5	1183	S24	-8064	547.5
1050	S157	-4872	702.5	1117	S90	-6480	547.5	1184	S23	-8088	702.5
1051	S156	-4896	547.5	1118	S89	-6504	702.5	1185	S22	-8112	547.5
1052	S155	-4920	702.5	1119	S88	-6528	547.5	1186	S21	-8136	702.5
1053	S154	-4944	547.5	1120	S87	-6552	702.5	1187	S20	-8160	547.5
1054	S153	-4968	702.5	1121	S86	-6576	547.5	1188	S19	-8184	702.5
1055	S152	-4992	547.5	1122	S85	-6600	702.5	1189	S18	-8208	547.5
1056	S151	-5016	702.5	1123	S84	-6624	547.5	1190	S17	-8232	702.5
1057	S150	-5040	547.5	1124	S83	-6648	702.5	1191	S16	-8256	547.5
1058	S149	-5064	702.5	1125	S82	-6672	547.5	1192	S15	-8280	702.5
1059	S148	-5088	547.5	1126	S81	-6696	702.5	1193	S14	-8304	547.5
1060	S147	-5112	702.5	1127	S80	-6720	547.5	1194	S13	-8328	702.5
1061	S146	-5136	547.5	1128	S79	-6744	702.5	1195	S12	-8352	547.5
1062	S145	-5160	702.5	1129	S78	-6768	547.5	1196	S11	-8376	702.5
1063	S144	-5184	547.5	1130	S77	-6792	702.5	1197	S10	-8400	547.5
1064	S143	-5208	702.5	1131	S76	-6816	547.5	1198	S9	-8424	702.5
1065	S142	-5232	547.5	1132	S75	-6840	702.5	1199	S8	-8448	547.5
1066	S141	-5256	702.5	1133	S74	-6864	547.5	1200	S7	-8472	702.5
1067	S140	-5280	547.5	1134	S73	-6888	702.5	1201	S6	-8496	547.5
1068	S139	-5304	702.5	1135	S72	-6912	547.5	1202	S5	-8520	702.5
1069	S138	-5328	547.5	1136	S71	-6936	702.5	1203	S4	-8544	547.5
1070	S137	-5352	702.5	1137	S70	-6960	547.5	1204	S3	-8568	702.5
1071	S136	-5376	547.5	1138	S69	-6984	702.5	1205	S2	-8592	547.5
1072	S135	-5400	702.5	1139	S68	-7008	547.5	1206	S1	-8616	702.5

Pad#	Signal	X-pos	Y-pos	Pad#	Signal	X-pos	Y-pos	Pad#	Signal	X-pos	Y-pos
1207	S0	-8640	547.5	1274	G201	-10248	702.5				
1208	NC	-8664	702.5	1275	G199	-10272	547.5				
1209	DUMMY	-8688	547.5	1276	G197	-10296	702.5				
1210	DUMMY	-8712	702.5	1277	G195	-10320	547.5				
1211	VCOM	-8736	547.5	1278	G193	-10344	702.5				
1212	VCOM	-8760	702.5	1279	G191	-10368	547.5				
1213	DUMMY	-8784	547.5	1280	G189	-10392	702.5				
1214	GTESTL	-8808	702.5	1281	G187	-10416	547.5				
1215	G319	-8832	547.5	1282	G185	-10440	702.5				
1216	G317	-8856	702.5	1283	G183	-10464	547.5				
1217	G315	-8880	547.5	1284	G181	-10488	702.5				
1218	G313	-8904	702.5	1285	G179	-10512	547.5				
1219	G311	-8928	547.5	1286	G177	-10536	702.5				
1220	G309	-8952	702.5	1287	G175	-10560	547.5				
1221	G307	-8976	547.5	1288	G173	-10584	702.5				
1222	G305	-9000	702.5	1289	G171	-10608	547.5				
1223	G303	-9024	547.5	1290	G169	-10632	702.5				
1224	G301	-9048	702.5	1291	G167	-10656	547.5				
1225	G299	-9072	547.5	1292	G165	-10680	702.5				
1226	G297	-9096	702.5	1293	G163	-10704	547.5				
1227	G295	-9120	547.5	1294	G161	-10728	702.5				
1228	G293	-9144	702.5	1295	G159	-10752	547.5				
1229	G291	-9168	547.5	1296	G157	-10776	702.5				
1230	G289	-9192	702.5	1297	G155	-10800	547.5				
1231	G287	-9216	547.5	1298	G153	-10824	702.5				
1232	G285	-9240	702.5	1299	G151	-10848	547.5				
1233	G283	-9264	547.5	1300	G149	-10872	702.5				
1234	G281	-9288	702.5	1301	G147	-10896	547.5				
1235	G279	-9312	547.5	1302	G145	-10920	702.5				
1236	G277	-9336	702.5	1303	G143	-10944	547.5				
1237	G275	-9360	547.5	1304	G141	-10968	702.5				
1238	G273	-9384	702.5	1305	G139	-10992	547.5				
1239	G271	-9408	547.5	1306	G137	-11016	702.5				
1240	G269	-9432	702.5	1307	G135	-11040	547.5				
1241	G267	-9456	547.5	1308	G133	-11064	702.5				
1242	G265	-9480	702.5	1309	G131	-11088	547.5				
1243	G263	-9504	547.5	1310	G129	-11112	702.5				
1244	G261	-9528	702.5	1311	G127	-11136	547.5				
1245	G259	-9552	547.5	1312	G125	-11160	702.5				
1246	G257	-9576	702.5	1313	G123	-11184	547.5				
1247	G255	-9600	547.5	1314	G121	-11208	702.5				
1248	G253	-9624	702.5	1315	G119	-11232	547.5				
1249	G251	-9648	547.5	1316	G117	-11256	702.5				
1250	G249	-9672	702.5	1317	G115	-11280	547.5				
1251	G247	-9696	547.5	1318	G113	-11304	702.5				
1252	G245	-9720	702.5	1319	G111	-11328	547.5				
1253	G243	-9744	547.5	1320	G109	-11352	702.5				
1254	G241	-9768	702.5	1321	G107	-11376	547.5				
1255	G239	-9792	547.5	1322	G105	-11400	702.5				
1256	G237	-9816	702.5	1323	G103	-11424	547.5				
1257	G235	-9840	547.5	1324	G101	-11448	702.5				
1258	G233	-9864	702.5	1325	G99	-11472	547.5				
1259	G231	-9888	547.5	1326	G97	-11496	702.5				
1260	G229	-9912	702.5	1327	G95	-11520	547.5				
1261	G227	-9936	547.5	1328	G93	-11544	702.5				
1262	G225	-9960	702.5	1329	G91	-11568	547.5				
1263	G223	-9984	547.5	1330	G89	-11592	702.5				
1264	G221	-10008	702.5	1331	THROUGH7	-11616	547.5				
1265	G219	-10032	547.5	1332	THROUGH8	-11640	702.5				
1266	G217	-10056	702.5	1333	DUMMY	-11664	547.5				
1267	G215	-10080	547.5	1334	DUMMY	-11688	702.5				
1268	G213	-10104	702.5	1335	VGL	-11712	547.5				
1269	G211	-10128	547.5	1336	DUMMY	-11736	702.5				
1270	G209	-10152	702.5								
1271	G207	-10176	547.5								
1272	G205	-10200	702.5								
1273	G203	-10224	547.5								

7 Pin Description

Table 2 - SSD1289 Pin Function Description

Name	Type	Function	Description
CM	Input	Logic Control	Input pin to select 262k-color or 8-color display mode. After entered 8-color display mode, the driver will switch to Frame-Inversion-Mode, and only MSB of the data Red, Green and Blue will be considered. - Connect to V _{DDIO} for 8-color display mode - Connect to V _{SS} for 262k-color display mode
DEN	Input	Display Timing Signals	Display enable pin from controller. Data will be treated as dummy regardless the DEN status during front/back porch setting at registers R16 and R17.
VSYNC			Frame synchronization signal. - Fixed to V _{DDIO} or V _{SS} if not used
HSYNC			Line synchronization signal. - Fixed to V _{DDIO} or V _{SS} if not used
DOTCLK			Dot-clock signal and oscillator source. A non-stop external clock must be provided to that pin even at front or black porch non-display period.
GAMAS0	Input	Logic Control	Gama selection pin. This pin should be connected to V _{dd} / V _{ss}
GAMAS1			Gama selection pin. This pin should be connected to V _{dd} / V _{ss}
GAMAS2			Gama selection pin. This pin should be connected to V _{dd} / V _{ss}
SHUT			Display shut down pin to put the driver into sleep mode. A sharp falling edge must be provided to such pin when IC power on. - Connect to V _{DDIO} for sleep mode - Connect to V _{SS} for normal operating mode
RL	Input	Panel Mapping Controls	Input pin to select the Source driver data shift direction. - Connect to V _{DDIO} for display first RGB data at S0-S2 - Connect to V _{SS} for display first RGB data at S719-S717
GD			Input pin to select the 1 st output Gate - GD = '0', G0 is 1 st output Gate, Gate sequence G0, G1, G2, G3, ..., G318, G319 - GD = '1', G1 is 1 st output Gate, Gate sequence G1, G0, G3, G2, ..., G319, G318
TB			Input pin to select the Gate driver scan direction. - Connect to V _{DDIO} for Gate scan from G0 to G319 - Connect to V _{SS} for Gate scan from G319 to G0
BGR			Input pin to select the color mapping. - Connect to V _{DDIO} for Blue-Green-Red mapping - Connect to V _{SS} for Red-Green-Blue mapping (Refer to S0-S719 pin description on Page 14 for details)
REV			Input pin to select the display reversion. - Connect to V _{DDIO} mapping data "0" to maximum pixel voltage for normal white panel - Connect to V _{SS} mapping data "0" to minimum pixel voltage for normal black panel
CAD			Panel structure selection pin. - Connect to V _{DDIO} if Cs on gate structure is used - Connect to V _{SS} if Cs on common structure is used
PS0			Input
PS1			
PS2			
PS3			
DC	Input	Logic Control	Data or command
/RD (E)			68-system : E (enable signal) 80-system : /RD (read strobe signal) Serial mode : Not used and should be connected to V _{DDIO} or V _{SS}
/WR (WR)			68-system : /WR (indicates read cycle when High, write cycle when Low) 80-system : WR (write strobe signal) Serial mode : Not used and should be connected to V _{DDIO} or V _{SS}
D0-D17	Input/Output	Data bus	For parallel mode, 8/9/16/18 bit interface. For generic mode, RGB interface. Please refer to Section 14 Interface Mapping for definition. Unused pins must be float or connect to V _{SS} .
WSYNC	Output	Logic Control	Ram Write Synchronization output

Name	Type	Function	Description
REGVDD	Input	Logic Control	Input pin to enable internal vdd regulation. - Connect to V _{DDIO} if the supply voltage for V _{DDIO} is not within the range 1.65V – 1.95V. Internal vdd regulator will be enabled. - Connect to V _{SS} if the supply voltage for V _{DDIO} is within the range 1.65V – 1.95V. Internal vdd regulator will be disabled.
$\overline{\text{RES}}$	Input	System Reset	System reset pin. - Connect to V _{DDIO} when not used
$\overline{\text{CS}}$	Input	Serial Interface	Chip select pin of serial interface. - Leave it OPEN when not used
SCK			Clock pin of serial interface. - Leave it OPEN when not used
SDI			Data input pin in serial mode. - Leave it OPEN when not used
SDO			Data output pin in serial mode. - Leave it OPEN when not used
V _{DD}	Power	Power Supply for Logic Circuits	Voltage supply pin for internal logic. Do not connect to any power supply. Connect to LV _{VDD} .
LV _{VDD}	Power	Regulator output for logic circuits	Internal regulator output. Connect to V _{DD} .
V _{DDRAM}	Power	Power Supply for RAM	Voltage supply pin for internal RAM. Do not connect to any power supply. Connect to LV _{VDDR}
LV _{VDDR}	Power	Regulator output for RAM	Internal regulator output. Connect to V _{DDRAM} .
V _{DDEXT}	Power	Power for internal V _{DD} regulator	Voltage input pin for logic I/O. - Connect to system V _{DD}
V _{DDIO}	Power	Power supply for logic I/O	

Name	Type	Function	Description
V _{SS}	Power	Ground of the Power Supply	System ground pin of the IC. - Connect to system ground
AV _{SS}			Grounding for analog circuit. - Connect to system ground
V _{SSRC}			Grounding for analog circuit. This pin requires a noise free path for providing accurate LCD driving voltages. - Connect to system ground
V _{CHS}			Grounding for booster circuit. - Connect to AV _{SS}
V _{CI}	Power	Power Supply for Analog Circuits	Booster input voltage pin. - Connect to voltage source between 2.5V to 3.6V
V _{CIP}			Voltage supply pin for analog circuit. This pin requires a noise free path for providing accurate LCD driving voltages. - Connect to same source of V _{CI}
V _{CI2}	Output	Booster voltages	Negative voltage of V _{CI} . - Connect a capacitor for stabilization
V _{CIX2}			Equals to 2x V _{CI} - Connect a capacitor for stabilization
V _{CIX2J}	Power	Voltage for analog	They are the power supply used by on chip analog blocks and VGH/VGL dcdc. Connect to V _{CIX2} on FPC.
V _{CIX2G}			
V _{COMR}	Input	External Reference	This pin provides voltage reference for internal voltage regulator when register VDV[4:0] of Power Control 4 set to "01111". - Connect to an external voltage source for reference
V _{COMH}	Output	Voltages for VCOM Signal	This pin indicates a HIGH level of VCOM generated in driving the VCOM alternation. - Connect a capacitor for stabilization
V _{COML}			This pin indicates a LOW level of VCOM generated in driving the VCOM alternation. - Connect a capacitor for stabilization
V _{LCD63}	Output	LCD Driving Voltages	This pin is the maximum source driver voltage. - Connect a capacitor for stabilization
V _{GH}			A positive power output pin for gate driver. - Connect a capacitor for stabilization
V _{GL}			A negative power output pin for gate driver. - Connect a capacitor for stabilization
V _{GOFFH}			When the VGOFF alternation is driven, this pin indicates a high level of VGOFF. - Connect a capacitor for stabilization if Cs on gate structure is used - This pin can be open if Cs on common structure is used
CXP	Input	Booster and Stabilization Capacitors	- Connect a capacitor to CXN
CYP			- Connect a capacitor to CYN
CP			- Connect a capacitor to CN
C1P			- Connect a capacitor to C1N
C2P			- Connect a capacitor to C2N
C3P			- Connect a capacitor to C3N
CXN			- Connect a capacitor to CXP
CYN			- Connect a capacitor to CYP
CN			- Connect a capacitor to CP
C1N			- Connect a capacitor to C1P
C2N			- Connect a capacitor to C2P
C3N			- Connect a capacitor to C3P
CDUM0			- Connect a capacitor to V _{SS}
CDUM1			- Connect a capacitor to V _{SS}
V _{GOFFHL}			- Connect a capacitor to V _{COM} if Cs on gate application.
EXTCLK	Input	OSC input	A clock input pin for internal oscillator. Connect to VSS when using the internal oscillator.
TESTA	I/O	IC Testing Signal	Test pin of the internal circuit. - Leave this pin open and insert test point in FPC
TESTB			Test pin of the internal circuit. - Leave this pin open and insert test point in FPC
TESTC			Test pin of the internal circuit. - Leave this pin open and insert test point in FPC

Name	Type	Function	Description
VCOM	Output	LCD Driving Signals	A power supply for the TFT-display common electrode.
G0-G319			Gate driver output pins. These pins output V_{GH} , V_{GOFFH} or V_{GOFFL} level.
S0-S719			Source driver output pins. S(3n) : display Red if BGR = LOW, Blue if BGR = HIGH. S(3n+1) : display Green. S(3n+2) : display Blue if BGR = LOW, Red if BGR = HIGH.
NC			These pins must be left open and cannot be connected together
THROUGH		Through line	Dummy pads. Use for panel measurement. There is no connection inside the IC. Pad 9 is connected to pad 1331 on panel (through1 and through7) Pad 10 is connected to pad 1332 on panel (through2 and through8) Pad 348 is connected to pad 362 on panel (through3 and through5) Pad 349 connected to pad 363 on panel (through4 and through6)
DUMMY			Floating pins and no connection inside the IC. These pins should be open.

8 Block Function Description

System Interface

The System Interface unit consists of three functional blocks for driving the 6800-series parallel interface, 8080-series parallel interface, 3-lines serial peripheral interface and 4-lines serial peripheral interface. The selection of different interface is done by PS3, PS2, PS1 and PS0 pins. Please refer to the pin descriptions on page 12.

a) MPU Parallel 6800-series Interface

The parallel Interface consists of 18 bi-directional data pins ($D_{17} - D_0$), R/\overline{W} , D/\overline{C} , E and \overline{CS} . R/\overline{W} input high indicates a read operation from the Graphical Display Data RAM (GDDRAM) or the status register. R/\overline{W} input low indicates a write operation to Display Data RAM or Internal Command Registers depending on the status of D/\overline{C} input. The E input serves as data latch signal (clock) when high provided that \overline{CS} is low. Please refer to Parallel Interface Timing Diagram of 6800-series microprocessors. In order to match the operating frequency of the GDDRAM with that of the MCU, pipeline processing is internally performed which requires the insertion of a dummy read before the first actual display data read. This is shown in the following diagram.

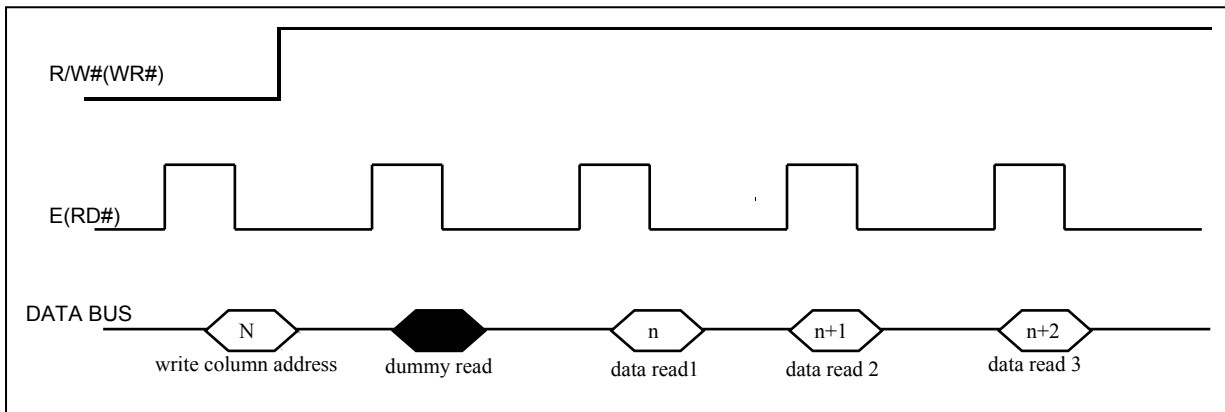


Figure 3 – Read Display Data

b) MPU Parallel 8080-series Interface

The parallel interface consists of 18 bi-directional data pins $D_{17} - D_0$, \overline{RD} , \overline{WR} , D/\overline{C} and \overline{CS} . \overline{RD} input serves as data read latch signal (clock) when low provided that \overline{CS} is low. Whether reading the display data from GDDRAM or reading the status from the status register is controlled by D/\overline{C} . \overline{WR} input serves as data write latch signal (clock) when low provided that \overline{CS} is low. Whether writing the display data to the GDDRAM or writing the command to the command register is controlled by D/\overline{C} . A dummy read is also required before the first actual display data read for 8080-series interface.

c) MPU 4-lines Serial Peripheral Interface

The 4-lines serial peripheral Interface consists of serial clock SCK, serial data SDA, D/\overline{C} and \overline{CS} . SDA is shifted into 8-bit shift register on every rising edge of SCK in the order of data bit 7, data bit 6 data bit 0. D/\overline{C} is sampled on every eighth clock to determine whether the data byte in the shift register is written to the Display Data RAM or command register at the same clock.

d) MPU 3-lines Serial Peripheral Interface

The operation is similar to 4-lines serial peripheral interface while D/\overline{C} is not used. There are altogether 9-bits will be shifted into the shift register on every ninth clock in sequence: D/\overline{C} bit, D7 to

D0 bit. The $\overline{D/C}$ bit (first bit of the sequential data) will determine the following data byte in the shift register is written to the Display Data RAM ($\overline{D/C}$ bit = 1) or the command register ($\overline{D/C}$ bit = 0).

	6800 – series Parallel Interface	8080 – series Parallel Interface	MCU Serial Interface
Data Read	18/16/9/8-bits	18/16/9/8-bits	No
Data Write	18/16/9/8-bits	18/16/9/8-bits	8-bits
Command Read	Status only	Status only	No
Command Write	Yes	Yes	8-bits

Table 3 - Data bus selection modes

RGB Interface

The RGB Interface unit consists of D17-D0, HSYNC, VSYNC, DEN and DOTCLK for animated image display. When the RGB Interface is selected, D17-D0 is set to be generic interface.

Address Counter (AC)

The address counter (AC) assigns address to the GDDRAM. When an address set instruction is written into the IR, the address information is sent from the IR to the AC.

After writing into the GRAM, the AC is automatically incremented by 1 (or decremented by 1). After reading the data, the AC is not updated. A window address function allows for data to be written only to a window area specified by GRAM.

Graphic Display Data RAM (GDDRAM)

The GDDRAM is a bit mapped static RAM holding the bit pattern to be displayed. The size of the RAM is $240 \text{ RGB} \times 320 \times 18 / 8 = 518,400$ bytes. For mechanical flexibility, re-mapping on both Segment and Common outputs can be selected by software. Please refer to the command “Data Output/Scan direction” for detail description.

Four pages of display data forms a RAM address block and stored in the GDDRAM. Each block will form the fundamental units of scrolling addresses. Various types of area scrolling can be performed by software program according to the command “Set area Scroll” and “Set Scroll Start”.

Gamma/Grayscale Voltage Generator

The grayscale voltage circuit generates a LCD driver circuit that corresponds to the grayscale levels as specified in the grayscale gamma-adjusting resistor. 262,144 possible colors can be displayed when 1 pixel = 18 bit. For details, see the gamma-adjusting resistor.

Booster and Regulator Circuit

These two functional blocks generate the voltage of VGH, VGOFFL, VCOM levels and Vlcd0~63 which are necessary for operating a TFT LCD.

Oscillation Circuit (OSC)

This module is an On-Chip low power RC oscillator circuitry. The oscillator generates the clock for the DC-DC voltage converter. This clock is also used in the Display Timing Generator.

Data Latches

This block is a series of latches carrying the display signal information. These latches hold the data, which will be fed to the HV Buffer Cell and Level Selector to output the required voltage level.

9 COMMAND TABLE

Table 4 - Command Table

Reg#	Register	R/W	D/C	IB15	IB14	IB13	IB12	IB11	IB10	IB9	IB8	IB7	IB6	IB5	IB4	IB3	IB2	IB1	IB0
R	Index	0	0	*	*	*	*	*	*	*	*	ID7	ID6	ID5	ID4	ID3	ID2	ID1	ID0
SR	Status Read	1	0	L7	L6	L5	L4	L3	L2	L1	L0	0	0	0	0	0	0	0	0
R00h	Oscillation Start	0	1	0	0	0	0	0	0	0	0	0	0	0	0	0	0	0	OSCEEN
R01h	Driver output control	0	1	0	RL	REV	CAD	BGR	SM	TB	MUX8	MUX7	MUX6	MUX5	MUX4	MUX3	MUX2	MUX1	MUX0
R02h	LCD drive AC control	0	1	0	0	0	FLD	ENWS	B/C	EOR	WSMD	NW7	NW6	NW5	NW4	NW3	NW2	NW1	NW0
R03h	Power control (1)	0	1	DCT3	DCT2	DCT1	DCT0	BT2	BT1	BT0	0	DC3	DC2	DC1	DC0	AP2	AP1	AP0	0
R05h	Compare register (1)	0	1	CPR5	CPR4	CPR3	CPR2	CPR1	CPR0	0	0	CPG5	CPG4	CPG3	CPG2	CPG1	CPG0	0	0
R06h	Compare register (2)	0	1	0	0	0	0	0	0	0	0	CPB5	CPB4	CPB3	CPB2	CPB1	CPB0	0	0
R07h	Display control	0	1	0	0	0	PT1	PT0	VLE2	VLE1	SPT	0	0	GON	DTE	CM	0	D1	D0
R0Bh	Frame cycle control	0	1	NO1	NO0	SDT1	SDT0	0	EQ2	EQ1	EQ0	DIV1	DIV0	SDIV	SRTN	RTN3	RTN2	RTN1	RTN0
R0Ch	Power control (2)	0	1	0	0	0	0	0	0	0	0	0	0	0	0	0	VRC2	VRC1	VRC0
R0Dh	Power control (3)	0	1	0	0	0	0	0	0	0	0	0	0	0	0	VRH3	VRH2	VRH1	VRH0
R0Eh	Power control (4)	0	1	0	0	VCOMG	VDV4	VDV3	VDV2	VDV1	VDV0	0	0	0	0	0	0	0	0
R0Fh	Gate scan start position	0	1	0	0	0	0	0	0	0	SCN8	SCN7	SCN6	SCN5	SCN4	SCN3	SCN2	SCN1	SCN0
R10h	Sleep mode	0	1	0	0	0	0	0	0	0	0	0	0	0	0	0	0	0	SLP
R11h	Entry mode	0	1	VS mode	DFM1	DFM0	TRANS	OEDef	WMode	DMode1	DMode0	TY1	TY0	ID1	ID0	AM	LG2	LG1	LG0
R16h	Horizontal Porch	0	1	XL7	XL6	XL5	XL4	XL3	XL2	XL1	XL0	HBP7	HBP6	HBP5	HBP4	HBP3	HBP2	HBP1	HBP0
R17h	Vertical Porch	0	1	VFP7	VFP6	VFP5	VFP4	VFP3	VFP2	VFP1	VFP0	VBP7	VBP6	VBP5	VBP4	VBP3	VBP2	VBP1	VBP0
R1Eh	Power control (5)	0	1	0	0	0	0	0	0	0	0	nOTP	0	VCM5	VCM4	VCM3	VCM2	VCM1	VCM0
R22h	RAM data write	0	1	Data[17:0] mapping depends on the interface setting															
	RAM data read	1	1																
R23h	RAM write data mask (1)	0	1	WMR5	WMR4	WMR3	WMR2	WMR1	WMR0	0	0	WMG5	WMG4	WMG3	WMG2	WMG1	WMG0	0	0
R24h	RAM write data mask (2)	0	1	0	0	0	0	0	0	0	0	WMB5	WMB4	WMB3	WMB2	WMB1	WMB0	0	0
R28h	VCOM OTP (1)	0	1	0	0	0	0	0	0	0	0	0	0	0	0	1	0	1	0
R29h	VCOM OTP (2)	0	1	1	0	0	0	0	0	0	0	1	1	0	0	0	0	0	0
R30h	γ control (1)	0	1	0	0	0	0	0	PKP12	PKP11	PKP10	0	0	0	0	0	PKP02	PKP01	PKP00
R31h	γ control (2)	0	1	0	0	0	0	0	PKP32	PKP31	PKP30	0	0	0	0	0	PKP22	PKP21	PKP20
R32h	γ control (3)	0	1	0	0	0	0	0	PKP52	PKP51	PKP50	0	0	0	0	0	PKP42	PKP41	PKP40
R33h	γ control (4)	0	1	0	0	0	0	0	PRP12	PRP11	PRP10	0	0	0	0	0	PRP02	PRP01	PRP00
R34h	γ control (5)	0	1	0	0	0	0	0	PKN12	PKN11	PKN10	0	0	0	0	0	PKN02	PKN01	PKN00
R35h	γ control (6)	0	1	0	0	0	0	0	PKN32	PKN31	PKN30	0	0	0	0	0	PKN22	PKN21	PKN20
R36h	γ control (7)	0	1	0	0	0	0	0	PKN52	PKN51	PKN50	0	0	0	0	0	PKN42	PKN41	PKN40
R37h	γ control (8)	0	1	0	0	0	0	0	PRN12	PRN11	PRN10	0	0	0	0	0	PRN02	PRN01	PRN00
R3Ah	γ control (9)	0	1	0	0	0	VRP14	VRP13	VRP12	VRP11	VRP10	0	0	0	0	VRP03	VRP02	VRP01	VRP00
R3Bh	γ control (10)	0	1	0	0	0	VRN14	VRN13	VRN12	VRN11	VRN10	0	0	0	0	VRN03	VRN02	VRN01	VRN00
R41h	Vertical scroll control (1)	0	1	0	0	0	0	0	0	0	VL18	VL17	VL16	VL15	VL14	VL13	VL12	VL11	VL10
R42h	Vertical scroll control (2)	0	1	0	0	0	0	0	0	0	VL28	VL27	VL26	VL25	VL24	VL23	VL22	VL21	VL20
R44h	Horizontal RAM address position	0	1	HEA7	HEA6	HEA5	HEA4	HEA3	HEA2	HEA1	HEA0	HSA7	HSA6	HSA5	HSA4	HSA3	HSA2	HSA1	HSA0
R45h	Vertical RAM address start position	0	1	0	0	0	0	0	0	0	VSA8	VSA7	VSA6	VSA5	VSA4	VSA3	VSA2	VSA1	VSA0
R46h	Vertical RAM address end position	0	1	0	0	0	0	0	0	0	VEA8	VEA7	VEA6	VEA5	VEA4	VEA3	VEA2	VEA1	VEA0

(Continued)

Reg#	Register	R/W	D/C	IB15	IB14	IB13	IB12	IB11	IB10	IB9	IB8	IB7	IB6	IB5	IB4	IB3	IB2	IB1	IB0
R48h	First window start	0	1	0	0	0	0	0	0	0	SS18	SS17	SS16	SS15	SS14	SS13	SS12	SS11	SS10
R49h	First window end	0	1	0	0	0	0	0	0	0	SE18	SE17	SE16	SE15	SE14	SE13	SE12	SE11	SE10
R4Ah	Second window start	0	1	0	0	0	0	0	0	0	SS28	SS27	SS26	SS25	SS24	SS23	SS22	SS21	SS20
R4Bh	Second window end	0	1	0	0	0	0	0	0	0	SE28	SE27	SE26	SE25	SE24	SE23	SE22	SE21	SE20
R4Eh	Set GDDRAM X address counter	0	1	0	0	0	0	0	0	0	XAD7	XAD6	XAD5	XAD4	XAD3	XAD2	XAD1	XAD0	
R4Fh	Set GDDRAM Y address counter	0	1	0	0	0	0	0	0	0	YAD8	YAD7	YAD6	YAD5	YAD4	YAD3	YAD2	YAD1	YAD0

Note 1 : * means don't care

Note 2 : Register bits REV, CAD, BGR, TB, RL, CM will override the corresponding hardware pins settings.

10 Register POR value

Table 5 – Registers POR value

Reg#	Register	Hex code	IB15	IB14	IB13	IB12	IB11	IB10	IB9	IB8	IB7	IB6	IB5	IB4	IB3	IB2	IB1	IB0
R00h	Oscillation Start	0000	0	0	0	0	0	0	0	0	0	0	0	0	0	0	0	0
R01h	Driver output control	433F	0	1	0	0	0	0	1	1	0	0	1	1	1	1	1	1
R02h	LCD drive AC control	0400	0	0	0	0	0	1	0	0	0	0	0	0	0	0	0	0
R05h	Compare register (1)	0000	0	0	0	0	0	0	0	0	0	0	0	0	0	0	0	0
R06h	Compare register (2)	0000	0	0	0	0	0	0	0	0	0	0	0	0	0	0	0	0
R07h	Display control	0000	0	0	0	0	0	0	0	0	0	0	0	0	0	0	0	0
R0Bh	Frame cycle control	D308	1	1	0	1	0	0	1	1	0	0	0	0	1	0	0	0
R0Ch	Power control (2)	0004	0	0	0	0	0	0	0	0	0	0	0	0	0	1	0	0
R0Fh	Gate scan start position	0000	0	0	0	0	0	0	0	0	0	0	0	0	0	0	0	0
R10h	Sleep mode	0001	0	0	0	0	0	0	0	0	0	0	0	0	0	0	0	1
R11h	Entry mode	6830	0	1	1	0	1	0	0	0	0	0	1	1	0	0	0	0
R16h	Horizontal Porch	EF1C	1	1	1	0	1	1	1	1	0	0	0	1	1	1	0	0
R17h	Vertical Porch	0003	0	0	0	0	0	0	0	0	0	0	0	0	0	0	1	1
R23h	RAM write data mask (1)	0000	0	0	0	0	0	0	0	0	0	0	0	0	0	0	0	0
R24h	RAM write data mask (2)	0000	0	0	0	0	0	0	0	0	0	0	0	0	0	0	0	0
R41h	Vertical scroll control (1)	0000	0	0	0	0	0	0	0	0	0	0	0	0	0	0	0	0
R42h	Vertical scroll control (2)	0000	0	0	0	0	0	0	0	0	0	0	0	0	0	0	0	0
R44h	Horizontal RAM address position	EF00	1	1	1	0	1	1	1	1	0	0	0	0	0	0	0	0
R45h	Vertical RAM address start position	0000	0	0	0	0	0	0	0	0	0	0	0	0	0	0	0	0
R46h	Vertical RAM address end position	013F	0	0	0	0	0	0	0	1	0	0	1	1	1	1	1	1
R48h	First window start	0000	0	0	0	0	0	0	0	0	0	0	0	0	0	0	0	0
R49h	First window end	013F	0	0	0	0	0	0	0	1	0	0	1	1	1	1	1	1
R4Ah	Second window start	0000	0	0	0	0	0	0	0	0	0	0	0	0	0	0	0	0
R4Bh	Second window end	013F	0	0	0	0	0	0	0	1	0	0	1	1	1	1	1	1
R4Eh	Set X address counter	0000	0	0	0	0	0	0	0	0	0	0	0	0	0	0	0	0
R4Fh	Set Y address counter	0000	0	0	0	0	0	0	0	0	0	0	0	0	0	0	0	0

Table 6 – Registers POR value at GAMAS[2:0] = 000

Reg#	Register	Hex code	IB15	IB14	IB13	IB12	IB11	IB10	IB9	IB8	IB7	IB6	IB5	IB4	IB3	IB2	IB1	IB0
R03h	Power control (1)	6664	0	1	1	0	0	1	1	0	0	1	1	0	0	1	0	0
R0Dh	Power control (3)	0009	0	0	0	0	0	0	0	0	0	0	0	0	1	0	0	1
R0Eh	Power control (4)	3200	0	0	1	1	0	0	1	0	0	0	0	0	0	0	0	0
R1Eh	Power control (5)	0029	0	0	0	0	0	0	0	0	0	0	1	0	1	0	0	1

Table 7 – Registers POR value at GAMAS[2:0] = 001

Reg#	Register	Hex code	IB15	IB14	IB13	IB12	IB11	IB10	IB9	IB8	IB7	IB6	IB5	IB4	IB3	IB2	IB1	IB0
R03h	Power control (1)	6564	0	1	1	0	1	0	1	0	0	1	1	0	0	1	0	0
R0Dh	Power control (3)	000A	0	0	0	0	0	0	0	0	0	0	0	0	1	0	1	0
R0Eh	Power control (4)	2C00	0	0	1	0	1	1	0	0	0	0	0	0	0	0	0	0
R1Eh	Power control (5)	0034	0	0	0	0	0	0	0	0	0	0	1	1	0	1	0	0

Table 8 – Registers POR value at GAMAS[2:0] = 010

Reg#	Register	Hex code	IB15	IB14	IB13	IB12	IB11	IB10	IB9	IB8	IB7	IB6	IB5	IB4	IB3	IB2	IB1	IB0
R03h	Power control (1)	6264	0	1	1	0	0	0	1	0	0	1	1	0	0	1	0	0
R0Dh	Power control (3)	0008	0	0	0	0	0	0	0	0	0	0	0	0	1	0	0	0
R0Eh	Power control (4)	3200	0	0	1	1	0	0	1	0	0	0	0	0	0	0	0	0
R1Eh	Power control (5)	002F	0	0	0	0	0	0	0	0	0	0	1	0	1	1	1	1

Table 9 – Registers POR value at GAMAS[2:0] = 011

Reg#	Register	Hex code	IB15	IB14	IB13	IB12	IB11	IB10	IB9	IB8	IB7	IB6	IB5	IB4	IB3	IB2	IB1	IB0
R03h	Power control (1)	6464	0	1	1	0	0	1	0	0	0	1	1	0	0	1	0	0
R0Dh	Power control (3)	000A	0	0	0	0	0	0	0	0	0	0	0	0	1	0	1	0
R0Eh	Power control (4)	3000	0	0	1	1	0	0	0	0	0	0	0	0	0	0	0	0
R1Eh	Power control (5)	0031	0	0	0	0	0	0	0	0	0	0	1	1	0	0	0	1

COMMAND DESCRIPTION

Index / Status / Display control Instruction

Index (IR)

R/W	DC	IB15	IB14	IB13	IB12	IB11	IB10	IB9	IB8	IB7	IB6	IB5	IB4	IB3	IB2	IB1	IB0
W	0	*	*	*	*	*	*	*	*	ID7	ID6	ID5	ID4	ID3	ID2	ID1	ID0

The index instruction specifies the RAM control indexes (R00h to RFFh). It sets the register number in the range of 00000000 to 11111111 in binary form. But do not access to Index register and instruction bits which do not have it's own index register.

Device Code Read (R00h)

R/W	DC	IB15	IB14	IB13	IB12	IB11	IB10	IB9	IB8	IB7	IB6	IB5	IB4	IB3	IB2	IB1	IB0
R	1	0	0	0	1	0	0	1	0	1	0	0	0	1	0	0	1

If this register is read forcibly, 1289h is read.

Oscillator (R00h) (POR = 0000h)

R/W	DC	IB15	IB14	IB13	IB12	IB11	IB10	IB9	IB8	IB7	IB6	IB5	IB4	IB3	IB2	IB1	IB0
W	1	0	0	0	0	0	0	0	0	0	0	0	0	0	0	0	OSCEN
POR		-	-	-	-	-	-	-	-	-	-	-	-	-	-	-	0

OSCEN: The oscillator will be turned on when OSCEN = 1, off when OSCEN = 0.

Driver Output Control (R01h) (POR = 433Fh)

R/W	DC	IB15	IB14	IB13	IB12	IB11	IB10	IB9	IB8	IB7	IB6	IB5	IB4	IB3	IB2	IB1	IB0
W	1	0	RL	REV	CAD	BGR	SM	TB	MUX8	MUX7	MUX6	MUX5	MUX4	MUX3	MUX2	MUX1	MUX0
POR		-	1	0	0	0	0	1	1	0	0	1	1	1	1	1	1

REV: Displays all character and graphics display sections with reversal when REV = "1". Since the grayscale level can be reversed, display of the same data is enabled on normally white and normally black panels. Source output level is indicated below.

REV	RGB data	Source Output level	
		VcomH = "L"	VcomH = "H"
0	00000H	V63	V0
	⋮	⋮	⋮
	3FFFFFFH	V0	V63
1	00000H	V0	V63
	⋮	⋮	⋮
	3FFFFFFH	V63	V0

CAD: Set up based on retention capacitor configuration of the TFT panel.

CAD	Retention capacitor configuration
0	Cs on Common (POR)
1	Cs on Gate

BGR: Selects the <R><G> arrangement. When BGR = "0" <R><G> color is assigned from S0. When BGR = "1" <G><R> color is assigned from S0.

SM: Change scanning order of gate driver. Select the order according to the mounting method.

TB: Selects the output shift direction of the gate driver. When TB = 1, G0 shifts to G319. When TB = 0, G319 shifts to G0.

RL: Selects the output shift direction of the source driver. When RL = "1", S0 shifts to S719 and <R><G> color is assigned from S0. When RL = "0", S719 shifts to S0 and <R><G> color is assigned from S719. Set RL bit and BGR bit when changing the dot order of R, G and B. RL setting will be ignored when display with RAM (Dmode[1:0] = 00).

MUX[8:0]: Specify number of lines for the LCD driver. MUX[8:0] settings cannot exceed 319.
Remark: When using the partial display, the output for non-display area will be minimum voltage.

GD='1'

	SM = 0	SM = 1
TB = 1 RL = 1		
TB = 0 RL = 1		
TB = 1 RL = 0		
TB = 0 RL = 0		

GD='0'

	SM = 0	SM = 1
TB = 1 RL = 1		
TB = 0 RL = 1		
TB = 1 RL = 0		
TB = 0 RL = 0		

LCD-Driving-Waveform Control (R02h) (POR = 0400h)

R/W	DC	IB15	IB14	IB13	IB12	IB11	IB10	IB9	IB8	IB7	IB6	IB5	IB4	IB3	IB2	IB1	IB0
W	1	0	0	0	FLD	ENWS	B/C	EOR	WSMD	NW7	NW6	NW5	NW4	NW3	NW2	NW1	NW0
POR	-	-	-	-	0	0	1	0	0	0	0	0	0	0	0	0	0

FLD: Set display in interlace drive mode to protect from flicker. It splits one frame into 3 fields and drive. When FLD = 1, it is 3 field driving, which also limit VBP = 1 and cannot be used for Cs on gate panel type. That is CAD = 1 & FLD = 1 cannot be coexist. When FLD = 0, it is normal driving, either type B or type C depends on B/C.

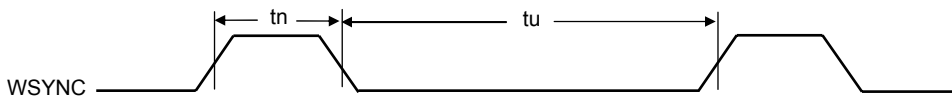
B/C: When B/C = 0, frame inversion of the LCD driving signal is enabled. When B/C = 1, a N-line inversion waveform is generated and alternates in each N lines specified by bits EOR and NW7-0.

EOR: When B/C = 1 and EOR = 1, the odd/even frame-select signals and the N-line inversion signals are EORed for alternating drive. EOR is used when the LCD is not alternated by combining the set values of the lines of the LCD driven and the N-lines.

NW[7:0]: Specify the number of lines that will alternate at the N-line inversion setting (B/C = 1). NW6-0 alternate for every set value + 1 lines.

ENWS: When ENWS = 1, it enables WSYNC output pin. Mode1 or Mode2 is selected by WSMD. When ENWS = 0(POR), it disables WSYNC feature, the WSYNC output pin will be high-impedance.

WSMD = 0 is mode1, the waveform of WSYNC output will be:

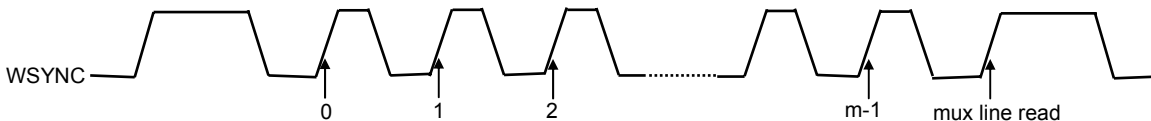


tn is the time when there is No Update of LCD screen from on-chip ram content.

tu is the time when the LCD screen is updating based on on-chip ram content.

e.g. fosc = 500KHz, for 320mux, tn = 192us (4 lines), tu = 15.36ms (320 lines)

WSMD = 1 is mode2, the waveform of WSYNC output will be:



For fast write MCU: MCU should start to write new frame of ram data just after rising edge of long WSYNC pulse and should be finished well before the rising edge of the next long WSYNC pulse.

e.g. 5MHz 8 bit parallel write cycle for 18 bit color depth, or 3MHz 8 bit parallel write cycle for 16 bit color depth.

For slow write MCU (Half the write speed of fast write): MCU should start to write new frame ram data after the rising edge of the first short WSYNC pulse and must be finished within 2 frames time.

e.g. 2.5MHz 8 bit parallel write cycle for 18 bit color depth.

* Usually, **mode2** is for slower MCU, while **mode1** is for fast MCU.

Power control 1 (R03h) (POR = 6664h)

R/W	DC	IB15	IB14	IB13	IB12	IB11	IB10	IB9	IB8	IB7	IB6	IB5	IB4	IB3	IB2	IB1	IB0
W	1	DCT3	DCT2	DCT1	DCT0	BT2	BT1	BT0	0	DC3	DC2	DC1	DC0	AP2	AP1	AP0	0
POR		0	1	1	0	0	1	1	-	0	1	1	0	0	1	0	-

*note: this POR value is for GAMAS[2:0] = 000, for POR values of all GAMAS[2:0] setting please refer to Table 6 – 9.

DCT[3:0]: Set the step-up cycle of the step-up circuit for 8-color mode (CM = V_{DDIO}). When the cycle is accelerated, the driving ability of the step-up circuit increases, but its current consumption increases too. Adjust the cycle taking into account the display quality and power consumption.

DCT3	DCT2	DCT1	DCT0	Step-up cycle
0	0	0	0	Fline × 24
0	0	0	1	Fline × 16
0	0	1	0	Fline × 12
0	0	1	1	Fline × 8
0	1	0	0	Fline × 6
0	1	0	1	Fline × 5
0	1	1	0	Fline × 4
0	1	1	1	Fline × 3
1	0	0	0	Fline × 2
1	0	0	1	Fline × 1
1	0	1	0	fosc / 4
1	0	1	1	fosc / 6
1	1	0	0	fosc / 8
1	1	0	1	fosc / 10
1	1	1	0	fosc / 12
1	1	1	1	fosc / 16

* Fline = Line frequency
fosc = Internal oscillator frequency (~500KHz)

BT[2:0]: Control the step-up factor of the step-up circuit. Adjust the step-up factor according to the power-supply voltage to be used.

BT2	BT1	BT0	V _{GH} output	V _{GL} output	V _{GH} booster ratio	V _{GL} booster ratio
0	0	0	V _{CIX2} × 3	-(V _{CIX2} × 3) + V _{Cl}	+6	-5
0	0	1	V _{CIX2} × 3	-(V _{CIX2} × 2)	+6	-4
0	1	0	V _{CIX2} × 3	-(V _{CIX2} × 3)	+6	-6
0	1	1	V _{CIX2} × 2 + V _{Cl}	-(V _{CIX2} × 3) + V _{Cl}	+5	-5
1	0	0	V _{CIX2} × 2 + V _{Cl}	-(V _{CIX2} × 2)	+5	-4
1	0	1	V _{CIX2} × 2 + V _{Cl}	-(V _{CIX2} × 2) + V _{Cl}	+5	-3
1	1	0	V _{CIX2} × 2	-(V _{CIX2} × 2)	+4	-4
1	1	1	V _{CIX2} × 2	-(V _{CIX2} × 2) + V _{Cl}	+4	-3

DC[3:0]: Set the step-up cycle of the step-up circuit for 262k-color mode (CM = V_{SS}). When the cycle is accelerated, the driving ability of the step-up circuit increases, but its current consumption increases too. Adjust the cycle taking into account the display quality and power consumption.

DC3	DC2	DC1	DC0	Step-up cycle
0	0	0	0	Fline × 24
0	0	0	1	Fline × 16
0	0	1	0	Fline × 12
0	0	1	1	Fline × 8
0	1	0	0	Fline × 6
0	1	0	1	Fline × 5
0	1	1	0	Fline × 4
0	1	1	1	Fline × 3
1	0	0	0	Fline × 2
1	0	0	1	Fline × 1
1	0	1	0	fosc / 4
1	0	1	1	fosc / 6
1	1	0	0	fosc / 8
1	1	0	1	fosc / 10
1	1	1	0	fosc / 12
1	1	1	1	fosc / 16

* Fline = Line frequency
fosc = Internal oscillator frequency (~500KHz)

AP[2:0]: Adjust the amount of current from the stable-current source in the internal operational amplifier circuit. When the amount of current becomes large, the driving ability of the operational-amplifier circuits increase. Adjust the current taking into account the power consumption. During times when there is no display, such as when the system is in a sleep mode.

AP2	AP1	AP0	Op-amp power
0	0	0	Least
0	0	1	Small
0	1	0	Small to medium
0	1	1	Medium
1	0	0	Medium to large
1	0	1	Large
1	1	0	Large to Maximum
1	1	1	Maximum

Compare register (R05h-R06h) (POR = 0000h)

Reg#	R/W	DC	IB15	IB14	IB13	IB12	IB11	IB10	IB9	IB8	IB7	IB6	IB5	IB4	IB3	IB2	IB1	IB0
R05h	W	1	CPR5	CPR4	CPR3	CPR2	CPR1	CPR0	0	0	CPG5	CPG4	CPG3	CPG2	CPG1	CPG0	0	0
	POR		0	0	0	0	0	0	-	-	0	0	0	0	0	0	-	-
R06h	W	1	0	0	0	0	0	0	0	0	CPB5	CPB4	CPB3	CPB2	CPB1	CPB0	0	0
	POR		-	-	-	-	-	-	-	-	0	0	0	0	0	0	-	-

CPR[5:0], CPG[5:0], CPB[5:0]: Set the value for the compare register, of which the data read out from the GDDRAM or data written to the GDDRAM by the microcomputer are compared. This function is not available in the external display interface mode. In the external display mode, make sure LG[2:0] = "000". CPR[5:0] compares the pins RR[5:0], CPG[5:0] compares the pins GG[5:0], and CPB[5:0] compares the pins BB[5:0]. Refer to Section 14 Interface Mapping for writing methods in RGB data.

Display Control (R07h) (POR = 0000h)

R/W	DC	IB15	IB14	IB13	IB12	IB11	IB10	IB9	IB8	IB7	IB6	IB5	IB4	IB3	IB2	IB1	IB0
W	1	0	0	0	PT1	PT0	VLE2	VLE1	SPT	0	0	GON	DTE	CM	0	D1	D0
POR	-	-	-	-	0	0	0	0	0	-	-	0	0	0	-	0	0

PT[1:0]: Normalize the source outputs when non-displayed area of the partial display is driven.

VLE[2:1]: When VLE1 = 1 or VLE2 = 1, a vertical scroll is performed in the 1st screen by taking data VL17-0 in R41h register. When VLE2 = 1 and VLE1 = 1, a vertical scroll is performed in the 1st and 2nd screen by VL1[8:0] and VL2[8:0] respectively.

SPT: When SPT = “1”, the 2-division LCD drive is performed.

CM: When CM = 1, 8-color mode is selected.

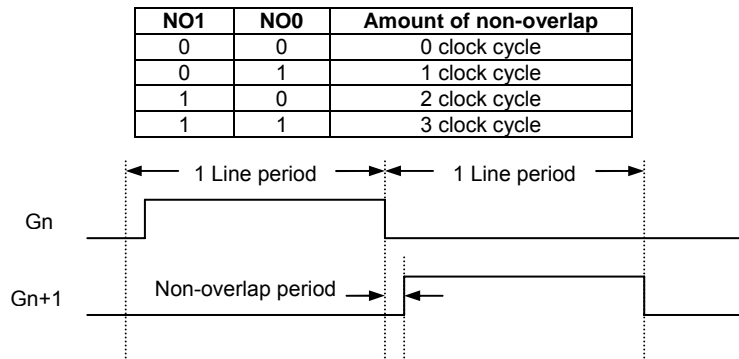
GON: Gate off level becomes VGH when GON = “0”.

D[1:0]: Display is on when D1 = “1” and off when D1 = “0”. When off, the display data remains in the GDDRAM, and can be displayed instantly by setting D1 = “1”. When D1= “0”, the display is off with all of the source outputs set to the GND level. Because of this, the driver can control the charging current for the LCD with AC driving. When D[1:0] = “01”, the internal display is performed although the display is off. When D[1:0] = “00”, the internal display operation halts and the display is off. Control the display on/off while control GON and DTE.

Frame Cycle Control (R0Bh) (POR = D308h)

R/W	DC	IB15	IB14	IB13	IB12	IB11	IB10	IB9	IB8	IB7	IB6	IB5	IB4	IB3	IB2	IB1	IB0
W	1	NO1	NO0	SDT1	SDT0	0	EQ2	EQ1	EQ0	DIV1	DIV0	SDIV	SRTN	RTN3	RTN2	RTN1	RTN0
POR	-	1	1	0	1	-	0	1	1	0	0	0	0	1	0	0	0

NO[1:0]: Sets amount of non-overlap of the gate output.

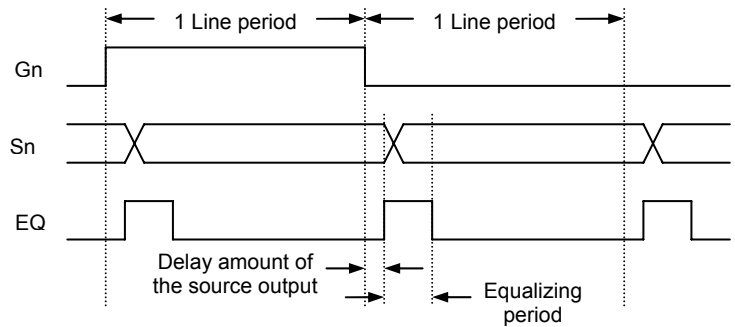


SDT[1:0]: Set delay amount from the gate output signal falling edge of the source outputs.

SDT1	SDT0	Delay amount of the source output
0	0	0 clock cycle
0	1	1 clock cycle
1	0	2 clock cycle
1	1	3 clock cycle

EQ[2:0]: Sets the equalizing period.

EQ2	EQ1	EQ0	EQ period
0	0	0	No EQ
0	0	1	2 clock cycle
0	1	0	3 clock cycle
0	1	1	4 clock cycle
1	0	0	5 clock cycle
1	0	1	6 clock cycle
1	1	0	7 clock cycle
1	1	1	8 clock cycle



DIV[1:0]: Set the division ratio of clocks for internal operation. Internal operations are driven by clocks which frequency is divided according to the DIV1-0 setting.

DIV1	DIV0	Division Ratio
0	0	1
0	1	2
1	0	4
1	1	8

* fosc = internal oscillator frequency, ~500kHz

SDIV: When SDIV = 1, DIV1-0 value will be count. When SDIV = 0, DIV1-0 value will be auto determined.

SRTN: When SRTN =1, RTN3-0 value will be count. When SRTN = 0, RTN3-0 value will be auto determined.

RTN[3:0]: Set the no. of clocks in each line. The total number will be the decimal value of RTN3-0 plus 16. e.g. if RTN3-0 = "1010h", the total number of clocks in each line = 10 +16 = 26 clocks.

Power Control 2 (R0Ch) (POR = 0004h)

R/W	DC	IB15	IB14	IB13	IB12	IB11	IB10	IB9	IB8	IB7	IB6	IB5	IB4	IB3	IB2	IB1	IB0	
W	1	0	0	0	0	0	0	0	0	0	0	0	0	0	0	0	0	
POR																		
		-	-	-	-	-	-	-	-	-	-	-	-	-	-	1	0	0

VRC[2:0]: Adjust VCIX2 output voltage. The adjusted level is indicated in the chart below VRC2-0 setting.

VRC2	VRC1	VRC0	VCIX2 voltage
0	0	0	5.1V
0	0	1	5.2V
0	1	0	5.3V
0	1	1	5.4V
1	0	0	5.5V
1	0	1	5.6V
1	1	0	5.7V
1	1	1	5.8V

Power Control 3 (R0Dh) (POR = 0809h)

R/W	DC	IB15	IB14	IB13	IB12	IB11	IB10	IB9	IB8	IB7	IB6	IB5	IB4	IB3	IB2	IB1	IB0	
W	1	0	0	0	0	0	0	0	0	0	0	0	0	0	0	0	0	
POR*																		
		-	-	-	-	-	-	-	-	-	-	-	-	-	1	0	0	1

*note: this POR value is for GAMAS[2:0] = 000, for POR values of all GAMAS[2:0] setting please refer to Table 6 – 9.

VRH[3:0]: Set amplitude magnification of V_{LCD63} . These bits amplify the V_{LCD63} voltage 1.54 to 2.725 times the Vref voltage set by VRH3-0.

VRH3	VRH2	VRH1	VRH0	V_{LCD63} Voltage
0	0	0	0	Vref x 1.540
0	0	0	1	Vref x 1.620
0	0	1	0	Vref x 1.700
0	0	1	1	Vref x 1.780
0	1	0	0	Vref x 1.850
0	1	0	1	Vref x 1.930
0	1	1	0	Vref x 2.020
0	1	1	1	Vref x 2.090
1	0	0	0	Vref x 2.165
1	0	0	1	Vref x 2.245
1	0	1	0	Vref x 2.335
1	0	1	1	Vref x 2.400
1	1	0	0	Vref x 2.500
1	1	0	1	Vref x 2.570
1	1	1	0	Vref x 2.645
1	1	1	1	Vref x 2.725

*Vref is the internal reference voltage equals to 2.0V.

Power Control 4 (R0Eh) (POR = 3200h)

R/W	DC	IB15	IB14	IB13	IB12	IB11	IB10	IB9	IB8	IB7	IB6	IB5	IB4	IB3	IB2	IB1	IB0
W	1	0	0	VCOMG	VDV4	VDV3	VDV2	VDV1	VDV0	0	0	0	0	0	0	0	0
POR*	-	-	-	1	1	0	0	1	0	-	-	-	-	-	-	-	-

*note: this POR value is for GAMAS[2:0] = 000, for POR values of all GAMAS[2:0] setting please refer to Table 6 – 9.

VcomG: When VcomG = “1”, it is possible to set output voltage of VcomL to any level, and the instruction (VDV4-0) becomes available. When VcomG = “0”, VcomL output is fixed to Hi-z level, Vcim output for VcomL power supply stops, and the instruction (VDV4-0) becomes unavailable. Set VcomG according to the sequence of power supply setting flow as it relates with power supply operating sequence.

VDV[4:0]: Set the alternating amplitudes of Vcom at the Vcom alternating drive. These bits amplify 0.6 to 1.23 times the VLCD63 voltage. When VcomG = “0”, the settings become invalid. External voltage at VcomR is referenced when VDH = “01111”.

$$VCOML = 0.9475 * VCOMH - VCOMA$$

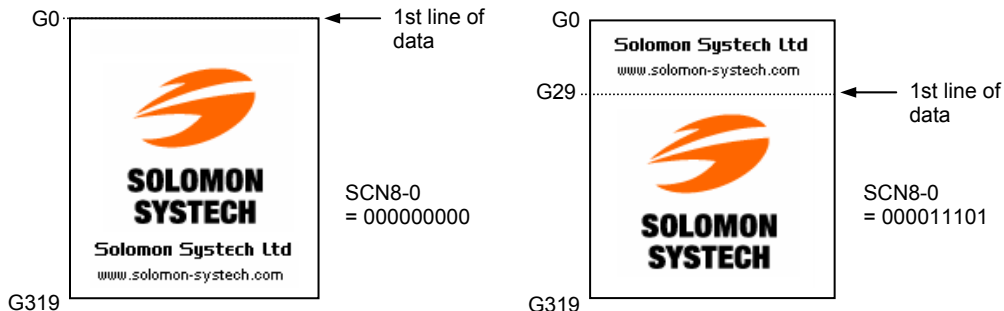
VDV4	VDV3	VDV2	VDV1	VDV0	Vcom Amplitude
0	0	0	0	0	VLCD63 x 0.60
0	0	0	0	1	VLCD63 x 0.63
0	0	0	1	0	VLCD63 x 0.66
⋮					⋮
⋮					Step = 0.03
⋮					⋮
0	1	1	0	1	VLCD63 x 0.99
0	1	1	1	0	VLCD63 x 1.02
0	1	1	1	1	Reference from external variable resistor
1	0	0	0	0	VLCD63 x 1.05
1	0	0	0	1	VLCD63 x 1.08
⋮					⋮
⋮					Step = 0.03
⋮					⋮
1	0	1	0	1	VLCD63 x 1.20
1	0	1	1	0	VLCD63 x 1.23
1	0	1	1	1	Reserved
1	1	*	*	*	Reserved

Note: Vcom amplitude < 5V

Gate Scan Position (R0Fh) (POR = 0000h)

R/W	DC	IB15	IB14	IB13	IB12	IB11	IB10	IB9	IB8	IB7	IB6	IB5	IB4	IB3	IB2	IB1	IB0
W	1	0	0	0	0	0	0	0	SCN8	SCN7	SCN6	SCN5	SCN4	SCN3	SCN2	SCN1	SCN0
POR	-	-	-	-	-	-	-	-	0	0	0	0	0	0	0	0	0

SCN[8:0]: Set the scanning starting position of the gate driver. The valid range is from 0 to 319.



Sleep mode (R10h) (POR = 0001h)

R/W	DC	IB15	IB14	IB13	IB12	IB11	IB10	IB9	IB8	IB7	IB6	IB5	IB4	IB3	IB2	IB1	IB0	
W	1	0	0	0	0	0	0	0	0	0	0	0	0	0	0	0	0	SLP
POR		-	-	-	-	-	-	-	-	-	-	-	-	-	-	-	-	1

SLP: When SLP = 1, the driver enters into the sleep mode. In the sleep mode, the internal display operations are halted except the R-C oscillator to reduce current consumption. No change in the GDDRAM data or instructions during the sleep mode is made, although it is retained.

Entry Mode (R11h) (POR = 6830h)

R/W	DC	IB15	IB14	IB13	IB12	IB11	IB10	IB9	IB8	IB7	IB6	IB5	IB4	IB3	IB2	IB1	IB0
W	1	VSMODE	DFM1	DFM0	TRANS	OEDef	WMode	DMode1	DMode0	TY1	TY0	ID1	ID0	AM	LG2	LG1	LG0
POR		0	1	1	0	1	0	0	0	0	0	1	1	0	0	0	0

VSMODE: When VSMODE = 1 at DMode[1:0] = "00", the frame frequency will be dependent on VSYNC.

DFM[1:0]: Set the color display mode.

DFM1	DFM0	Color mode
1	1	65k color (POR)
1	0	262k color

TRANS: When TRANS = 1, transparent display is allowed during DMode[1:0] = "1x".

OEDef: When OEDef = 1, OE defines the display window.

WMode: When Wmode = 0, write ram from normal data bus.

DMode[1:0]: SSD1289 allows data display from ram data or from generic input data. When DMode[1:0] = "00", it displays the ram content. When DMode[1:0] = "01", it displays from generic input data.

DMode1	DMode0	Display
0	0	Ram (POR)
0	1	Generic input

TY[1:0]: In 262k color mode, 16 bit parallel interface, there are three types of methods in writing data into the ram, Type A, B and C are described as below.

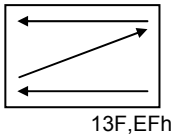
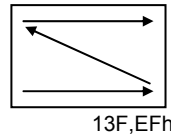
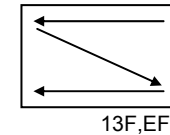
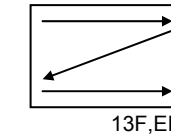
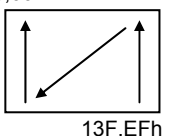
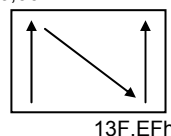
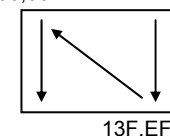
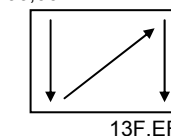
TY1	TY0	Writing mode
0	0	Type A
0	1	Type B
1	0	Type C

Interface	Color mode	Cycle	Hardware pins																
			D17	D16	D15	D14	D13	D12	D11	D10	D9	D8	D7	D6	D5	D4	D3	D2	D1
16 bit	262k Type A	1 st	R5	R4	R3	R2	R1	R0	x	x		G5	G4	G3	G2	G1	G0	x	x
		2 nd	B5	G4	B3	B2	B1	B0	x	x		R5	R4	R3	R2	R1	R0	x	x
		3 rd	G5	G4	G3	G2	G1	G0	x	x		B5	G4	B3	B2	B1	B0	x	x
	262k Type B	1 st	R5	R4	R3	R2	R1	R0	x	x		G5	G4	G3	G2	G1	G0	x	x
		2 nd	x	x	x	x	x	x	x	x		B5	G4	B3	B2	B1	B0	x	x
	262k Type C	1 st	R5	R4	R3	R2	R1	R0	x	x		G5	G4	G3	G2	G1	G0	x	x
2 nd		B5	G4	B3	B2	B1	B0	x	x		x	x	x	x	x	x	x	x	

Remark : x Don't care bits
 Not connected pins

ID[1:0]: The address counter is automatically incremented by 1, after data are written to the GDDRAM when ID[1:0] = "1". The address counter is automatically decremented by 1, after data are written to the GDDRAM when ID[1:0] = "0". The setting of incrementing or decrementing of the address counter can be made independently in each upper and lower bit of the address. The direction of the address when data are written to the GDDRAM is set with AM bits.

AM: Set the direction in which the address counter is updated automatically after data are written to the GDDRAM. When AM = "0", the address counter is updated in the horizontal direction. When AM = "1", the address counter is updated in the vertical direction. When window addresses are selected, data are written to the GDDRAM area specified by the window addresses in the manner specified with ID1-0 and AM bits.

	ID[1:0]="00" Horizontal: decrement Vertical: decrement	ID[1:0]="01" Horizontal: increment Vertical: decrement	ID[1:0]="10" Horizontal: decrement Vertical: increment	ID[1:0]="11" Horizontal: increment Vertical: increment
AM="0" Horizontal	00,00h  13F,EFh	00,00h  13F,EFh	00,00h  13F,EFh	00,00h  13F,EFh
AM="1" Vertical	00,00h  13F,EFh	00,00h  13F,EFh	00,00h  13F,EFh	00,00h  13F,EFh

LG[2:0]: Write data to the GDDRAM after comparing the write data written to the GDDRAM by the microcomputer with the values in the compare registers (CPR[5:0], CPG[5:0], CPB[5:0]) and performing a logical and arithmetic operation on them.

Horizontal Porch (R16h) (POR = EF1Ch)

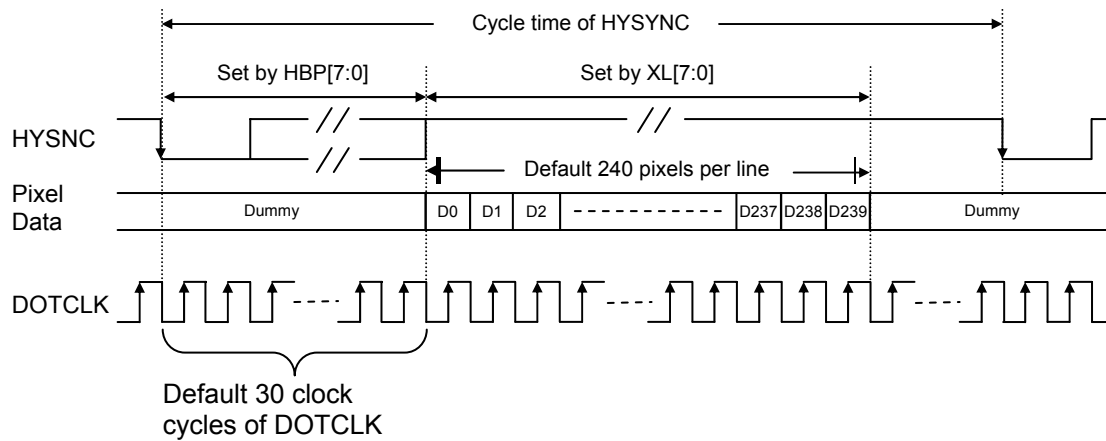
R/W	DC	IB15	IB14	IB13	IB12	IB11	IB10	IB9	IB8	IB7	IB6	IB5	IB4	IB3	IB2	IB1	IB0
W	1	XL7	XL6	XL5	XL4	XL3	XL2	XL1	XL0	HBP7	HBP6	HBP5	HBP4	HBP3	HBP2	HBP1	HBP0

XL[7:0]: Set the number of valid pixel per line. Number of valid pixel per line is equal to XL[7:0] + 1

XL7	XL6	XL5	XL4	XL3	XL2	XL1	XL0	No. of pixel per line
0	0	0	0	0	0	0	0	1
0	0	0	0	0	0	0	1	2
0	0	0	0	0	0	1	0	3
⋮								⋮
⋮								Step = 1
⋮								⋮
1	1	1	0	1	1	1	0	239
1	1	1	0	1	1	1	1	240 (POR)
1	1	1	1	0	0	0	0	Reserved
1	1	1	1	*	*	*	*	Reserved

HBP[7:0]: Set the delay period from falling edge of HSYNC signal to first valid data. The pixel data exceed the range set by XL[7:0] and before the first valid data will be treated as dummy data.

HBP7	HBP6	HBP5	HBP4	HBP3	HBP2	HBP1	HBP0	No. of clock cycle of DOTCLK
0	0	0	0	0	0	0	0	2
0	0	0	0	0	0	0	1	3
⋮								Step = 1
⋮								⋮
0	0	0	1	1	0	1	0	28
0	0	0	1	1	0	1	1	29
0	0	0	1	1	1	0	0	30 (POR)
0	0	0	1	1	1	0	1	31
0	0	0	1	1	1	1	0	32
⋮								Step = 1
⋮								⋮
1	1	1	1	1	1	1	0	256
1	1	1	1	1	1	1	1	257



Vertical Porch (R17h) (POR = 0003h)

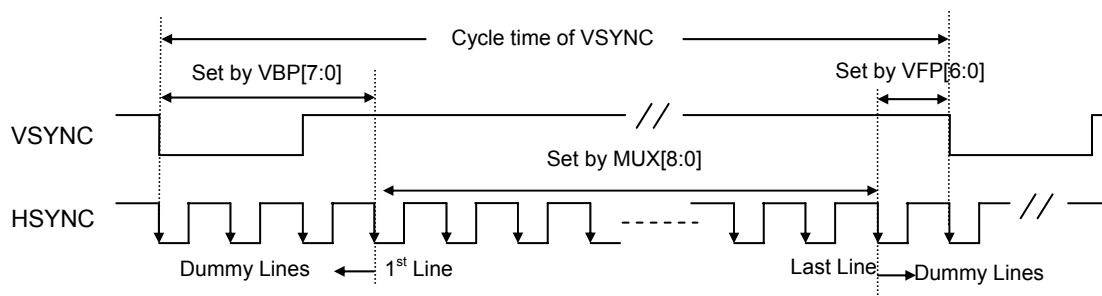
R/W	DC	IB15	IB14	IB13	IB12	IB11	IB10	IB9	IB8	IB7	IB6	IB5	IB4	IB3	IB2	IB1	IB0
W	1	0	VFP6	VFP5	VFP4	VFP3	VFP2	VFP1	VFP0	VBP7	VBP6	VBP5	VBP4	VBP3	VBP2	VBP1	VBP0
POR	-	0	0	0	0	0	0	0	0	0	0	0	0	0	0	1	1

VFP[6:0]: Set the delay period from the last valid line to the falling edge of VSYNC of the next frame. The line data within this delay period will be treated as dummy line.

VFP6	VFP5	VFP4	VFP3	VFP2	VFP1	VFP0	No. of clock cycle of HSYNC
0	0	0	0	0	0	0	1 (POR)
0	0	0	0	0	0	1	2
:	:						Step = 1
:	:						:
1	1	1	1	1	1	0	127
1	1	1	1	1	1	1	128

VBP[7:0]: Set the delay period from falling edge of VSYNC to first valid line. The line data within this delay period will be treated as dummy line.

VBP7	VBP6	VBP5	VBP4	VBP3	VBP2	VBP1	VBP0	No. of clock cycle of HSYNC
0	0	0	0	0	0	0	0	1
0	0	0	0	0	0	0	1	2
0	0	0	0	0	0	1	0	3
0	0	0	0	0	0	1	1	4 (POR)
:	:	:	:	:	:	:	:	Step = 1
:	:	:	:	:	:	:	:	:
1	1	1	1	1	1	1	0	255
1	1	1	1	1	1	1	1	256



Power Control 5 (R1Eh) (POR = 0029h)

R/W	DC	IB15	IB14	IB13	IB12	IB11	IB10	IB9	IB8	IB7	IB6	IB5	IB4	IB3	IB2	IB1	IB0
W	1	0	0	0	0	0	0	0	0	nOTP	0	VCM5	VCM4	VCM3	VCM2	VCM1	VCM0
POR*		-	-	-	-	-	-	-	-	0	-	1	0	1	0	0	1

*note: this POR value is for GAMAS[2:0] = 000, for POR values of all GAMAS[2:0] setting please refer to Table 6 – 9.

nOTP: nOTP equals to “0” after power on reset and VcomH voltage equals to programmed OTP value. When nOTP set to “1”, setting of VCM[5:0] becomes valid and voltage of VcomH can be adjusted.

VCM[5:0]: Set the VcomH voltage if nOTP = “1”. These bits amplify the VcomH voltage 0.35 to 0.99 times the VLCD63 voltage. Default value is “101001” when power on reset.

VCM5	VCM4	VCM3	VCM2	VCM1	VCM0	VcomH
0	0	0	0	0	0	VLCD63 x 0.35
0	0	0	0	0	1	VLCD63 x 0.36
						:
						:
						Step = 0.01
						:
1	1	1	1	1	0	VLCD63 x 0.98
1	1	1	1	1	1	VLCD63 x 0.99

Write Data to GRAM (R22h)

R/W	DC	D[17:0]
W	1	WD[17:0] mapping depends on the interface setting

WD[17:0]: Transforms all the GDDRAM data into 18-bit, and writes the data. Format for transforming data into 18-bit depends on the interface used. SSD1289 selects the grayscale level according to the GDDRAM data. After writing data to GDDRAM, address is automatically updated according to AM bit and ID bit. Access to GDDRAM during stand-by mode is not available.

Read Data from GRAM (R22h)

R/W	DC	D[17:0]
R	1	RD[17:0] mapping depends on the interface setting

RD[17:0]: Read 18-bit data from the GDDRAM. When the data is read to the microcomputer, the first-word read immediately after the GDDRAM address setting is latched from the GDDRAM to the internal read-data latch. The data on the data bus (DB17–0) becomes invalid and the second-word read is normal. When bit processing, such as a logical operation, is performed, only one read can be processed since the latched data in the first word is used.

RAM write data mask (R23h – R24h) (POR = 0000h)

Reg#	R/W	DC	IB15	IB14	IB13	IB12	IB11	IB10	IB9	IB8	IB7	IB6	IB5	IB4	IB3	IB2	IB1	IB0
R23h	W	1	WMR	WMR	WMR	WMR	WMR	WMR	0	0	WMB	WMB	WMB	WMB	WMB	WMB	0	0
	POR		0	0	0	0	0	0	0	-	-	0	0	0	0	0	0	-
R24h	W	1	0	0	0	0	0	0	0	0	WMB	WMB	WMB	WMB	WMB	WMB	0	0
	POR		-	-	-	-	-	-	-	-	-	0	0	0	0	0	0	-

WMR[5:0], WMB[5:0], WMB[5:0]: In writing to the GDDRAM, these bits write-mask the data to be written to the GDDRAM by a bit unit. For example, if WMR5 = 1, the WMR5 write-mask is enabled and data RR5 will be masked and not write into the GDDRAM. WMR[5:0] mask pins RR[5:0], WMB[5:0] mask pins GG[5:0], and WMB[5:0] mask pins BB[5:0]. For writing GDDRAM methods, refer to Section 14 Interface Mapping”.

Vcom OTP (R28h – R29h)

Reg#	R/W	DC	IB15	IB14	IB13	IB12	IB11	IB10	IB9	IB8	IB7	IB6	IB5	IB4	IB3	IB2	IB1	IB0
R28h	W	1	0	0	0	0	0	0	0	0	0	0	0	0	0	1	1	0
R29h	W	1	1	0	0	0	0	0	0	0	1	1	0	0	0	0	0	0

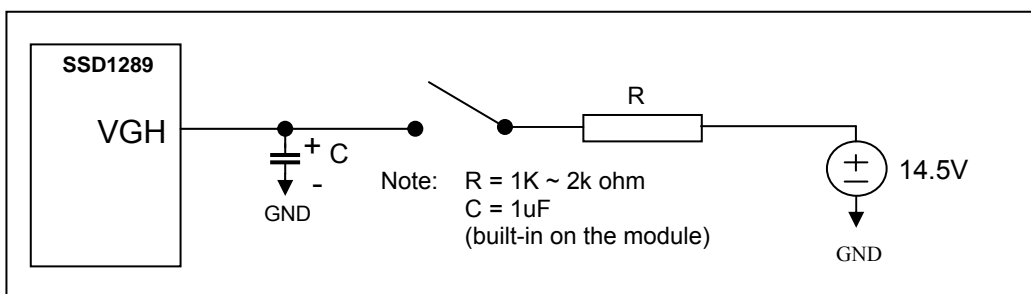
When OTP is access, these registers must be set accordantly.

OTP programming sequence

Step	Operation								
1	Power up the module at VCI = 2.7V, VDD = VDDIO = 1.8V. Turn on the display as normal to 65k/262k color mode (displaying a test pattern if any).								
2	Set nOTP to "1" (R1Eh) and optimizes VcomH by adjusting VCM[5:0] (R1Eh).								
3	Power down the whole module.								
4	Connect a supply to the module at VCI = 2.7V, VDD = VDDIO = 1.8V								
5	Write below commands for OTP initialization and wait for 200ms for activate the OTP : <table border="1" style="margin-left: 40px;"> <thead> <tr> <th>Index</th> <th>Value</th> </tr> </thead> <tbody> <tr> <td>R00h</td> <td>0x0001</td> </tr> <tr> <td>R28h</td> <td>0x0006</td> </tr> <tr> <td>R29h</td> <td>0x80C0</td> </tr> </tbody> </table> Connect a 14.5V supply to VGH through a current limiting resistor, see figure below.	Index	Value	R00h	0x0001	R28h	0x0006	R29h	0x80C0
Index	Value								
R00h	0x0001								
R28h	0x0006								
R29h	0x80C0								
6	Write the optimized value found in Step 2 to VCM[5:0] (R1Eh) and set nOTP to "1".								
7	Fire the OTP by write HEX code "000Ah" to register R28h.								
8	Wait at least 2 seconds.								
9	OTP complete. Power down the whole module and remove 14.5V supply.								

Note: nOTP must set to "0" to activate the OTP effect.

Figure 1 – OTP circuitry



Gamma Control (R30h to R3Bh)

Reg#	R/W	DC	IB15	IB14	IB13	IB12	IB11	IB10	IB9	IB8	IB7	IB6	IB5	IB4	IB3	IB2	IB1	IB0	
R30h	W	1	0	0	0	0	0	PKP 12	PKP 11	PKP 10	0	0	0	0	0	PKP 02	PKP 01	PKP 00	
R31h	W	1	0	0	0	0	0	PKP 32	PKP 31	PKP 30	0	0	0	0	0	PKP 22	PKP 21	PKP 20	
R32h	W	1	0	0	0	0	0	PKP 52	PKP 51	PKP 50	0	0	0	0	0	PKP 42	PKP 41	PKP 40	
R33h	W	1	0	0	0	0	0	PRP 12	PRP 11	PRP 10	0	0	0	0	0	PRP 02	PRP 01	PRP 00	
R34h	W	1	0	0	0	0	0	PKN 12	PKN 11	PKN 10	0	0	0	0	0	PKN 02	PKN 01	PKN 00	
R35h	W	1	0	0	0	0	0	PKN 32	PKN 31	PKN 30	0	0	0	0	0	PKN 22	PKN 21	PKN 20	
R36h	W	1	0	0	0	0	0	PKN 52	PKN 51	PKN 50	0	0	0	0	0	PKN 42	PKN 41	PKN 40	
R37h	W	1	0	0	0	0	0	PRN 12	PRN 11	PRN 10	0	0	0	0	0	PRN 02	PRN 01	PRN 00	
R3Ah	W	1	0	0	0	VRP 14	VRP 13	VRP 12	VRP 11	VRP 10	0	0	0	0	0	VRP 03	VRP 02	VRP 01	VRP 00
R3Bh	W	1	0	0	0	VRN 14	VRN 13	VRN 12	VRN 11	VRN 10	0	0	0	0	0	VRN 03	VRN 02	VRN 01	VRN 00

PKP[52:00]: Gamma micro adjustment register for the positive polarity output

PRP[12:00]: Gradient adjustment register for the positive polarity output

VRP[14:00]: Adjustment register for amplification adjustment of the positive polarity output

PKN[52:00]: Gamma micro adjustment register for the negative polarity output

PRN[12:00]: Gradient adjustment register for the negative polarity output

VRN[14:00]: Adjustment register for the amplification adjustment of the negative polarity output.
(For details, see the Section 11 Gamma Adjustment Function).

Vertical Scroll Control (R41h-R42h) (POR =0000h)

Reg#	R/W	DC	IB15	IB14	IB13	IB12	IB11	IB10	IB9	IB8	IB7	IB6	IB5	IB4	IB3	IB2	IB1	IB0
R41h	W	1	0	0	0	0	0	0	0	VL18	VL17	VL16	VL15	VL14	VL13	VL12	VL11	VL10
	POR			-	-	-	-	-	-	0	0	0	0	0	0	0	0	0
R42h	W	1	0	0	0	0	0	0	0	VL28	VL27	VL26	VL25	VL24	VL23	VL22	VL21	VL20
	POR			-	-	-	-	-	-	0	0	0	0	0	0	0	0	0

VL1[8:0]: Specify scroll length at the scroll display for vertical smooth scrolling. Any raster-row from the first to 320th can be scrolled for the number of the raster-row. After 320th raster-row is displayed, the display restarts from the first raster-row. The display-start raster-row (VL1[8:0]) is valid when VLE1 = "1" or VLE2 = "1". The raster-row display is fixed when VLE[2:1] = "00".

VL2[8:0]: Specify scroll length at the scroll display for vertical smooth scrolling at 2nd screen. The display-start raster-row (VL2[8:0]) is valid when VLE1 = "1" and VLE2 = "1".

Horizontal RAM address position (R44h) (POR = EF00h)

R/W	DC	IB15	IB14	IB13	IB12	IB11	IB10	IB9	IB8	IB7	IB6	IB5	IB4	IB3	IB2	IB1	IB0
W	1	HEA7	HEA6	HEA5	HEA4	HEA3	HEA2	HEA1	HEA0	HSA7	HSA6	HSA5	HSA4	HSA3	HSA2	HSA1	HSA0
POR		1	1	1	0	1	1	1	1	0	0	0	0	0	0	0	0

HSA[7:0]/HEA[7:0]: Specify the start/end positions of the window address in the horizontal direction by an address unit. Data are written to the GDDRAM within the area determined by the addresses specified by HEA[7:0] and HSA[7:0]. These addresses must be set before the RAM write. In setting these bits, make sure that "00" h ≤ HSA[7:0] ≤ HEA[7:0] ≤ "EF" h.

Vertical RAM address position (R45h-R46h)

Reg#	R/W	DC	IB15	IB14	IB13	IB12	IB11	IB10	IB9	IB8	IB7	IB6	IB5	IB4	IB3	IB2	IB1	IB0
R45h	W	1	0	0	0	0	0	0	0	VSA8	VSA7	VSA6	VSA5	VSA4	VSA3	VSA2	VSA1	VSA0
	POR		-	-	-	-	-	-	-	0	0	0	0	0	0	0	0	0
R46h	W	1	0	0	0	0	0	0	0	VEA8	VEA7	VEA6	VEA5	VEA4	VEA3	VEA2	VEA1	VEA0
	POR		-	-	-	-	-	-	-	1	0	0	1	1	1	1	1	1

VSA[8:0]/VEA[8:0]: Specify the start/end positions of the window address in the vertical direction by an address unit. Data are written to the GRAM within the area determined by the addresses specified by VEA[8:0] and VSA[8:0]. These addresses must be set before the RAM write. In setting these bits, make sure that "00" h \leq VSA[8:0] \leq VEA[8:0] \leq "13F" h.

1st Screen driving position (R48h-R49h)

Reg#	R/W	DC	IB15	IB14	IB13	IB12	IB11	IB10	IB9	IB8	IB7	IB6	IB5	IB4	IB3	IB2	IB1	IB0
R48h	W	1	0	0	0	0	0	0	0	SS18	SS17	SS16	SS15	SS14	SS13	SS12	SS11	SS10
	POR		-	-	-	-	-	-	-	0	0	0	0	0	0	0	0	0
R49h	W	1	0	0	0	0	0	0	0	SE18	SE17	SE16	SE15	SE14	SE13	SE12	SE11	SE10
	POR		-	-	-	-	-	-	-	1	0	0	1	1	1	1	1	1

SS1[8:0]: Specify the driving start position for the first screen in a line unit. The LCD driving starts from the set gate driver, i.e. the first driving Gate is G0 if SS1[8:0] = 00H

SE1[8:0]: Specify the driving end position for the first screen in a line unit. The LCD driving is performed to the set gate driver. For instance, when SS1[8:0] = "07" H and SE1[8:0] = "10" H are set, the LCD driving is performed from G7 to G16, and non-selection driving is performed for G1 to G6, G17, and others. Ensure that SS1[8:0] \leq SE1[8:0] \leq 13FH.

2nd Screen driving position (R4Ah-R4Bh)

Reg#	R/W	DC	IB15	IB14	IB13	IB12	IB11	IB10	IB9	IB8	IB7	IB6	IB5	IB4	IB3	IB2	IB1	IB0
R4Ah	W	1	0	0	0	0	0	0	0	SS28	SS27	SS26	SS25	SS24	SS23	SS22	SS21	SS20
	POR		-	-	-	-	-	-	-	0	0	0	0	0	0	0	0	0
R4Bh	W	1	0	0	0	0	0	0	0	SE28	SE27	SE26	SE25	SE24	SE23	SE22	SE21	SE20
	POR		-	-	-	-	-	-	-	1	0	0	1	1	1	1	1	1

SS2[8:0]: Specify the driving start position for the second screen in a line unit. The LCD driving starts from the set gate driver. The second screen is driven when SPT = "1".

SE2[8:0]: Specify the driving end position for the second screen in a line unit. The LCD driving is performed to the set gate driver. For instance, when SPT = "1", SS2[8:0] = "20" H, and SE2[8:0] = "2F" H are set, the LCD driving is performed from G32 to G47. Ensure that SS1[8:0] \leq SE1[8:0] ; SS2[8:0] \leq SE2[8:0] \leq 13FH.

RAM address set (R4Eh-R4Fh)

Reg#	R/W	DC	IB15	IB14	IB13	IB12	IB11	IB10	IB9	IB8	IB7	IB6	IB5	IB4	IB3	IB2	IB1	IB0	
R4Eh	W	1	0	0	0	0	0	0	0	0	XAD7	XAD6	XAD5	XAD4	XAD3	XAD2	XAD1	XAD0	
	POR		-	-	-	-	-	-	-	-	0	0	0	0	0	0	0	0	0
R4Fh	W	1	0	0	0	0	0	0	0	0	YAD8	YAD7	YAD6	YAD5	YAD4	YAD3	YAD2	YAD1	YAD0
	POR		-	-	-	-	-	-	-	-	0	0	0	0	0	0	0	0	0

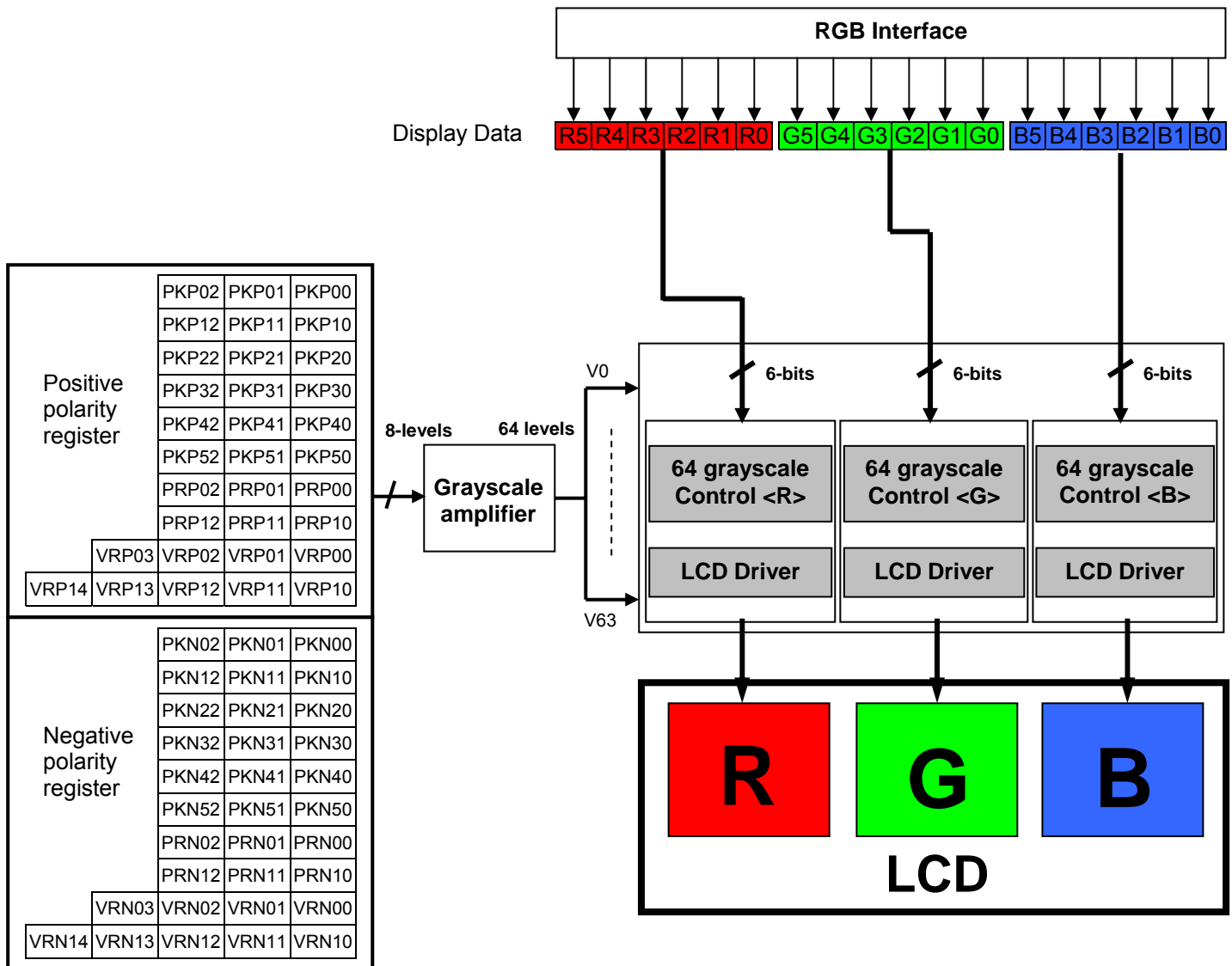
XAD[7:0]: Make initial settings for the GDDRAM X address in the address counter (AC).

YAD[8:0]: Make initial settings for the GDDRAM Y address in the address counter (AC).

After GDDRAM data are written, the address counter is automatically updated according to the settings with AM, I/D bits and setting for a new GDDRAM address is not required in the address counter. Therefore, data are written consecutively without setting an address. The address counter is not automatically updated when data are read out from the GDDRAM. GDDRAM address setting cannot be made during the standby mode. The address setting should be made within the area designated with window addresses.

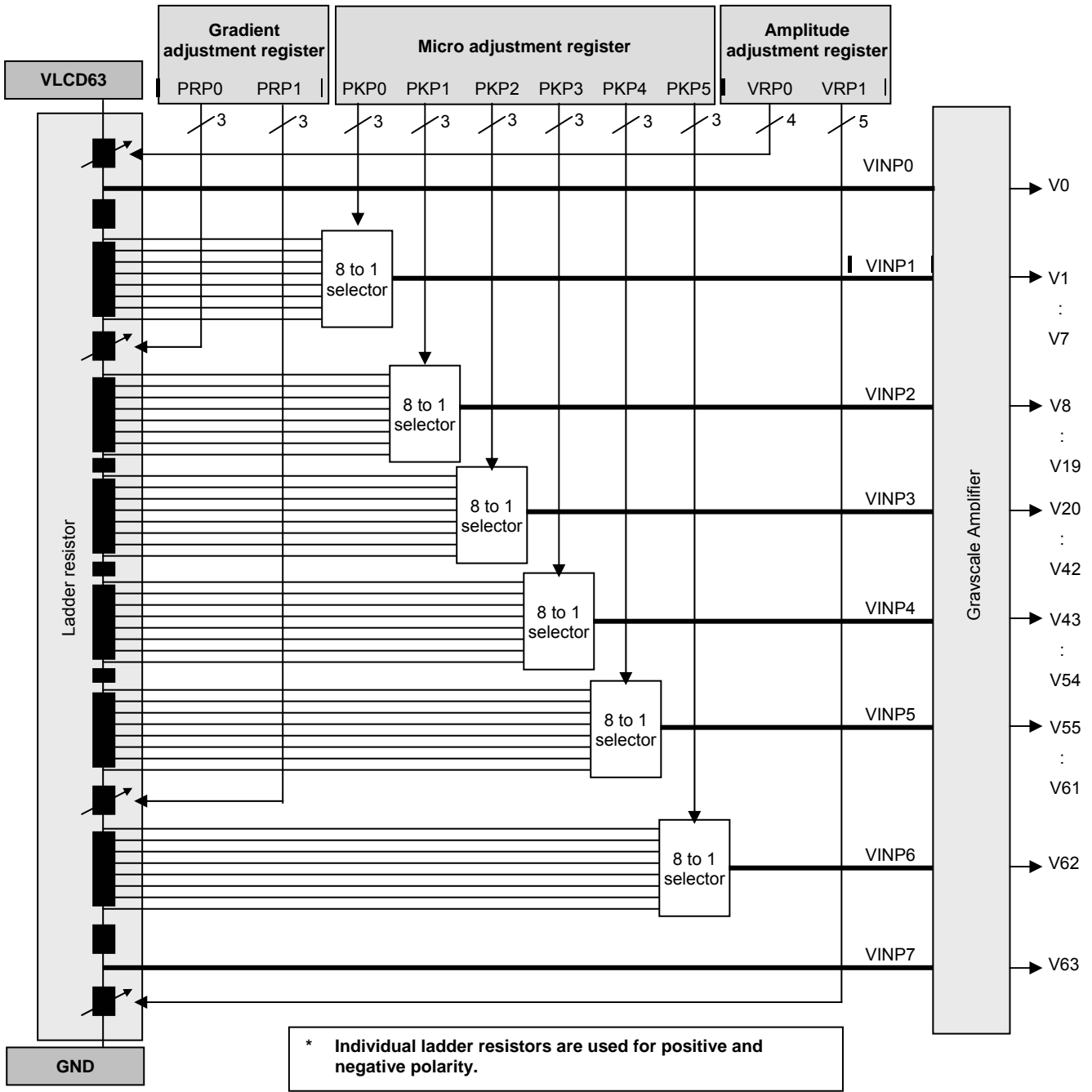
11 Gamma Adjustment Function

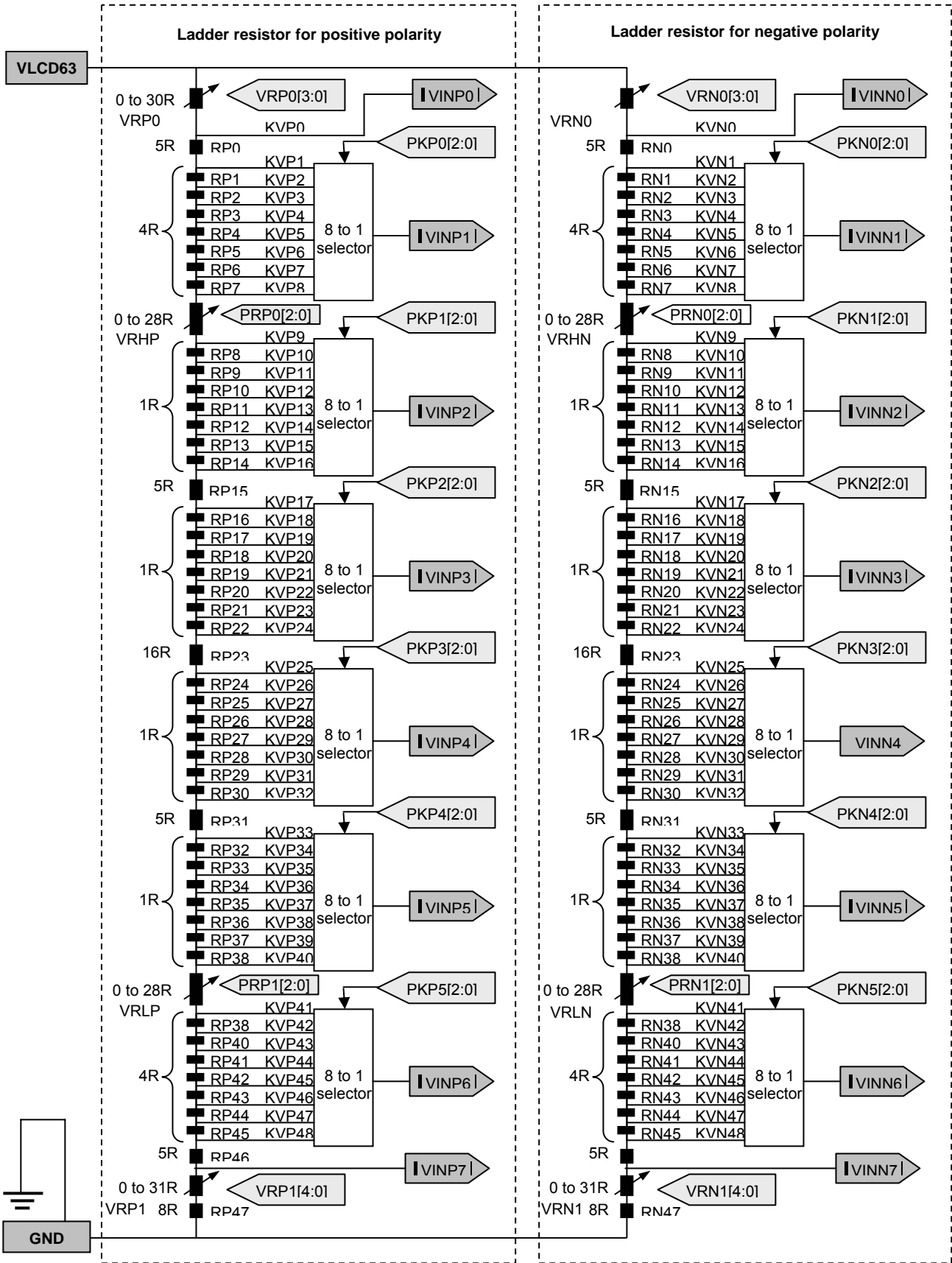
The SSD1289 incorporates gamma adjustment function for the 262,144-color display. Gamma adjustment is implemented by deciding the 8-grayscale levels with angle adjustment and micro adjustment register. Also, angle adjustment and micro adjustment is fixed for each of the internal positive and negative polarity. Set up by the liquid crystal panel's specification.



11.1 Structure of Grayscale Amplifier

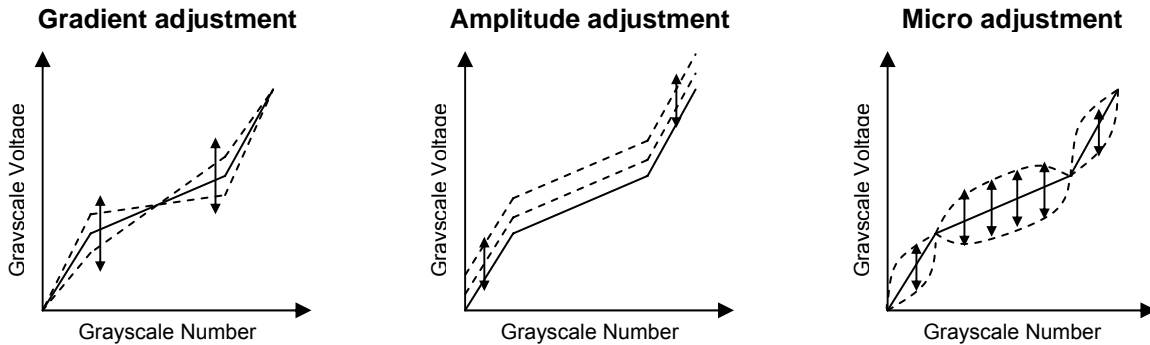
Below figure indicates the structure of the grayscale amplifier. It determines 8 levels (VIN0-VIN7) by the gradient adjuster and the micro adjustment register. Also, dividing these levels with ladder resistors generates V0 to V63.





11.2 Gamma Adjustment Register

This block is the register to set up the grayscale voltage adjusting to the gamma specification of the LCD panel. This register can independent set up to positive/negative polarities and there are three types of register groups to adjust gradient, amplitude, and micro-adjustment on number of the grayscale, characteristics of the grayscale voltage. (Using the same setting for Reference-value and R.G.B.) Following graphics indicates the operation of each adjusting register.



11.2.1 Gradient adjusting register

The gradient-adjusting resistor is to adjust around middle gradient, specification of the grayscale number and the grayscale voltage without changing the dynamic range. To accomplish the adjustment, it controls the variable resistors in the middle of the ladder resistor by registers (PRP(N)0 / PRP(N)1) for the grayscale voltage generator. Also, there is an independent resistor on the positive/negative polarities in order for corresponding to asymmetry drive.

11.2.2 Amplitude adjusting register

The amplitude-adjusting resistor is to adjust amplitude of the grayscale voltage. To accomplish the adjustment, it controls the variable resistors in the boundary of the ladder resistor by registers (VRP(N)0 / VRP(N)1) for the grayscale voltage generator. Also, there is an independent resistor on the positive/negative polarities as well as the gradient-adjusting resistor.

11.2.3 Micro adjusting register

The micro-adjusting register is to make subtle adjustment of the grayscale voltage level. To accomplish the adjustment, it controls each reference voltage level by the 8 to 1 selector towards the 8-level reference voltage generated from the ladder resistor. Also, there is an independent resistor on the positive/negative polarities as well as other adjusting resistors.

11.3 Ladder Resistor / 8 to 1 selector

This block outputs the reference voltage of the grayscale voltage. There are two ladder resistors including the variable resistor and the 8 to 1 selector selecting voltage generated by the ladder resistor. The gamma registers control the variable resistors and 8 to 1 selector resistors.

Variable Resistor

There are 3 types of the variable resistors that are for the gradient and amplitude adjustment. The resistance is set by the resistor (PRP(N)0 / PRP(N)1) and (VRP(N)0 / VRP(N)1) as below.

PRP(N)[0:1]	Resistance
000	0R
001	4R
010	8R
011	12R
100	16R
101	20R
110	24R
111	28R

VRP(N)0	Resistance
0000	0R
0001	2R
0010	4R
:	:
Step = 2R	
:	:
1110	28R
1111	30R

VRP(N)1	Resistance
00000	0R
00001	1R
00010	2R
:	:
Step = 1R	
:	:
11110	30R
11111	31R

8 to 1 selector

In the 8 to 1 selector, a reference voltage VIN can be selected from the levels which are generated by the ladder resistors. There are six types of reference voltage (VIN1 to VIN6) and totally 48 divided voltages can be selected in one ladder resistor. Following figure explains the relationship between the micro-adjusting register and the selecting voltage.

Positive polarity							Negative polarity						
Registor PKP[2:0]	Selected voltage						Registor PKN[2:0]	Selected voltage					
	VINP1	VINP2	VINP3	VINP4	VINP5	VINP6		VINN1	VINN2	VINN3	VINN4	VINN5	VINN6
000	KVP1	KVP9	KVP17	KVP25	KVP33	KVP41	000	KVN1	KVN9	KVN17	KVN25	KVN33	KVN41
001	KVP2	KVP10	KVP18	KVP26	KVP34	KVP42	001	KVN2	KVN10	KVN18	KVN26	KVN34	KVN42
010	KVP3	KVP11	KVP19	KVP27	KVP35	KVP43	010	KVN3	KVN11	KVN19	KVN27	KVN35	KVN43
011	KVP4	KVP12	KVP20	KVP28	KVP36	KVP44	011	KVN4	KVN12	KVN20	KVN28	KVN36	KVN44
100	KVP5	KVP13	KVP21	KVP29	KVP37	KVP45	100	KVN5	KVN13	KVN21	KVN29	KVN37	KVN45
101	KVP6	KVP14	KVP22	KVP30	KVP38	KVP46	101	KVN6	KVN14	KVN22	KVN30	KVN38	KVN46
110	KVP7	KVP15	KVP23	KVP31	KVP39	KVP47	110	KVN7	KVN15	KVN23	KVN31	KVN39	KVN47
111	KVP8	KVP16	KVP24	KVP32	KVP40	KVP48	111	KVN8	KVN16	KVN24	KVN32	KVN40	KVN48

Grayscale voltage	Formula	Grayscale voltage	Formula	Grayscale voltage	Formula
V0	VINP(N)0	V22	$V43+(V20-V43)*(21/23)$	V44	$V55+(V43-V55)*(22/24)$
V1	VINP(N)1	V23	$V43+(V20-V43)*(20/23)$	V45	$V55+(V43-V55)*(20/24)$
V2	$V8+(V1-V8)*(30/48)$	V24	$V43+(V20-V43)*(19/23)$	V46	$V55+(V43-V55)*(18/24)$
V3	$V8+(V1-V8)*(23/48)$	V25	$V43+(V20-V43)*(18/23)$	V47	$V55+(V43-V55)*(16/24)$
V4	$V8+(V1-V8)*(16/48)$	V26	$V43+(V20-V43)*(17/23)$	V48	$V55+(V43-V55)*(14/24)$
V5	$V8+(V1-V8)*(12/48)$	V27	$V43+(V20-V43)*(16/23)$	V49	$V55+(V43-V55)*(12/24)$
V6	$V8+(V1-V8)*(8/48)$	V28	$V43+(V20-V43)*(15/23)$	V50	$V55+(V43-V55)*(10/24)$
V7	$V8+(V1-V8)*(4/48)$	V29	$V43+(V20-V43)*(14/23)$	V51	$V55+(V43-V55)*(8/24)$
V8	VINP(N)2	V30	$V43+(V20-V43)*(13/23)$	V52	$V55+(V43-V55)*(6/24)$
V9	$V20+(V8-V20)*(22/24)$	V31	$V43+(V20-V43)*(12/23)$	V53	$V55+(V43-V55)*(4/24)$
V10	$V20+(V8-V20)*(20/24)$	V32	$V43+(V20-V43)*(11/23)$	V54	$V55+(V43-V55)*(2/24)$
V11	$V20+(V8-V20)*(18/24)$	V33	$V43+(V20-V43)*(10/23)$	V55	VINP(N)5
V12	$V20+(V8-V20)*(16/24)$	V34	$V43+(V20-V43)*(9/23)$	V56	$V62+(V55-V62)*(44/48)$
V13	$V20+(V8-V20)*(14/24)$	V35	$V43+(V20-V43)*(8/23)$	V57	$V62+(V55-V62)*(40/48)$
V14	$V20+(V8-V20)*(12/24)$	V36	$V43+(V20-V43)*(7/23)$	V58	$V62+(V55-V62)*(36/48)$
V15	$V20+(V8-V20)*(10/24)$	V37	$V43+(V20-V43)*(6/23)$	V59	$V62+(V55-V62)*(32/48)$
V16	$V20+(V8-V20)*(8/24)$	V38	$V43+(V20-V43)*(5/23)$	V60	$V62+(V55-V62)*(25/48)$
V17	$V20+(V8-V20)*(6/24)$	V39	$V43+(V20-V43)*(4/23)$	V61	$V62+(V55-V62)*(18/48)$
V18	$V20+(V8-V20)*(4/24)$	V40	$V43+(V20-V43)*(3/23)$	V62	VINP(N)6
V19	$V20+(V8-V20)*(2/24)$	V41	$V43+(V20-V43)*(2/23)$	V63	VINP(N)7
V20	VINP(N)3	V42	$V43+(V20-V43)*(1/23)$		
V21	$V43+(V20-V43)*(22/23)$	V43	VINP(N)4		

Reference voltage of positive polarity:

Reference	Formula	Micr0-adjusting rgister	Reference voltage
KVP0	$VLCD63 - \Delta V \times VRP0 / SUMRP$	--	VINP0
KVP1	$VLCD63 - \Delta V \times (VRP0 + 5R) / SUMRP$	PKP0[2:0] = "000"	VINP1
KVP2	$VLCD63 - \Delta V \times (VRP0 + 9R) / SUMRP$	PKP0[2:0] = "001"	
KVP3	$VLCD63 - \Delta V \times (VRP0 + 13R) / SUMRP$	PKP0[2:0] = "010"	
KVP4	$VLCD63 - \Delta V \times (VRP0 + 17R) / SUMRP$	PKP0[2:0] = "011"	
KVP5	$VLCD63 - \Delta V \times (VRP0 + 21R) / SUMRP$	PKP0[2:0] = "100"	
KVP6	$VLCD63 - \Delta V \times (VRP0 + 25R) / SUMRP$	PKP0[2:0] = "101"	
KVP7	$VLCD63 - \Delta V \times (VRP0 + 29R) / SUMRP$	PKP0[2:0] = "110"	
KVP8	$VLCD63 - \Delta V \times (VRP0 + 33R) / SUMRP$	PKP0[2:0] = "111"	
KVP9	$VLCD63 - \Delta V \times (VRP0 + 33R + VRHP) / SUMRP$	PKP1[2:0] = "000"	VINP2
KVP10	$VLCD63 - \Delta V \times (VRP0 + 34R + VRHP) / SUMRP$	PKP1[2:0] = "001"	
KVP11	$VLCD63 - \Delta V \times (VRP0 + 35R + VRHP) / SUMRP$	PKP1[2:0] = "010"	
KVP12	$VLCD63 - \Delta V \times (VRP0 + 36R + VRHP) / SUMRP$	PKP1[2:0] = "011"	
KVP13	$VLCD63 - \Delta V \times (VRP0 + 37R + VRHP) / SUMRP$	PKP1[2:0] = "100"	
KVP14	$VLCD63 - \Delta V \times (VRP0 + 38R + VRHP) / SUMRP$	PKP1[2:0] = "101"	
KVP15	$VLCD63 - \Delta V \times (VRP0 + 39R + VRHP) / SUMRP$	PKP1[2:0] = "110"	
KVP16	$VLCD63 - \Delta V \times (VRP0 + 40R + VRHP) / SUMRP$	PKP1[2:0] = "111"	
KVP17	$VLCD63 - \Delta V \times (VRP0 + 45R + VRHP) / SUMRP$	PKP2[2:0] = "000"	VINP3
KVP18	$VLCD63 - \Delta V \times (VRP0 + 46R + VRHP) / SUMRP$	PKP2[2:0] = "001"	
KVP19	$VLCD63 - \Delta V \times (VRP0 + 47R + VRHP) / SUMRP$	PKP2[2:0] = "010"	
KVP20	$VLCD63 - \Delta V \times (VRP0 + 48R + VRHP) / SUMRP$	PKP2[2:0] = "011"	
KVP21	$VLCD63 - \Delta V \times (VRP0 + 49R + VRHP) / SUMRP$	PKP2[2:0] = "100"	
KVP22	$VLCD63 - \Delta V \times (VRP0 + 50R + VRHP) / SUMRP$	PKP2[2:0] = "101"	
KVP23	$VLCD63 - \Delta V \times (VRP0 + 51R + VRHP) / SUMRP$	PKP2[2:0] = "110"	
KVP24	$VLCD63 - \Delta V \times (VRP0 + 52R + VRHP) / SUMRP$	PKP2[2:0] = "111"	
KVP25	$VLCD63 - \Delta V \times (VRP0 + 68R + VRHP) / SUMRP$	PKP3[2:0] = "000"	VINP4
KVP26	$VLCD63 - \Delta V \times (VRP0 + 69R + VRHP) / SUMRP$	PKP3[2:0] = "001"	
KVP27	$VLCD63 - \Delta V \times (VRP0 + 70R + VRHP) / SUMRP$	PKP3[2:0] = "010"	
KVP28	$VLCD63 - \Delta V \times (VRP0 + 71R + VRHP) / SUMRP$	PKP3[2:0] = "011"	
KVP29	$VLCD63 - \Delta V \times (VRP0 + 72R + VRHP) / SUMRP$	PKP3[2:0] = "100"	
KVP30	$VLCD63 - \Delta V \times (VRP0 + 73R + VRHP) / SUMRP$	PKP3[2:0] = "101"	
KVP31	$VLCD63 - \Delta V \times (VRP0 + 74R + VRHP) / SUMRP$	PKP3[2:0] = "110"	
KVP32	$VLCD63 - \Delta V \times (VRP0 + 75R + VRHP) / SUMRP$	PKP3[2:0] = "111"	
KVP33	$VLCD63 - \Delta V \times (VRP0 + 80R + VRHP) / SUMRP$	PKP4[2:0] = "000"	VINP5
KVP34	$VLCD63 - \Delta V \times (VRP0 + 81R + VRHP) / SUMRP$	PKP4[2:0] = "001"	
KVP35	$VLCD63 - \Delta V \times (VRP0 + 82R + VRHP) / SUMRP$	PKP4[2:0] = "010"	
KVP36	$VLCD63 - \Delta V \times (VRP0 + 83R + VRHP) / SUMRP$	PKP4[2:0] = "011"	
KVP37	$VLCD63 - \Delta V \times (VRP0 + 84R + VRHP) / SUMRP$	PKP4[2:0] = "100"	
KVP38	$VLCD63 - \Delta V \times (VRP0 + 85R + VRHP) / SUMRP$	PKP4[2:0] = "101"	
KVP39	$VLCD63 - \Delta V \times (VRP0 + 86R + VRHP) / SUMRP$	PKP4[2:0] = "110"	
KVP40	$VLCD63 - \Delta V \times (VRP0 + 87R + VRHP) / SUMRP$	PKP4[2:0] = "111"	
KVP41	$VLCD63 - \Delta V \times (VRP0 + 87R + VRHP + VRLP) / SUMRP$	PKP5[2:0] = "000"	VINP6
KVP42	$VLCD63 - \Delta V \times (VRP0 + 91R + VRHP + VRLP) / SUMRP$	PKP5[2:0] = "001"	
KVP43	$VLCD63 - \Delta V \times (VRP0 + 95R + VRHP + VRLP) / SUMRP$	PKP5[2:0] = "010"	
KVP44	$VLCD63 - \Delta V \times (VRP0 + 99R + VRHP + VRLP) / SUMRP$	PKP5[2:0] = "011"	
KVP45	$VLCD63 - \Delta V \times (VRP0 + 103R + VRHP + VRLP) / SUMRP$	PKP5[2:0] = "100"	
KVP46	$VLCD63 - \Delta V \times (VRP0 + 107R + VRHP + VRLP) / SUMRP$	PKP5[2:0] = "101"	
KVP47	$VLCD63 - \Delta V \times (VRP0 + 111R + VRHP + VRLP) / SUMRP$	PKP5[2:0] = "110"	
KVP48	$VLCD63 - \Delta V \times (VRP0 + 115R + VRHP + VRLP) / SUMRP$	PKP5[2:0] = "111"	
KVP49	$VLCD63 - \Delta V \times (VRP0 + 120R + VRHP + VRLP) / SUMRP$	--	VINP7

SUMRP: Total of the positive polarity ladder resistance = 128R + VRHP + VRLP + VRP0 + VRP1

ΔV : Voltage difference between VLCD63 and of GND.

Reference voltage of negative polarity:

Reference	Formula	Micr0-adjusting rgister	Reference voltage
KVN0	$VLCD63 - \Delta V \times VRN0 / SUMRN$	--	VINN0
KVN1	$VLCD63 - \Delta V \times (VRN0 + 5R) / SUMRN$	PKN0[2:0] = "000"	VINN1
KVN2	$VLCD63 - \Delta V \times (VRN0 + 9R) / SUMRN$	PKN0[2:0] = "001"	
KVN3	$VLCD63 - \Delta V \times (VRN0 + 13R) / SUMRN$	PKN0[2:0] = "010"	
KVN4	$VLCD63 - \Delta V \times (VRN0 + 17R) / SUMRN$	PKN0[2:0] = "011"	
KVN5	$VLCD63 - \Delta V \times (VRN0 + 21R) / SUMRN$	PKN0[2:0] = "100"	
KVN6	$VLCD63 - \Delta V \times (VRN0 + 25R) / SUMRN$	PKN0[2:0] = "101"	
KVN7	$VLCD63 - \Delta V \times (VRN0 + 29R) / SUMRN$	PKN0[2:0] = "110"	
KVN8	$VLCD63 - \Delta V \times (VRN0 + 33R) / SUMRN$	PKN0[2:0] = "111"	
KVN9	$VLCD63 - \Delta V \times (VRN0 + 33R + VRHN) / SUMRN$	PKN1[2:0] = "000"	VINN2
KVN10	$VLCD63 - \Delta V \times (VRN0 + 34R + VRHN) / SUMRN$	PKN1[2:0] = "001"	
KVN11	$VLCD63 - \Delta V \times (VRN0 + 35R + VRHN) / SUMRN$	PKN1[2:0] = "010"	
KVN12	$VLCD63 - \Delta V \times (VRN0 + 36R + VRHN) / SUMRN$	PKN1[2:0] = "011"	
KVN13	$VLCD63 - \Delta V \times (VRN0 + 37R + VRHN) / SUMRN$	PKN1[2:0] = "100"	
KVN14	$VLCD63 - \Delta V \times (VRN0 + 38R + VRHN) / SUMRN$	PKN1[2:0] = "101"	
KVN15	$VLCD63 - \Delta V \times (VRN0 + 39R + VRHN) / SUMRN$	PKN1[2:0] = "110"	
KVN16	$VLCD63 - \Delta V \times (VRN0 + 40R + VRHN) / SUMRN$	PKN1[2:0] = "111"	
KVN17	$VLCD63 - \Delta V \times (VRN0 + 45R + VRHN) / SUMRN$	PKN2[2:0] = "000"	VINN3
KVN18	$VLCD63 - \Delta V \times (VRN0 + 46R + VRHN) / SUMRN$	PKN2[2:0] = "001"	
KVN19	$VLCD63 - \Delta V \times (VRN0 + 47R + VRHN) / SUMRN$	PKN2[2:0] = "010"	
KVN20	$VLCD63 - \Delta V \times (VRN0 + 48R + VRHN) / SUMRN$	PKN2[2:0] = "011"	
KVN21	$VLCD63 - \Delta V \times (VRN0 + 49R + VRHN) / SUMRN$	PKN2[2:0] = "100"	
KVN22	$VLCD63 - \Delta V \times (VRN0 + 50R + VRHN) / SUMRN$	PKN2[2:0] = "101"	
KVN23	$VLCD63 - \Delta V \times (VRN0 + 51R + VRHN) / SUMRN$	PKN2[2:0] = "110"	
KVN24	$VLCD63 - \Delta V \times (VRN0 + 52R + VRHN) / SUMRN$	PKN2[2:0] = "111"	
KVN25	$VLCD63 - \Delta V \times (VRN0 + 68R + VRHN) / SUMRN$	PKN3[2:0] = "000"	VINN4
KVN26	$VLCD63 - \Delta V \times (VRN0 + 69R + VRHN) / SUMRN$	PKN3[2:0] = "001"	
KVN27	$VLCD63 - \Delta V \times (VRN0 + 70R + VRHN) / SUMRN$	PKN3[2:0] = "010"	
KVN28	$VLCD63 - \Delta V \times (VRN0 + 71R + VRHN) / SUMRN$	PKN3[2:0] = "011"	
KVN29	$VLCD63 - \Delta V \times (VRN0 + 72R + VRHN) / SUMRN$	PKN3[2:0] = "100"	
KVN30	$VLCD63 - \Delta V \times (VRN0 + 73R + VRHN) / SUMRN$	PKN3[2:0] = "101"	
KVN31	$VLCD63 - \Delta V \times (VRN0 + 74R + VRHN) / SUMRN$	PKN3[2:0] = "110"	
KVN32	$VLCD63 - \Delta V \times (VRN0 + 75R + VRHN) / SUMRN$	PKN3[2:0] = "111"	
KVN33	$VLCD63 - \Delta V \times (VRN0 + 80R + VRHN) / SUMRN$	PKN4[2:0] = "000"	VINN5
KVN34	$VLCD63 - \Delta V \times (VRN0 + 81R + VRHN) / SUMRN$	PKN4[2:0] = "001"	
KVN35	$VLCD63 - \Delta V \times (VRN0 + 82R + VRHN) / SUMRN$	PKN4[2:0] = "010"	
KVN36	$VLCD63 - \Delta V \times (VRN0 + 83R + VRHN) / SUMRN$	PKN4[2:0] = "011"	
KVN37	$VLCD63 - \Delta V \times (VRN0 + 84R + VRHN) / SUMRN$	PKN4[2:0] = "100"	
KVN38	$VLCD63 - \Delta V \times (VRN0 + 85R + VRHN) / SUMRN$	PKN4[2:0] = "101"	
KVN39	$VLCD63 - \Delta V \times (VRN0 + 86R + VRHN) / SUMRN$	PKN4[2:0] = "110"	
KVN40	$VLCD63 - \Delta V \times (VRN0 + 87R + VRHN) / SUMRN$	PKN4[2:0] = "111"	
KVN41	$VLCD63 - \Delta V \times (VRN0 + 87R + VRHN + VRLN) / SUMRN$	PKN5[2:0] = "000"	VINN6
KVN42	$VLCD63 - \Delta V \times (VRN0 + 91R + VRHN + VRLN) / SUMRN$	PKN5[2:0] = "001"	
KVN43	$VLCD63 - \Delta V \times (VRN0 + 95R + VRHN + VRLN) / SUMRN$	PKN5[2:0] = "010"	
KVN44	$VLCD63 - \Delta V \times (VRN0 + 99R + VRHN + VRLN) / SUMRN$	PKN5[2:0] = "011"	
KVN45	$VLCD63 - \Delta V \times (VRN0 + 103R + VRHN + VRLN) / SUMRN$	PKN5[2:0] = "100"	
KVN46	$VLCD63 - \Delta V \times (VRN0 + 107R + VRHN + VRLN) / SUMRN$	PKN5[2:0] = "101"	
KVN47	$VLCD63 - \Delta V \times (VRN0 + 111R + VRHN + VRLN) / SUMRN$	PKN5[2:0] = "110"	
KVN48	$VLCD63 - \Delta V \times (VRN0 + 115R + VRHN + VRLN) / SUMRN$	PKN5[2:0] = "111"	
KVN49	$VLCD63 - \Delta V \times (VRN0 + 120R + VRHN + VRLN) / SUMRN$	--	VINN7

SUMRN: Total of the negative polarity ladder resistance = 128R + VRHN + VRLN + VRN0 + VRN1

ΔV : Voltage difference between VLCD63 and of GND.

12 MAXIMUM RATINGS

Maximum Ratings (Voltage Referenced to V_{SS})

Symbol	Parameter	Value	Unit
VDD	Supply Voltage	-0.3 to +2.4	V
VDDIO		-0.3 to +4.0	V
VDDEXT		-0.3 to +4.0	V
VCI	Input Voltage	$V_{SS} - 0.3$ to 5.0	V
I	Current Drain Per Pin Excluding V_{DD} and V_{SS}	25	mA
T_A	Operating Temperature	-20 to +70	$^{\circ}\text{C}$
T_{stg}	Storage Temperature	-65 to +150	$^{\circ}\text{C}$

Maximum ratings are those values beyond which damages to the device may occur. Functional operation should be restricted to the limits in the Electrical Characteristics tables or Pin Description section.

This device contains circuitry to protect the inputs against damage due to high static voltages or electric fields; however, it is advised that normal precautions to be taken to avoid application of any voltage higher than maximum rated voltages to this high impedance circuit. For proper operation it is recommended that VCI and Vout be constrained to the range $V_{SS} < V_{DDIO} \leq V_{CI} < V_{OUT}$. Reliability of operation is enhanced if unused input is connected to an appropriate logic voltage level (e.g., either V_{SS} or V_{DDIO}). Unused outputs must be left open. This device may be light sensitive. Caution should be taken to avoid exposure of this device to any light source during normal operation. This device is not radiation protected.

13 DC CHARACTERISTICS

DC Characteristics (Unless otherwise specified, Voltage Referenced to V_{SS} , $V_{DDIO} = 1.65$ to 3.6V , $T_A = -20$ to 70°C)

Symbol	Parameter	Test Condition	Min	Typ	Max	Unit
VDD	System power supply pins of the logic block	Recommend Operating Voltage Possible Operating Voltage	1.65	1.8	1.95	V
VDDIO	Power supply pin of IO pins	Recommend Operating Voltage Possible Operating Voltage	1.4	-	3.6	V
VDDEXT	Auxiliary power supply pin for VDD	Recommend Operating Voltage Possible Operating Voltage	1.65	-	3.6	V
VCI	Booster Reference Supply Voltage Range (3)	Recommend Operating Voltage Possible Operating Voltage	2.5 or VDDIO whichever is higher	-	3.6	V
VGH	Gate driver High Output Voltage Booster efficiency	No panel loading; 4x or 5x booster; ITO for CYP, CYN, VCIX2, VCI and VCHS = 10 Ohm	88	90	-	%
		No panel loading; 6x booster; ITO for CYP, CYN, VCIX2, VCI and VCHS = 10 Ohm	82	84	-	%
VCIX2	VCIX2 primary booster efficiency	No panel loading, ITO for CYP, CYN, VCIX2, VCI and VCHS = 10 Ohm	83	85	-	%
VGL	Gate driver Low Output Voltage		-12.6	-	-3.56	V
VcomH	Vcom High Output Voltage		-	TBD	-	
VcomL	Vcom Low Output Voltage		$-V_{CI1}+0.5$	TBD	-	V
VLCD63	Max. Source Voltage		-	-	5.5	V
Δ VLCD63	Source voltage variation		-2		2	%
V_{OH1}	Logic High Output Voltage	$I_{out} = -100\mu\text{A}$	$0.9 * V_{DDIO}$	-	VDDIO	V
V_{OL1}	Logic Low Output Voltage	$I_{out} = 100\mu\text{A}$	0	-	$0.1 * V_{DDIO}$	V
V_{IH1}	Logic High Input voltage		$0.8 * V_{DDIO}$	-	VDDIO	V
V_{IL1}	Logic Low Input voltage		0	-	$0.2 * V_{DDIO}$	V
I_{OH}	Logic High Output Current Source	$V_{out} = V_{DD} - 0.4\text{V}$	50	-	-	μA
I_{OL}	Logic Low Output Current Drain	$V_{out} = 0.4\text{V}$	-	-	-50	μA
I_{OZ}	Logic Output Tri-state Current Drain Source		-1	-	1	μA
I_{IL}/I_{IH}	Logic Input Current		-1	-	1	μA
C_{IN}	Logic Pins Input Capacitance		-	5	7.5	pF
f_{DOTCLK}	DOTCLK frequency	Display is ON	1		12	MHz

R_{SON}	Source drivers output resistance		-	1	TBD	$k\Omega$
R_{GON}	Gate drivers output resistance		-	500	TBD	Ω
R_{CON}	Vcom output resistance		-	200	TBD	Ω
$I_{dp}(262k)$	VCI display current for 262k	Full color current consumption, without panel loading	-	2.4	-	mA
$I_{dp}(8\text{ color})$	VCI display current for 8 color mode	Current consumption for 8 color partial display, without panel loading	-	480	-	μA
I_{slp}	VCI sleep mode current	Oscillator off, no source/gate output, Ram read write halt.	-	50	-	μA

14 AC CHARACTERISTICS

Table 10 – Parallel 6800 Timing Characteristics ($T_A = -20$ to 70°C , $V_{DDIO} = 1.65\text{V}$ to 3.6V , $V_{DDEXT} = 1.65\text{V} - 1.95\text{V}$, $\text{REGVDD}='L'$)

Symbol	Parameter	Min	Typ	Max	Unit
t_{cycle}	Clock Cycle Time (write cycle)	100	-	-	ns
t_{cycle}	Clock Cycle Time (read cycle)	1000	-	-	ns
t_{AS}	Address Setup Time	0	-	-	ns
t_{AH}	Address Hold Time	0	-	-	ns
t_{DSW}	Data Setup Time	5	-	-	ns
t_{DHW}	Data Hold Time	5	-	-	ns
t_{ACC}	Data Access Time	250	-	-	ns
t_{OH}	Output Hold time	100	-	-	ns
PWCS_L	Pulse width /CS low (write cycle)	50	-	-	ns
PWCS_H	Pulse width /CS high (write cycle)	50	-	-	ns
PWCS_L	Pulse width /CS low (read cycle)	500	-	-	ns
PWCS_H	Pulse width /CS high (read cycle)	500	-	-	ns
t_R	Rise time	-	-	4	ns
t_F	Fall time	-	-	4	ns

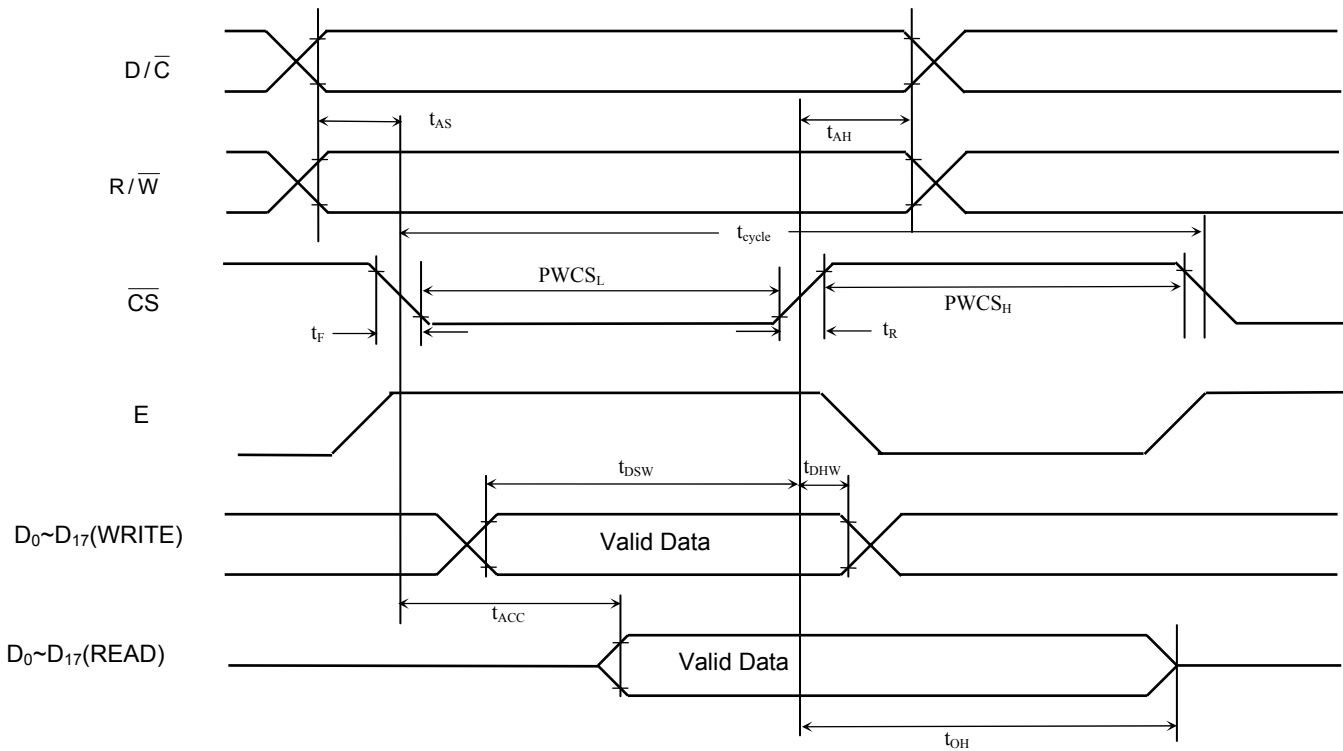
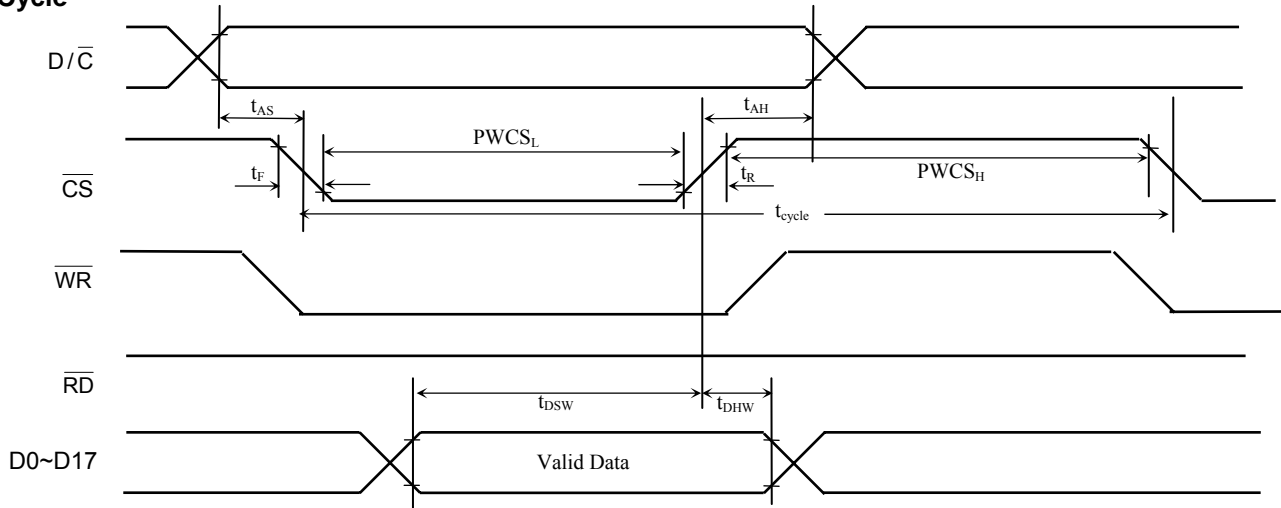


Figure 2 –Parallel 6800-series Interface Timing Characteristics

Table 11 – Parallel 8080 Timing Characteristics ($T_A = -20$ to 70°C , $V_{\text{DDIO}} = 1.65\text{V}$ to 3.6V , $V_{\text{DDEXT}} = 1.65\text{V}$ to 1.95V , $\text{REGVDD} = 'L'$)

Symbol	Parameter	Min	Typ	Max	Unit
t_{cycle}	Clock Cycle Time (write cycle)	100	-	-	ns
t_{cycle}	Clock Cycle Time (read cycle)	1000	-	-	ns
t_{AS}	Address Setup Time	0	-	-	ns
t_{AH}	Address Hold Time	0	-	-	ns
t_{DSW}	Data Setup Time	5	-	-	ns
t_{DHW}	Data Hold Time	5	-	-	ns
t_{ACC}	Data Access Time	250	-	-	ns
t_{OH}	Output Hold time	100	-	-	ns
PWCS_L	Pulse Width /CS low (write cycle)	50	-	-	ns
PWCS_H	Pulse Width /CS high (write cycle)	500	-	-	ns
PWCS_L	Pulse Width /CS low (read cycle)	50	-	-	ns
PWCS_H	Pulse Width /CS high (read cycle)	500	-	-	ns
t_R	Rise time	-	-	4	ns
t_F	Fall time	-	-	4	ns

Write Cycle



Read Cycle

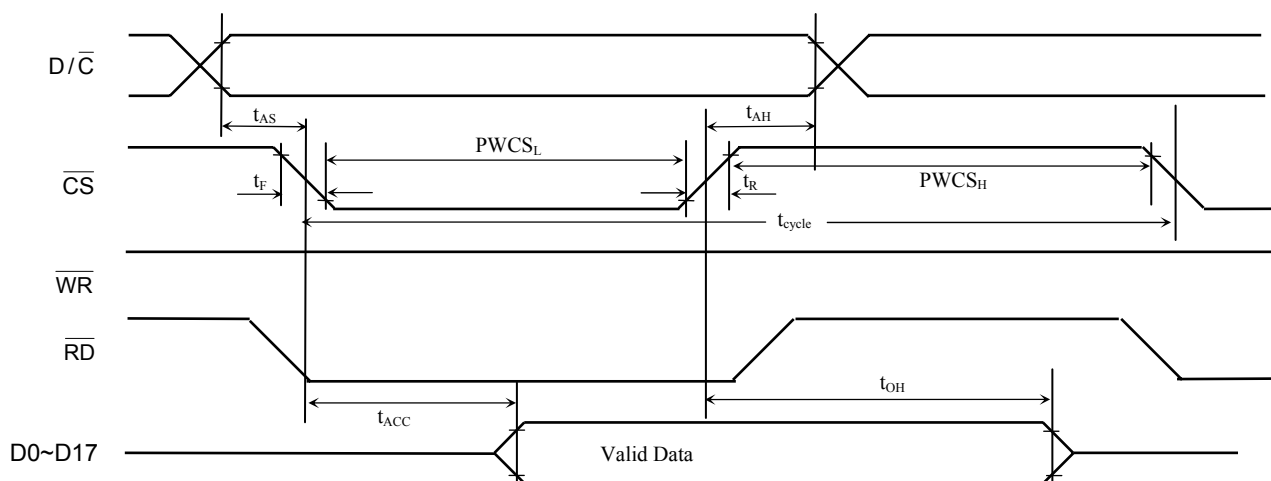


Figure 3 –Parallel 8080-series Interface Timing Characteristics

Table 12 - Serial Timing Characteristics ($T_A = -20$ to 70°C , $V_{DDIO} = 1.65\text{V}$ to 3.6V , $V_{DDEXT} = 1.65\text{V}$ to 1.95V , $\text{REGVDD} = 'L'$)

Symbol	Parameter	Min	Typ	Max	Unit
t_{cycle}	Clock Cycle Time	-	-	-	ns
f_{CLK}	Serial Clock Cycle Time SPI Clock tolerance = +/- 2 ppm	-	-	13	MHz
t_{AS}	Register select Setup Time	2	-	-	ns
t_{AH}	Register select Hold Time	0	-	-	ns
t_{CSS}	Chip Select Setup Time	2	-	-	ns
t_{CSH}	Chip Select Hold Time	0	-	-	ns </td
t_{DSW}	Write Data Setup Time	2.5	-	-	ns
t_{DHW}	Write Data Hold Time	0	-	-	ns
t_{CLKL}	Clock Low Time	4	-	-	ns
t_{CLKH}	Clock High Time	-	-	-	ns
t_{R}	Rise time	-	-	4	ns
t_{F}	Fall time	-	-	4	ns

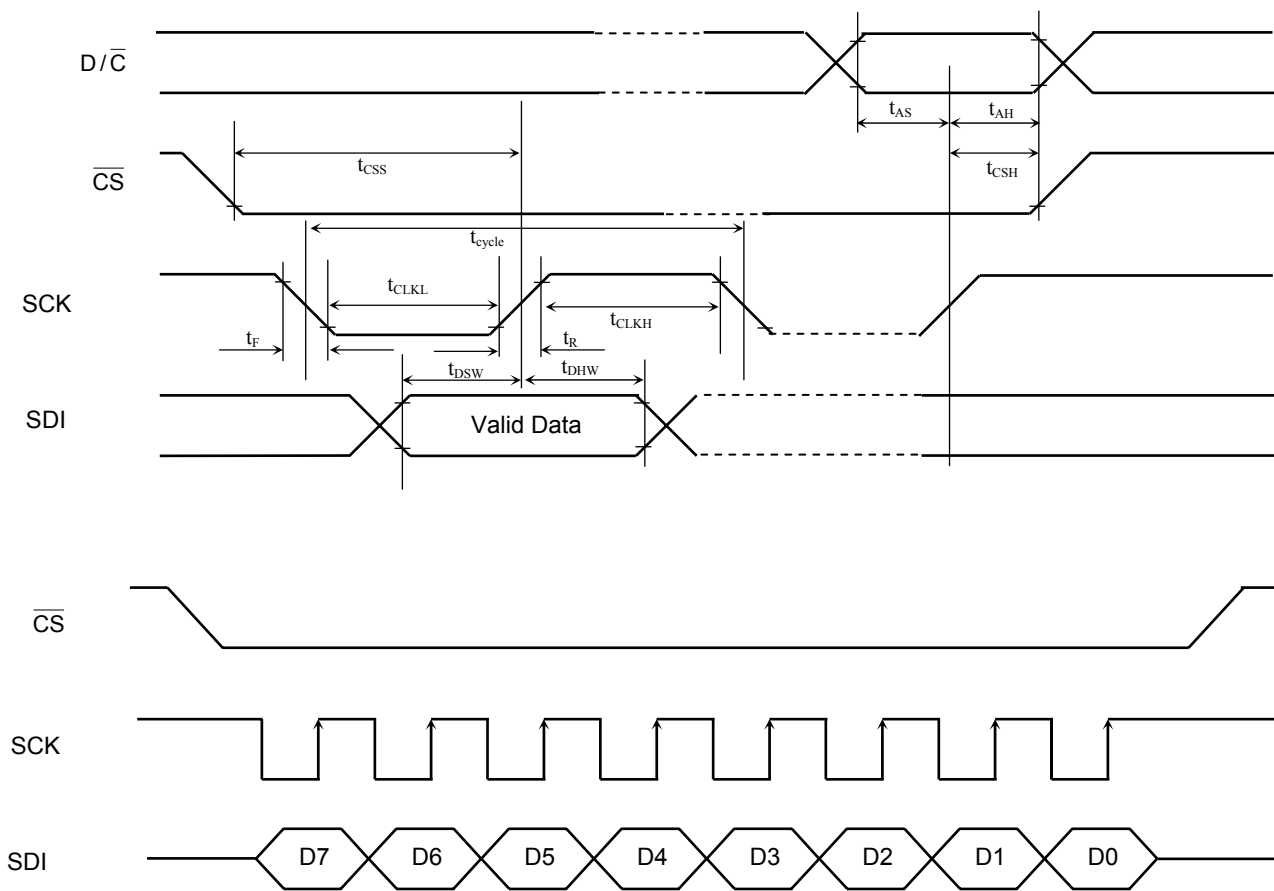


Figure 4 – 4 wire Serial Timing Characteristics

15 GDDRAM Address

	RL=1	S0	S1	S2	S3	S4	S5	S6	S7	S8	...	S714	S715	S716	S717	S718	S719	
	RL=0	S719	S718	S717	S716	S715	S714	S713	S712	S711	...	S5	S4	S3	S2	S1	S0	
	BGR=0	R	G	B	R	G	B	R	G	B	...	R	G	B	R	G	B	
	BGR=1	B	G	R	B	G	R	B	G	R	...	B	G	R	B	G	R	
TB=1	TB=0																	
G0	G319	0,0			0,1			0,2			...	0,238			0,239			0
G1	G318	1,0			1,1			1,2			...	1,238			1,239			1
G2	G317	2,0			2,1			2,2			...	2,238			2,239			2
G3	G316	3,0			3,1			3,2			...	3,238			3,239			3
G4	G315	4,0			4,1			4,2			...	4,238			4,239			4
.
.
.
G316	G3	316,0			316,1			316,2			...	316,238			316,239			316
G317	G2	317,0			317,1			317,2			...	317,238			317,239			317
G318	G1	318,0			318,1			318,2			...	318,238			318,239			318
G319	G0	319,0			319,1			319,2			...	319,238			319,239			319
Horizontal address		0			1			2			...	238			239			

Remark : The address is in yyxxH format, where yy is the vertical address and xx is the horizontal address

16 Interface Mapping

1) Mapping for Writing an Instruction

Interface	Cycle	Hardware pins																	
		D17	D16	D15	D14	D13	D12	D11	D10	D9	D8	D7	D6	D5	D4	D3	D2	D1	D0
18 bits		IB15	IB14	IB13	IB12	IB11	IB10	IB9	IB8	x	IB7	IB6	IB5	IB4	IB3	IB2	IB1	IB0	x
16 bits		IB15	IB14	IB13	IB12	IB11	IB10	IB9	IB8		IB7	IB6	IB5	IB4	IB3	IB2	IB1	IB0	
9 bits	1 st										IB15	IB14	IB13	IB12	IB11	IB10	IB9	IB8	x
	2 nd										IB7	IB6	IB5	IB4	IB3	IB2	IB1	IB0	x
8 bits	1 st										IB15	IB14	IB13	IB12	IB11	IB10	IB9	IB8	
	2 nd										IB7	IB6	IB5	IB4	IB3	IB2	IB1	IB0	

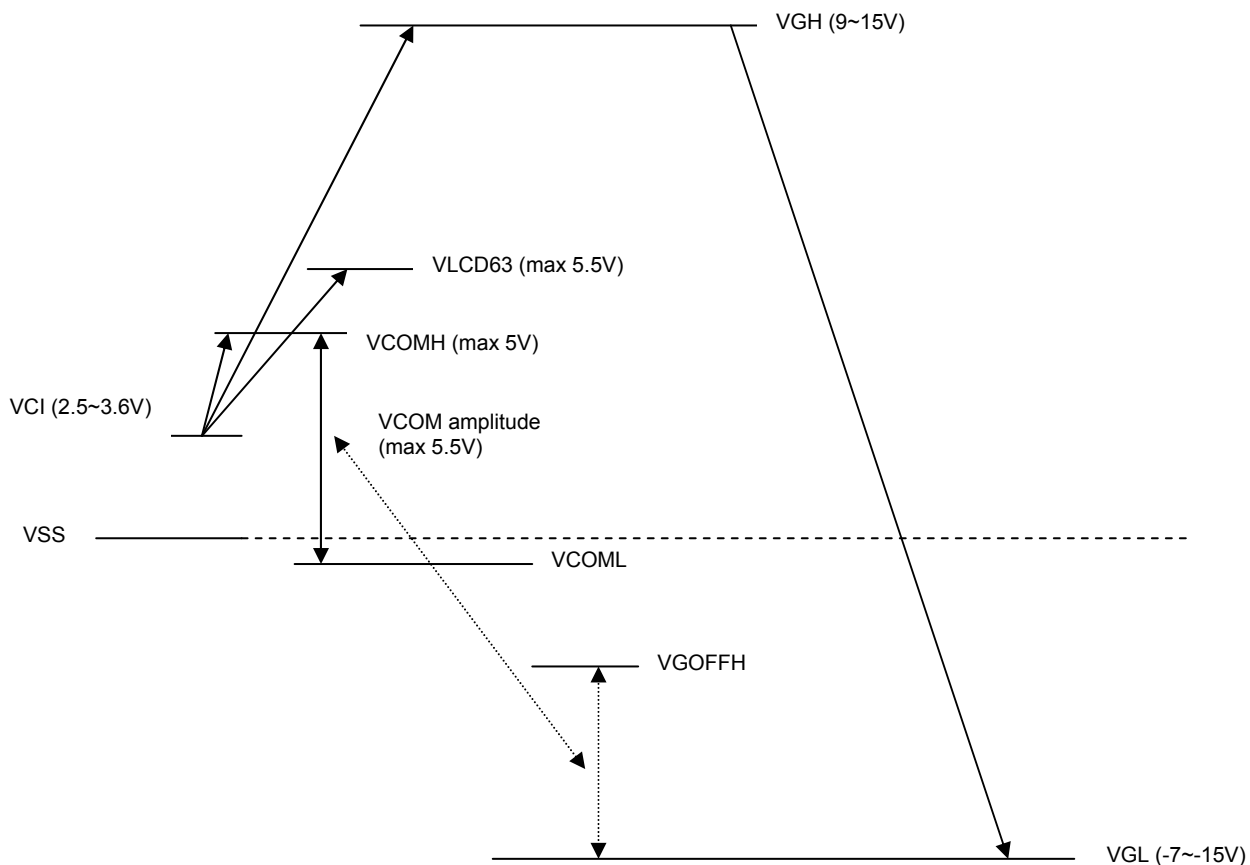
Remark : x Don't care bits
 Not connected pins

2) Mapping for Writing Pixel Data(s)

Interface	Color mode	Cycle	Hardware pins																				
			D17	D16	D15	D14	D13	D12	D11	D10	D9	D8	D7	D6	D5	D4	D3	D2	D1	D0			
18 bits	262k		R5	R4	R3	R2	R1	R0	G5	G4	G3	G2	G1	G0	B5	B4	B3	B2	B1	B0			
16 bits	262k	1 st	R5	R4	R3	R2	R1	R0	x	x		G5	G4	G3	G2	G1	G0	x	x				
		2 nd	B5	B4	B3	B2	B1	B0	x	x		R5	R4	R3	R2	R1	R0	x	x				
		3 rd	G5	G4	G3	G2	G1	G0	x	x		B5	B4	B3	B2	B1	B0	x	x				
		1 st	R5	R4	R3	R2	R1	R0	x	x		G5	G4	G3	G2	G1	G0	x	x				
		2 nd	x	x	x	x	x	x	x	x		B5	B4	B3	B2	B1	B0	x	x				
		2 nd	R5	R4	R3	R2	R1	R0	x	x		G5	G4	G3	G2	G1	G0	x	x				
	65k		B5	B4	B3	B2	B1	B0	x	x		x	x	x	x	x	x	x					
			R4	R3	R2	R1	R0	G5	G4	G3		G2	G1	G0	B4	B3	B2	B1	B0				
9 bits	262k	1 st													R5	R4	R3	R2	R1	R0	G5	G4	G3
		2 nd													G2	G1	G0	B5	B4	B3	B2	B1	B0
8 bits	262k	1 st													R5	R4	R3	R2	R1	R0	x	x	
		2 nd													G5	G4	G3	G2	G1	G0	x	x	
		3 rd													B5	B4	B3	B2	B1	B0	x	x	
	65k	1 st													R4	R3	R2	R1	R0	G5	G4	G3	
		2 nd												G2	G1	G0	B4	B3	B2	B1	B0		

Remark : x Don't care bits
 Not connected pins

17 SSD1289 OUTPUT VOLTAGE RELATIONSHIP



18 APPLICATION CIRCUIT

Figure 3. Booster Capacitors

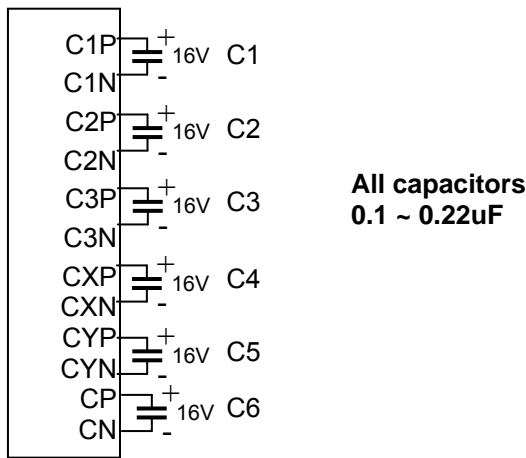
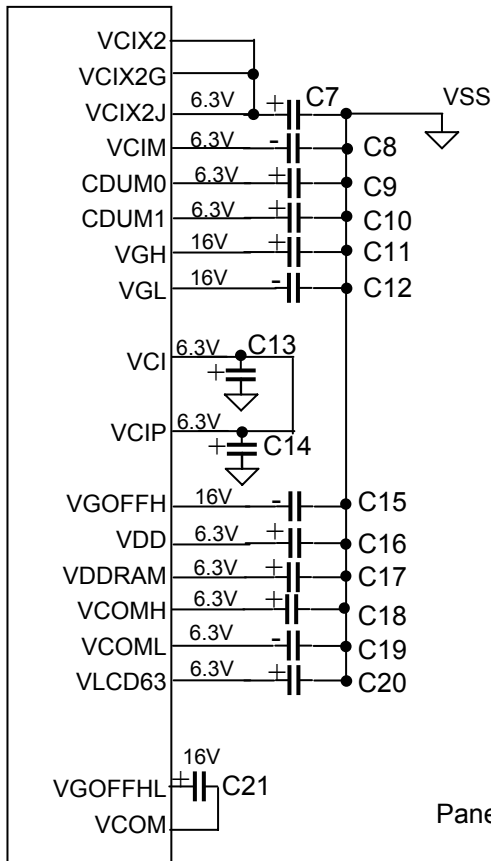


Figure 4. Filtering and Charge Sharing Capacitors



Capacitor for VCIX2/VCIX2G/VCIX2J = 3.3uF ~ 4.7uF.
All other capacitors 1.0uF ~ 2.2uF.
2.2uF is preferred for better display and power consumption.
Capacitors on VGOFFH, VGOFFHL are optional which depend on application.

Capacitors on CDUM0 and CDUM1 are for power saving.

VCIX2 should be separated with VCIX2G/VCIX2J at ITO layout to provide noise free path.
VCI should be separated with VCIP at ITO layout to provide noise free path.
VSS should be separated with VCHS, AVSS and VSSRC at ITO layout to provide noise free path.

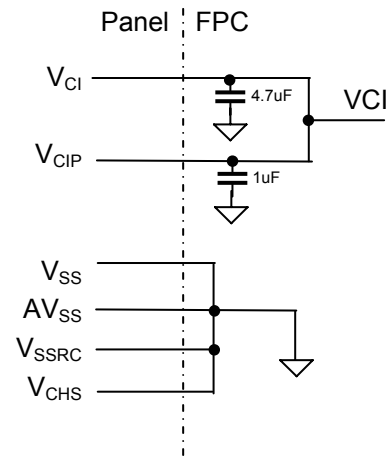
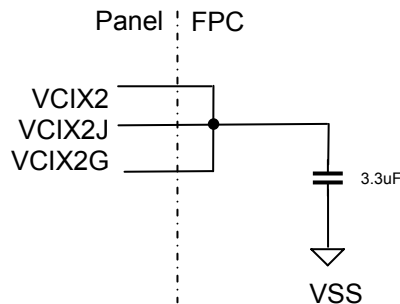
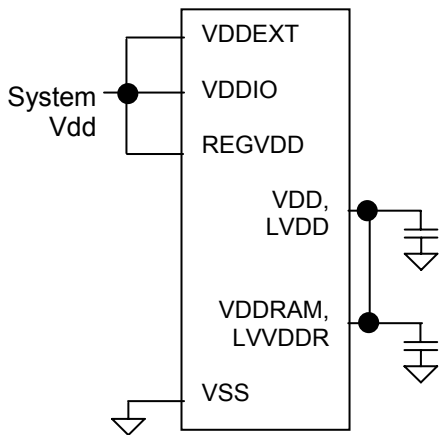
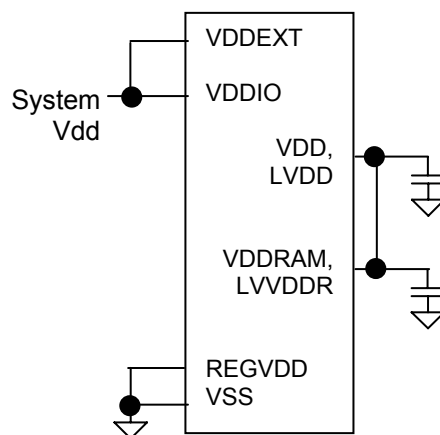


Figure 5. Power Supply Pins Connections

3.6V ≥ System Vdd > 1.95V,
1.65V ≥ System Vdd > 1.4V



1.95V ≥ System Vdd > 1.65V



BOM of the external components

Component	Quantity	Location
Cap 0.22uF	6	C1 – C6
Cap 1uF	1	C14
Cap 2.2uF	13	C8 – C12, C15 – C21
Cap 3.3uF	1	C7
Cap 4.7uF	1	C13

Figure 6. Panel Connection Example

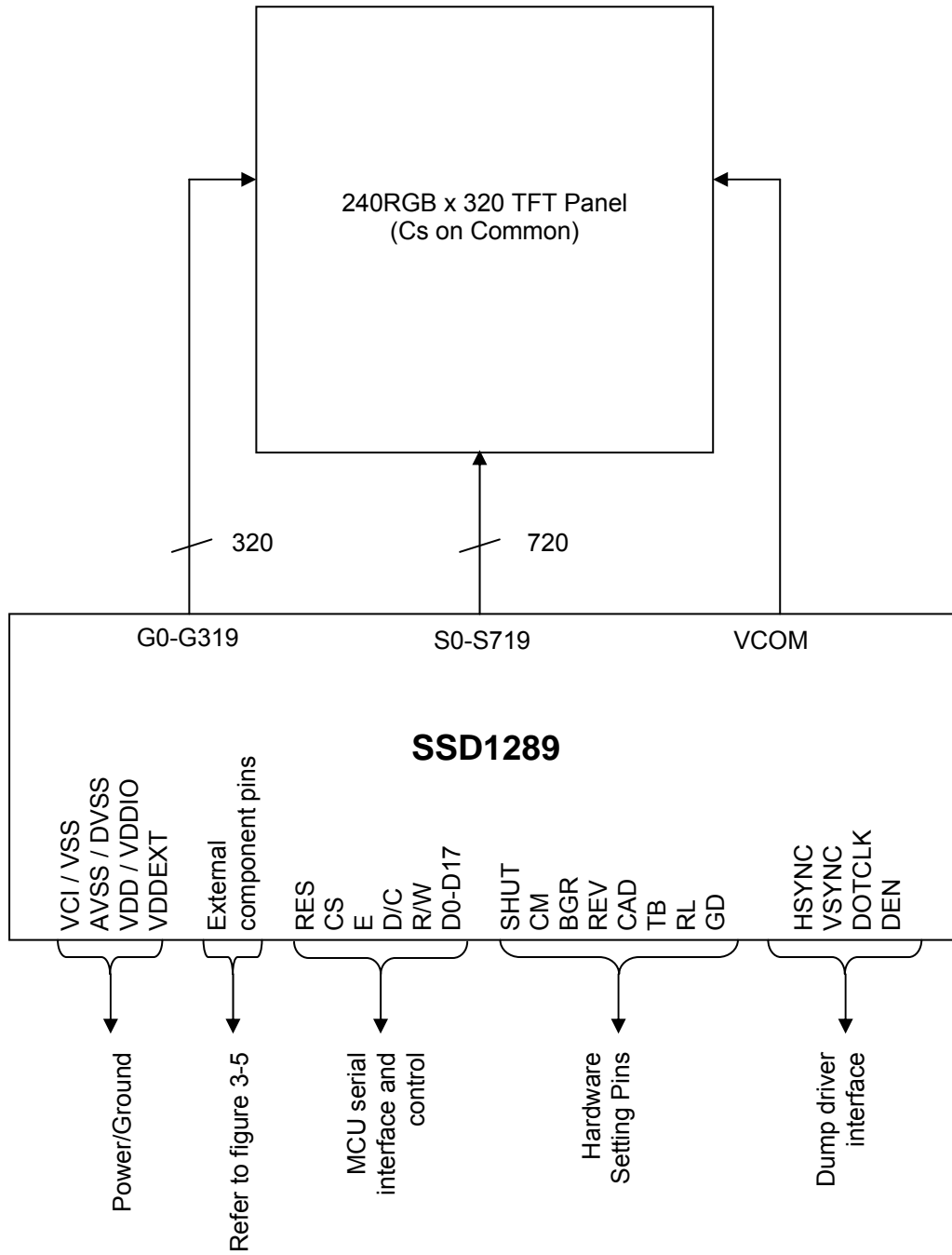
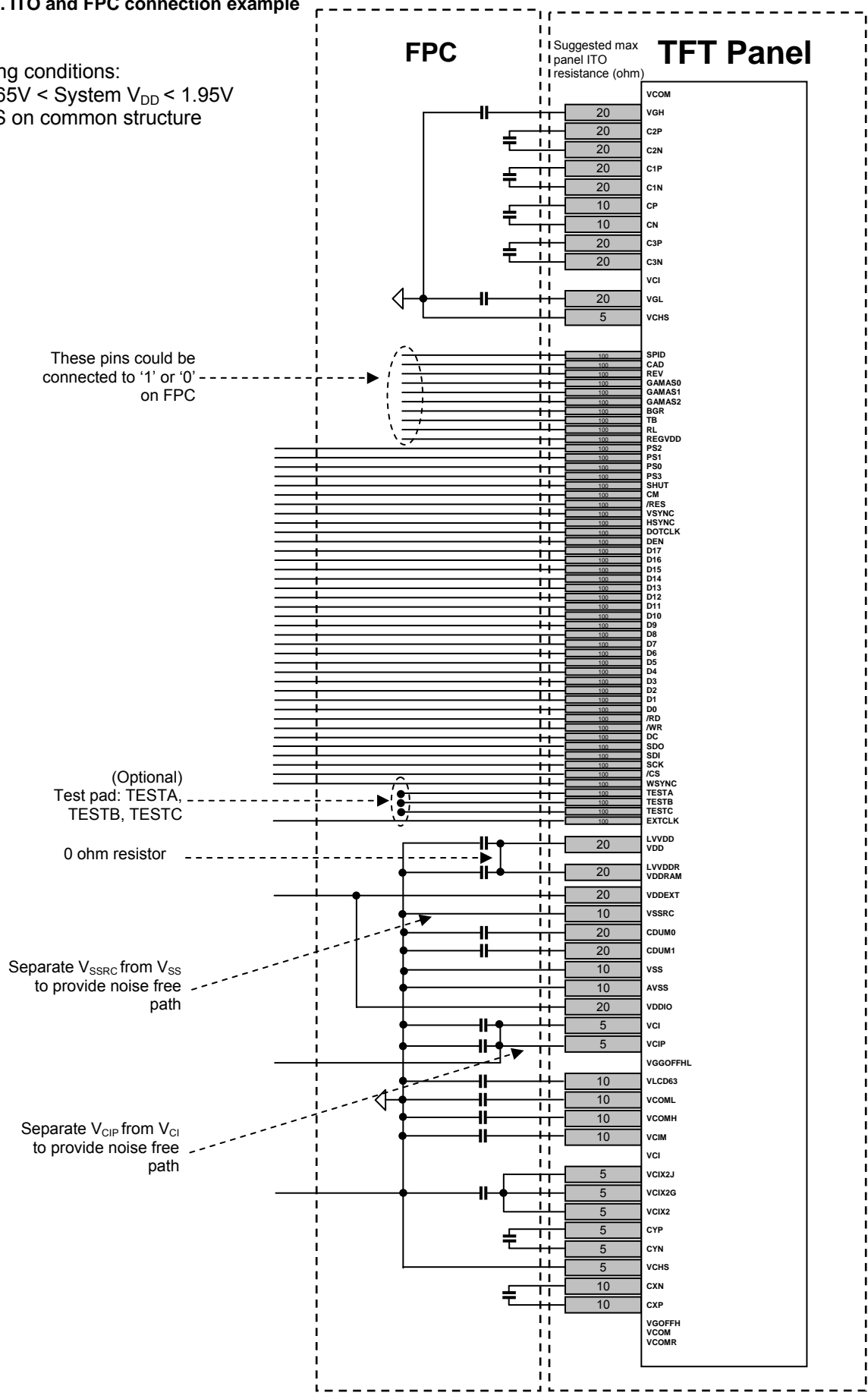


Figure 7. ITO and FPC connection example

Operating conditions:

- 1.65V < System V_{DD} < 1.95V
- CS on common structure



Solomon Systech reserves the right to make changes without further notice to any products herein. Solomon Systech makes no warranty, representation or guarantee regarding the suitability of its products for any particular purpose, nor does Solomon Systech assume any liability arising out of the application or use of any product or circuit, and specifically disclaims any and all liability, including without limitation consequential or incidental damages. "Typical" parameters can and do vary in different applications. All operating parameters, including "Typicals" must be validated for each customer application by customer's technical experts. Solomon Systech does not convey any license under its patent rights nor the rights of others. Solomon Systech products are not designed, intended, or authorized for use as components in systems intended for surgical implant into the body, or other applications intended to support or sustain life, or for any other application in which the failure of the Solomon Systech product could create a situation where personal injury or death may occur. Should Buyer purchase or use Solomon Systech products for any such unintended or unauthorized application, Buyer shall indemnify and hold Solomon Systech and its offices, employees, subsidiaries, affiliates, and distributors harmless against all claims, costs, damages, and expenses, and reasonable attorney fees arising out of, directly or indirectly, any claim of personal injury or death associated with such unintended or unauthorized use, even if such claim alleges that Solomon Systech was negligent regarding the design or manufacture of the part.

<http://www.solomon-systech.com>