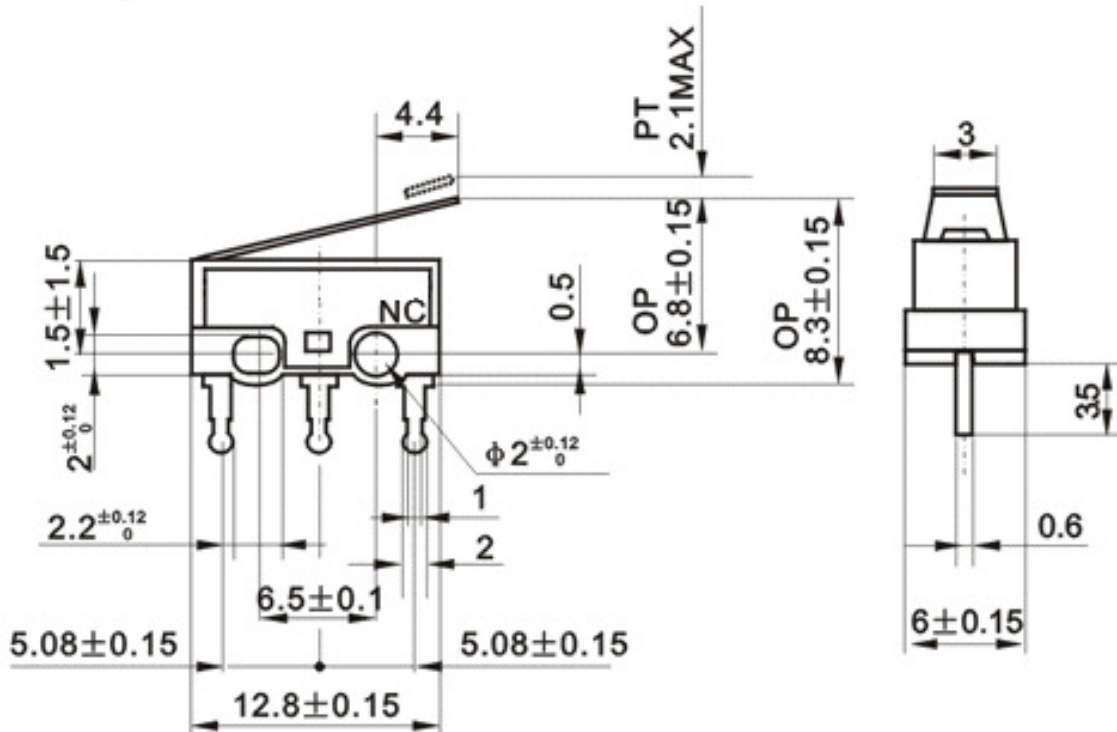




Series : Micro switch
Name : WK1-04A

WK1-04A



Pin Diagram

Technical details

Temperature	-40 to 70 °C	Withstand Voltage	AC 250V, (50 Hz) / min
Rated load	2 A 125 VAC 0.4 A 60 VDC	Actuating Force	60 - 70
Contact Resistance	≤ 0.02 Ω	Life	100000
Insulation Resistance	≥ 100 MΩ		